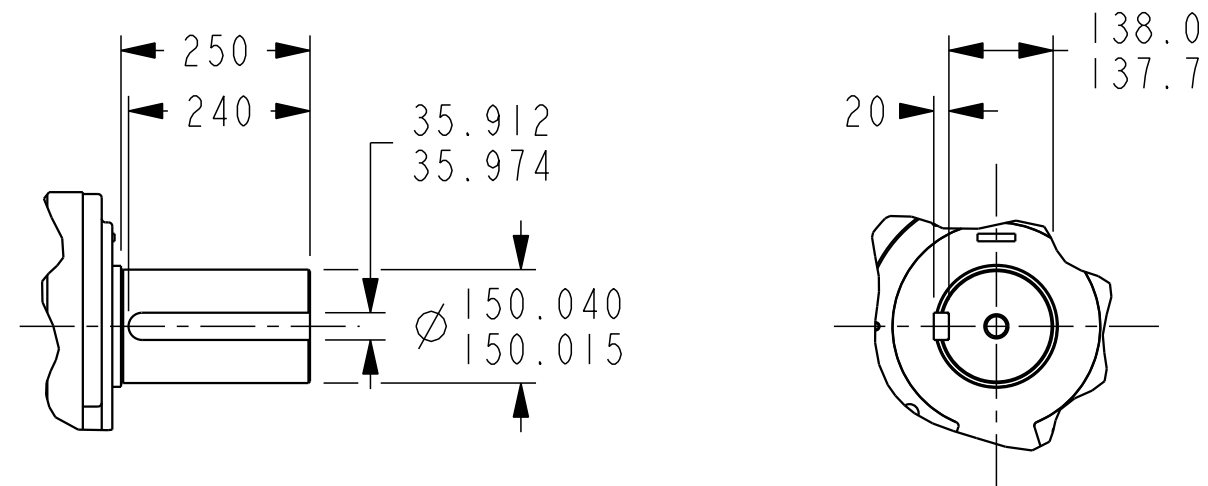
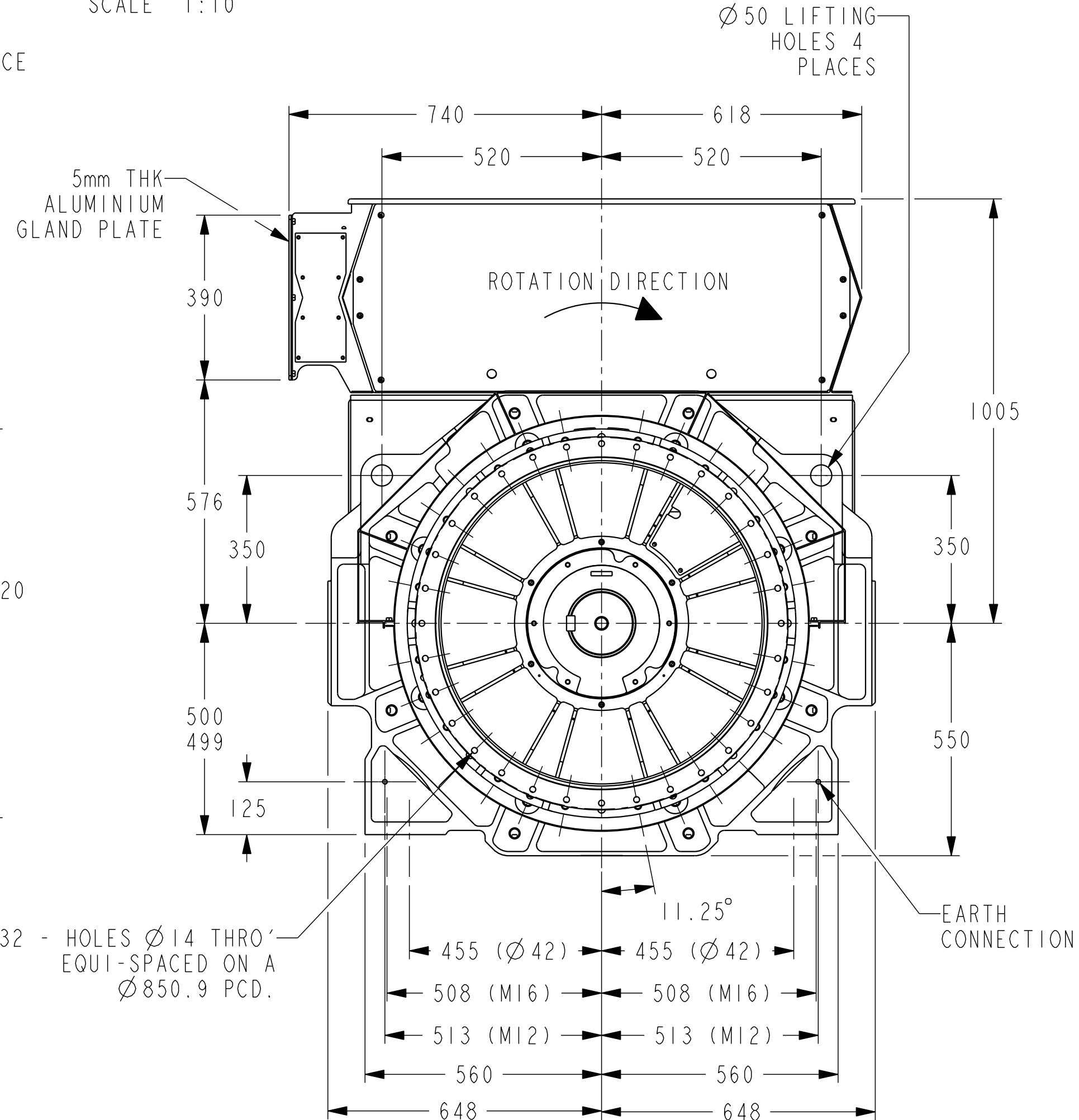
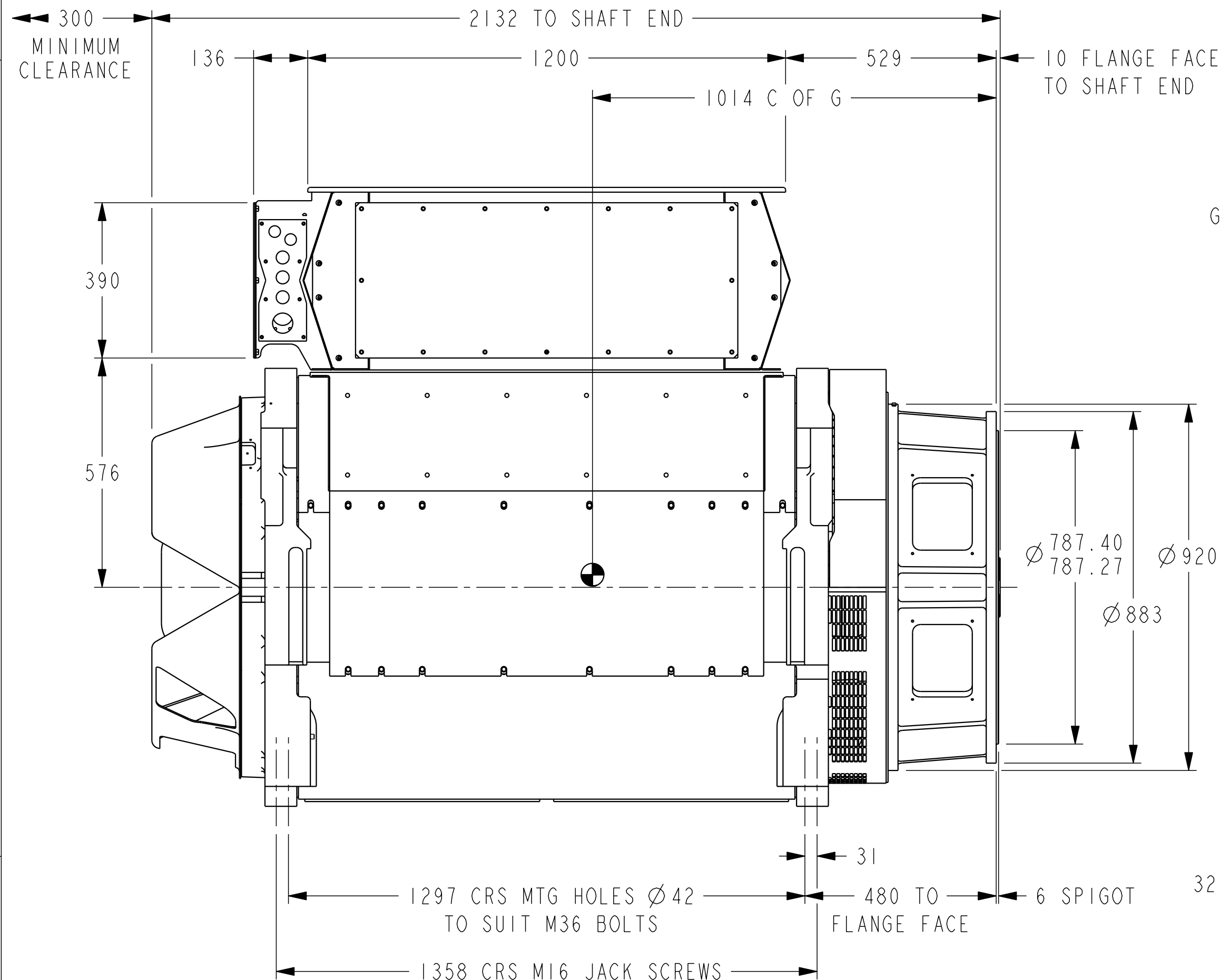


REL NO	REV	NO	REVISION	DWN	CKD	APVD	DATE
ECO-167543	C	1	DRAWING BORDER AND DIMENSIONING SCHEME UPDATED	AS	AS	D.LEE	24JAN17

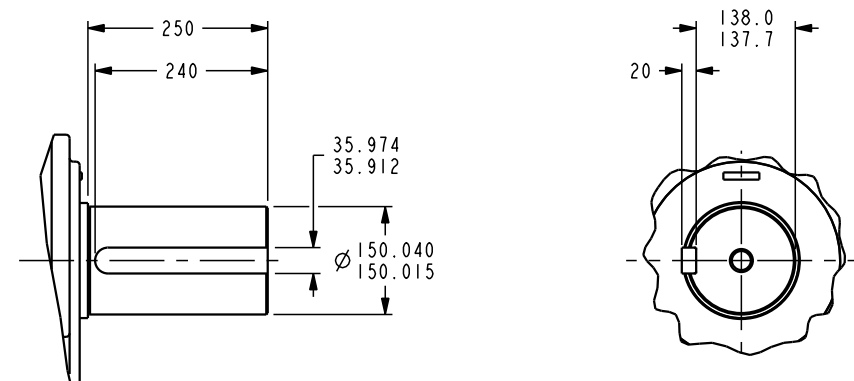
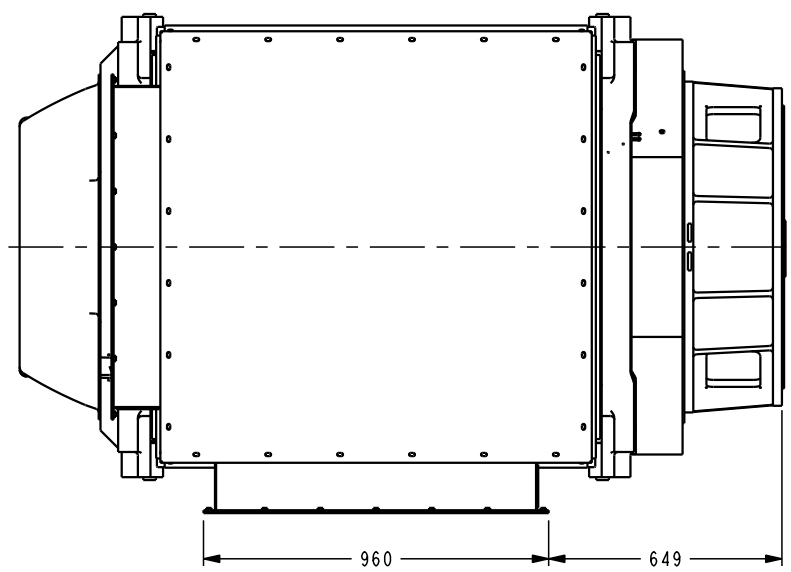


2 BEARING DETAIL
SCALE 1:10

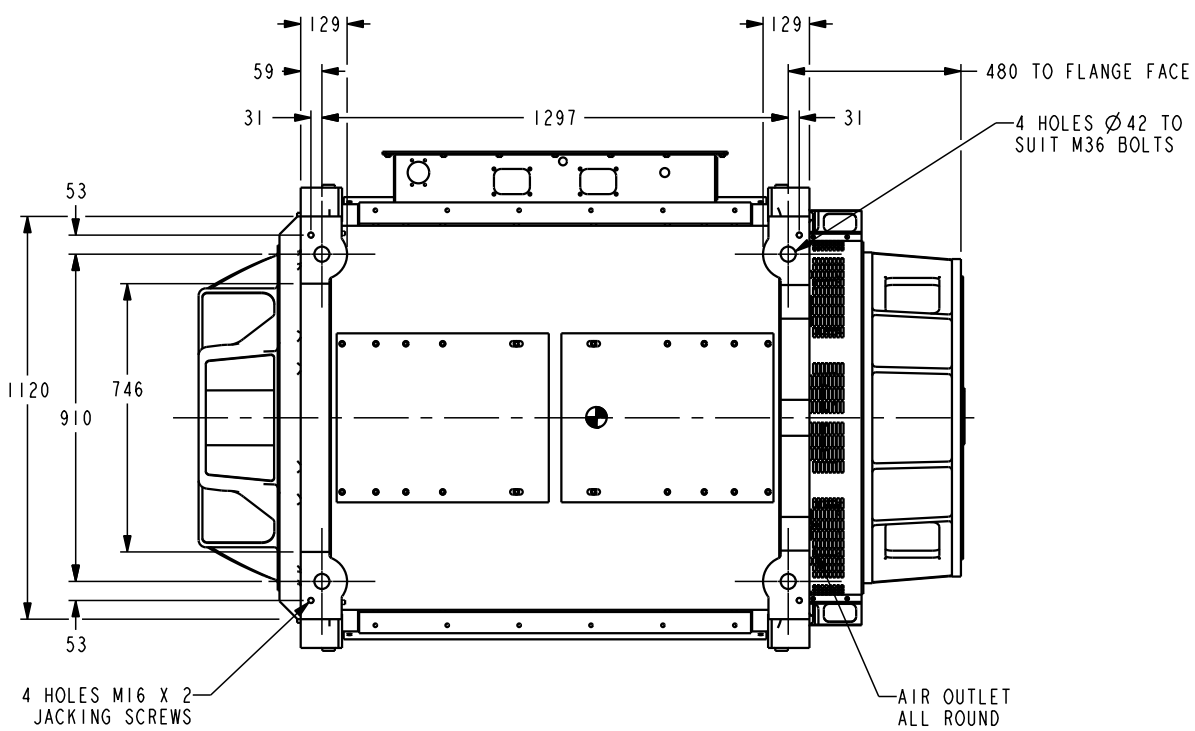
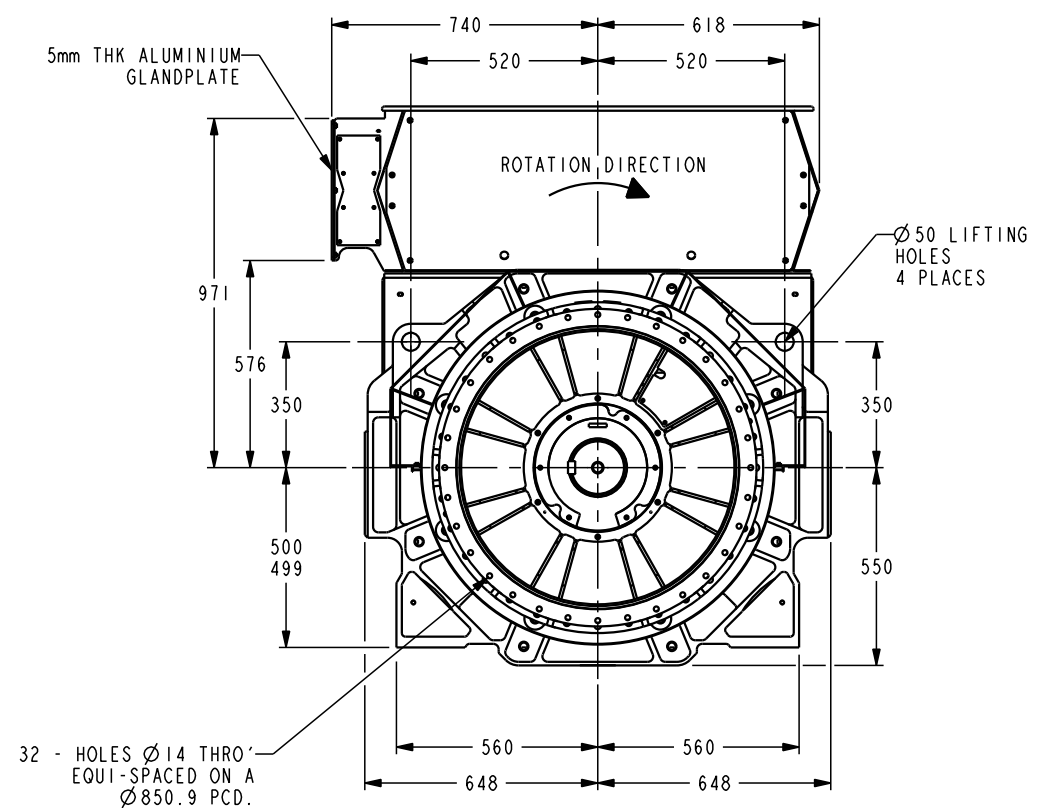
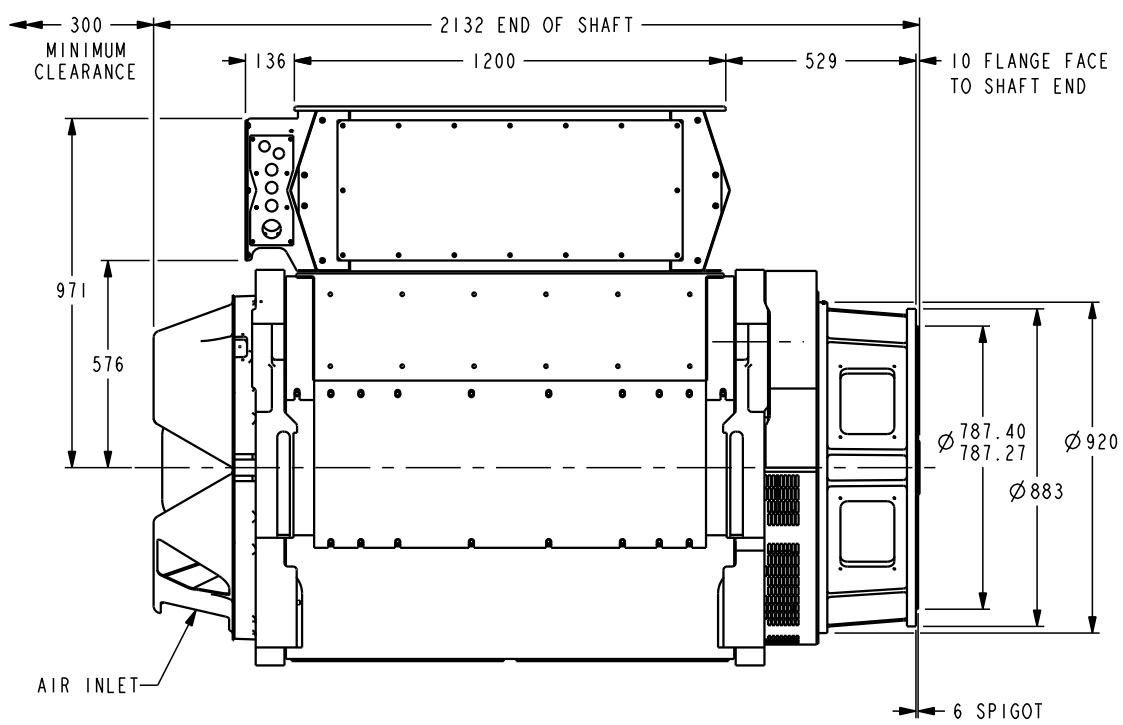
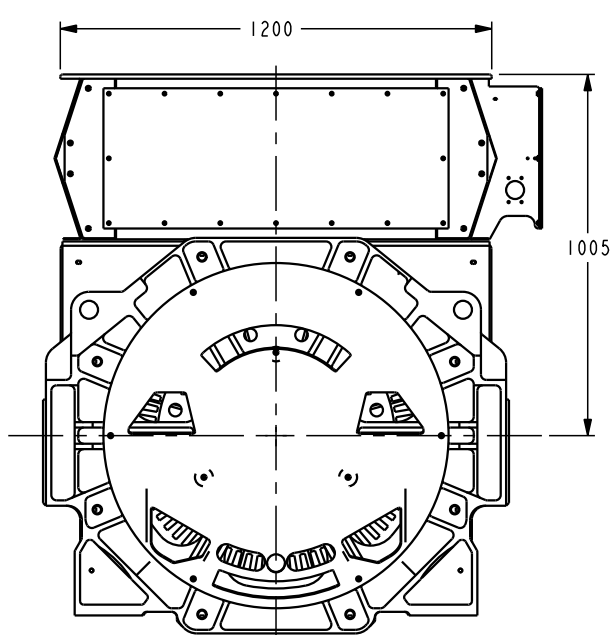
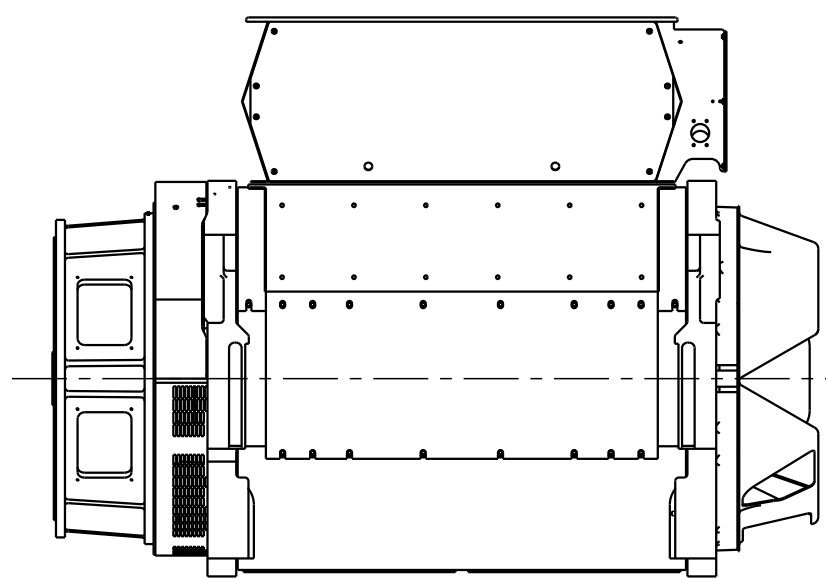


NOMINAL WEIGHT BASED ON CAD MODEL 5518KG; NOT FOR INSPECTION

UNLESS OTHERWISE SPECIFIED, ALL DIMENSIONS ARE IN MILLIMETERS	SIM TO	DWN RM		CUMMINS GENERATOR TECHNOLOGIES	
	DO NOT SCALE PRINT	CKD RM		DRAWING, GENERAL ASSEMBLY	
SCALE 1:10		APVD AS	SITE CODE	P80 HV R CORE / INTEGRATED FEET / SAE00 ADAPTOR	
THIS DOCUMENT (AND THE INFORMATION SHOWN THEREON) IS CONFIDENTIAL AND PROPRIETARY AND SHALL NOT BE DISCLOSED TO OTHERS IN HARD COPY OR ELECTRONIC FORM, REPRODUCED BY ANY MEANS, OR USED FOR ANY PURPOSE WITHOUT WRITTEN CONSENT OF CUMMINS INC.	FOR INTERPRETATION OF DIMENSIONING AND TOLERANCING, SEE ASME Y14.5-2009	DATE 05FEB07	STA	DWG SIZE A2	80-2378
		FIRST USED ON			CAD SHEET 1 of 2



2 BEARING SHAFT DETAIL
SCALE 1:5



NOMINAL WEIGHT BASED ON CAD MODEL 5518KG NOT FOR INSPECTION

UNLESS OTHERWISE SPECIFIED, ALL DIMENSIONS ARE IN MILLIMETERS	SCALE 1:10	DATE 05FEB07	APP'D AS	DATE 05FEB07	APP'D AS	DATE 05FEB07	DATE 05FEB07
DO NOT SCALE PRINT	DO NOT SCALE PRINT	DO NOT SCALE PRINT	DO NOT SCALE PRINT	DO NOT SCALE PRINT	DO NOT SCALE PRINT	DO NOT SCALE PRINT	DO NOT SCALE PRINT
CUMMINS GENERATOR TECHNOLOGIES			DRAWING, GENERAL ASSEMBLY				
P80 HW R CORE / INTEGRATED FEET / SAE60 ADAPTOR			STA AO 80-2378				
2 OF 2			2 OF 2				