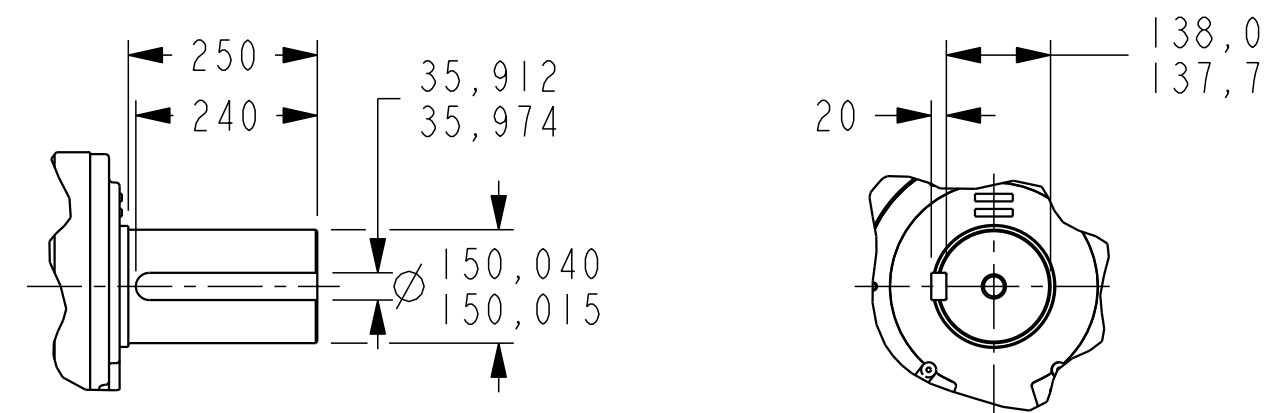
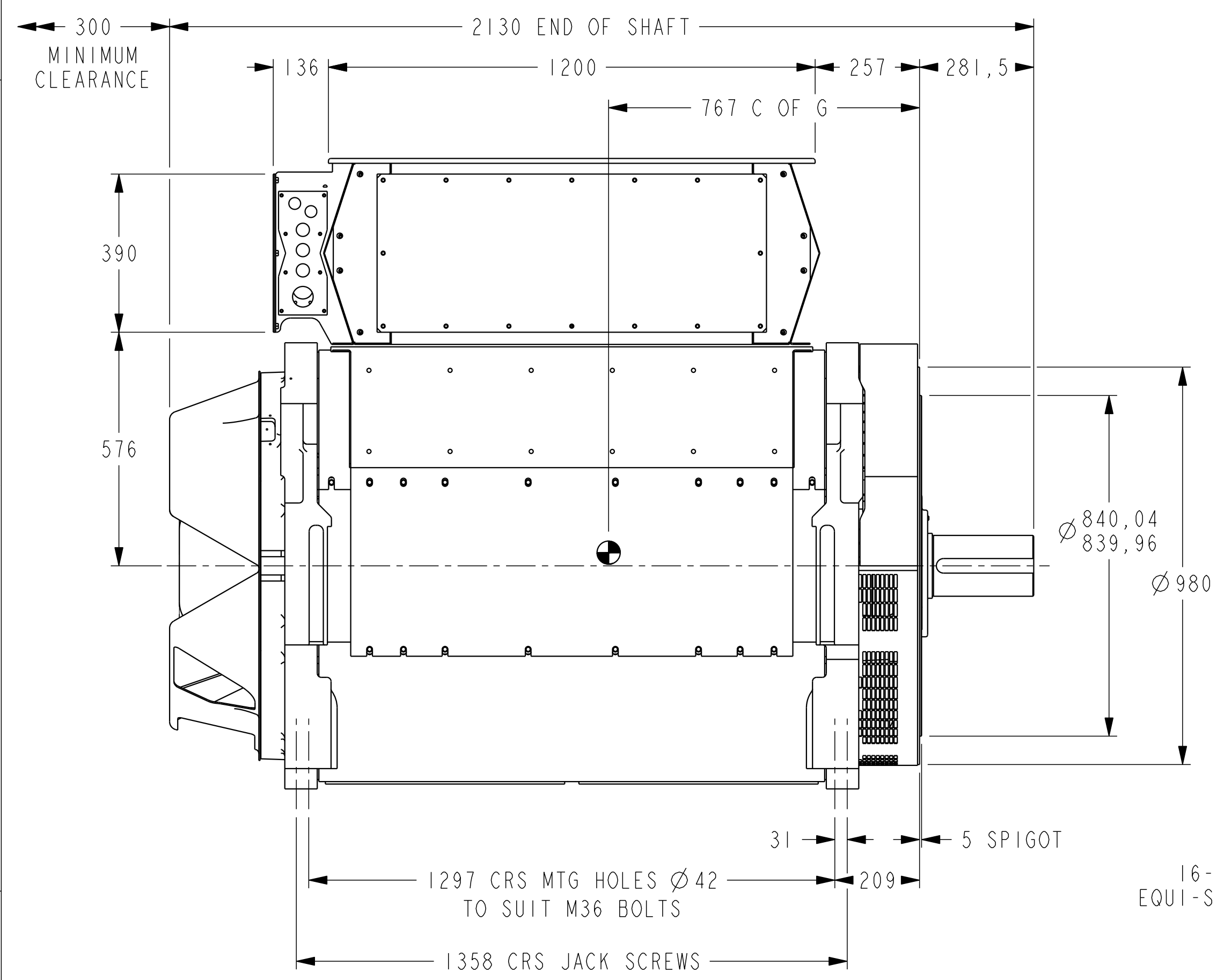


REL NO	REV	NO	REVISION	DWN	CKD	APVD	DATE
ECO-169830	B	1	DRAWING BORDER AND DIMENSIONING SCHEME UPDATED	AS	AS	T.CLARKE	11MAY17



2 BEARING DETAIL SCALE 1:10

Ø50 LIFTING HOLES 4 PLACES



5MM THK ALUMINIUM GLAND PLATE

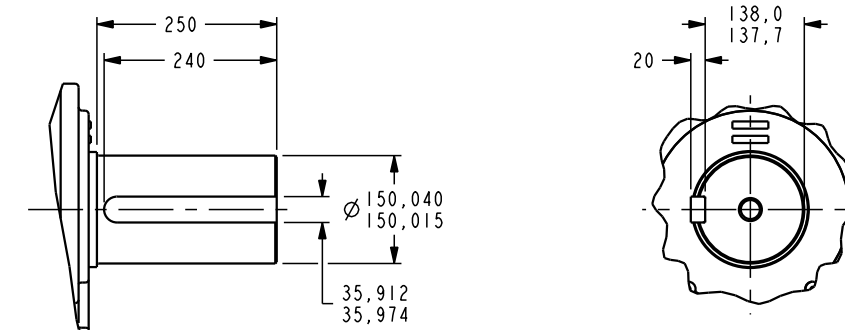
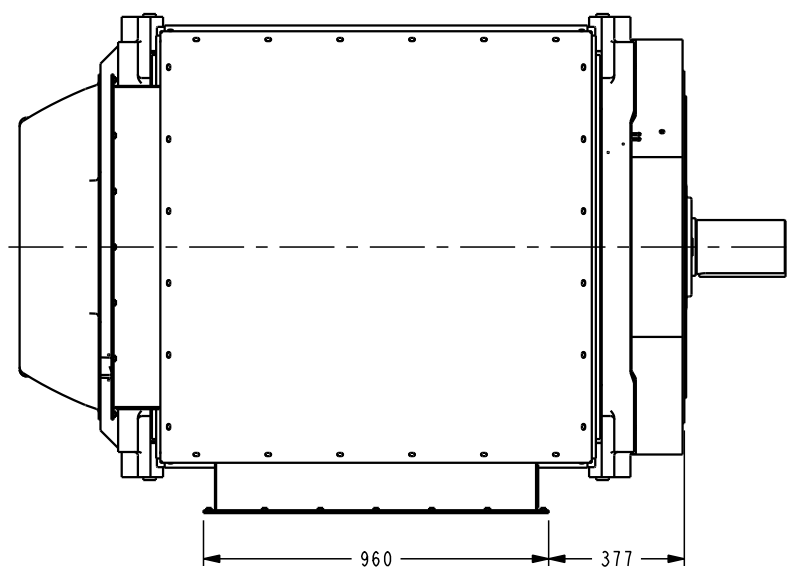
ROTATION DIRECTION

16-HOLES M16 X 32 DEEP EQUI-SPACED ON AN 880 PCD

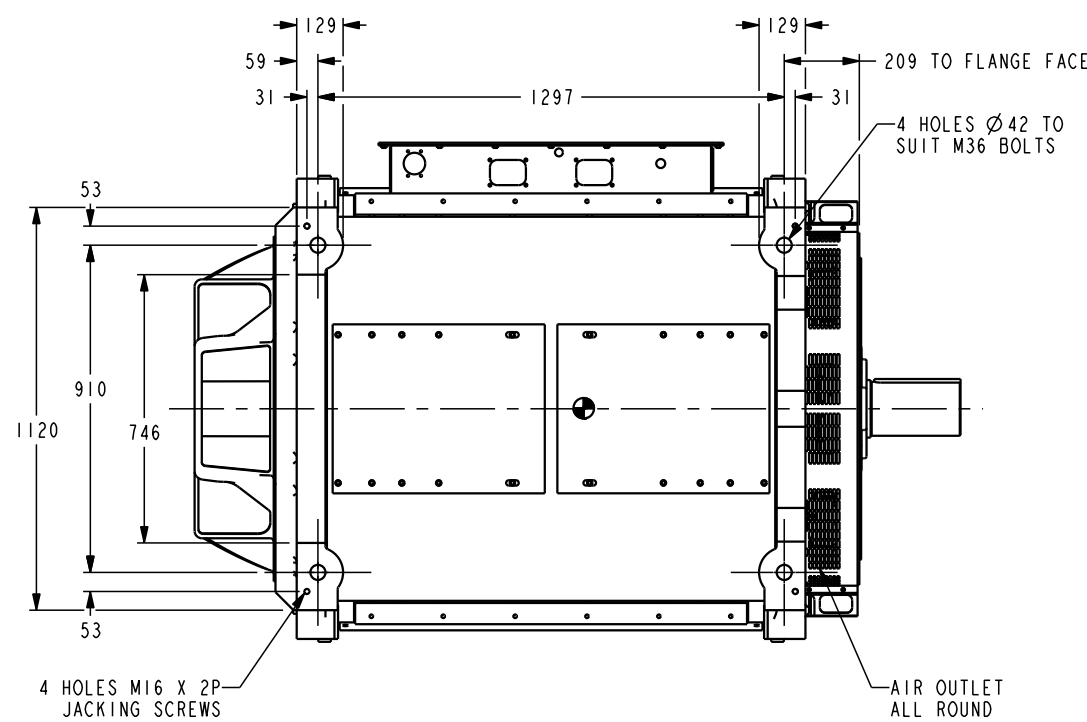
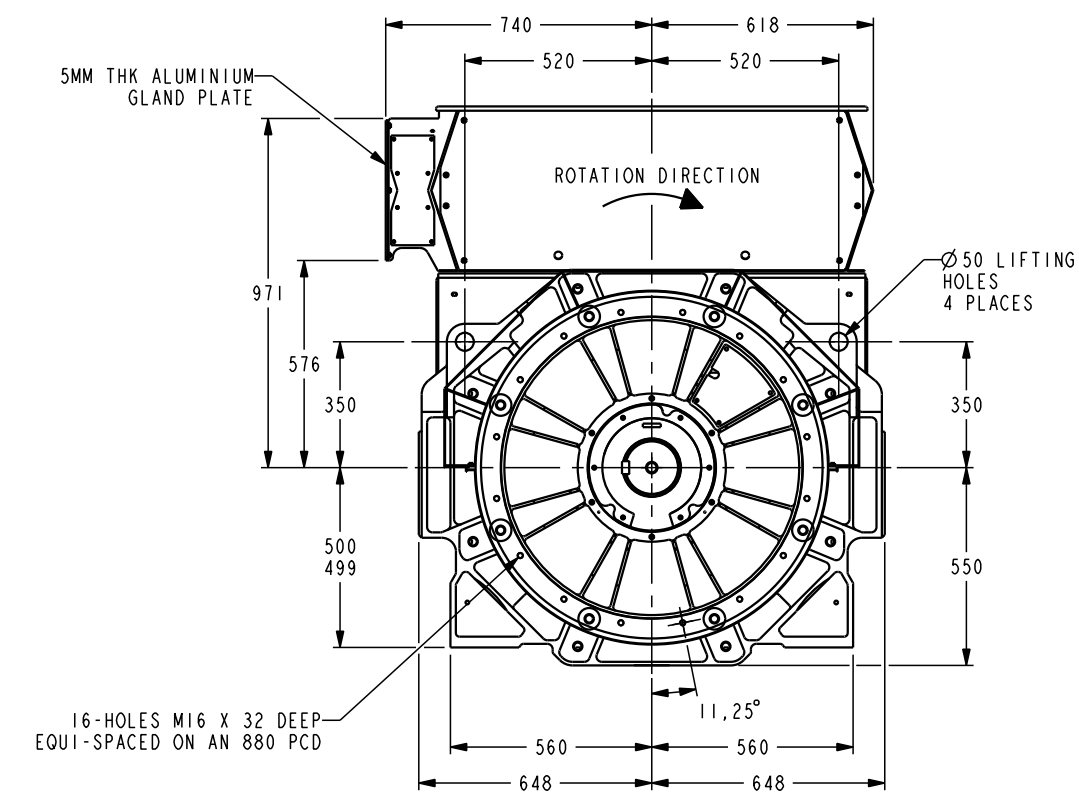
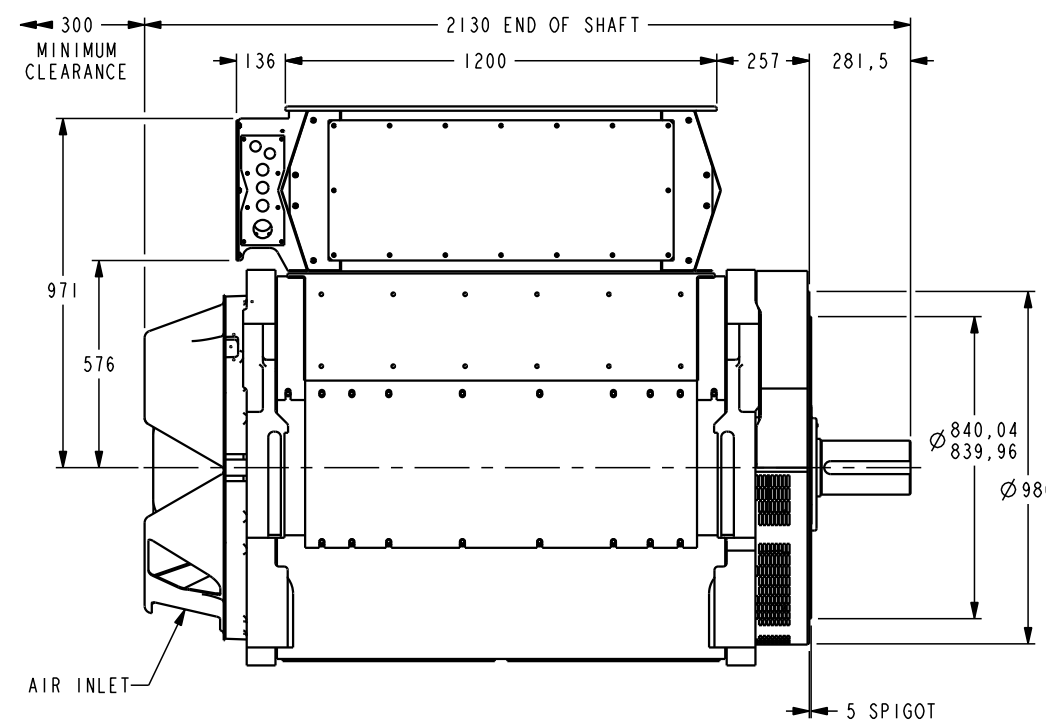
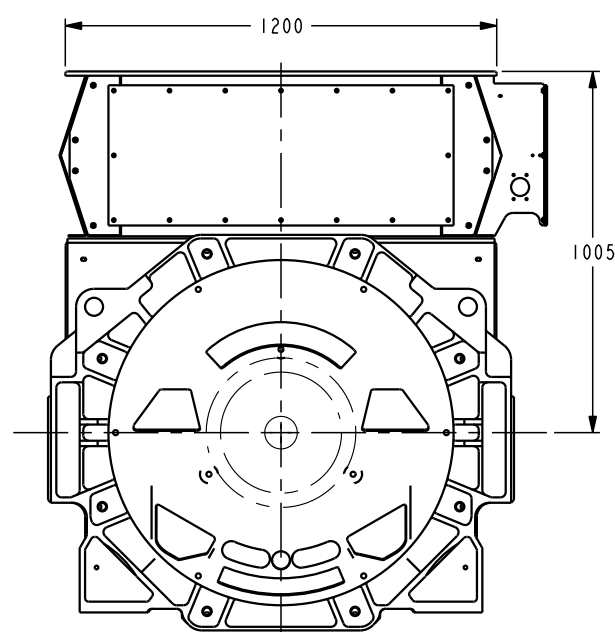
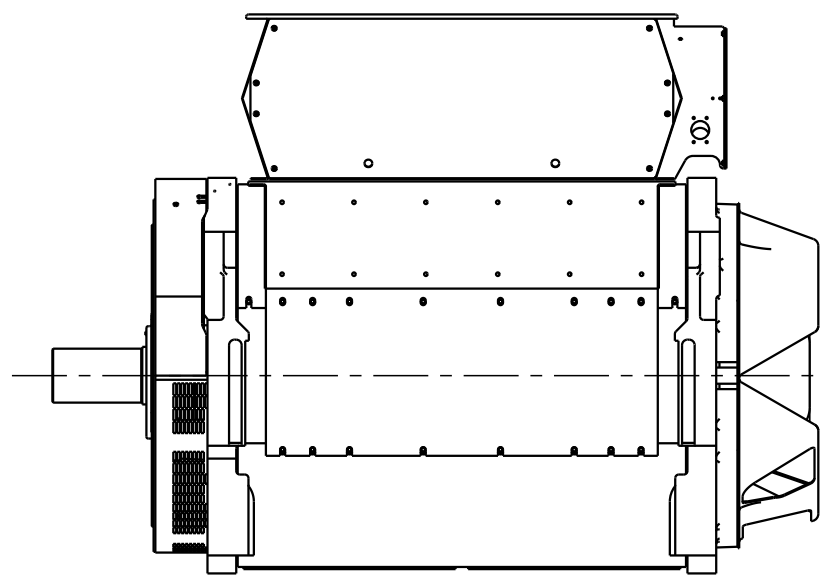
EARTH CONNECTION

UNLESS OTHERWISE SPECIFIED, ALL DIMENSIONS ARE IN MILLIMETERS	SIM TO	DWN R. MACMENEMEY		CUMMINS GENERATOR TECHNOLOGIES	
	DO NOT SCALE PRINT	CKD R. MACMENEMEY		DRAWING, GENERAL ASSEMBLY	
SCALE 1:10		APVD A. SAVILL	SITE CODE	P80 HV R CORE / INTEGRATED FOOT	
THIS DOCUMENT (AND THE INFORMATION SHOWN THEREON) IS CONFIDENTIAL AND PROPRIETARY AND SHALL NOT BE DISCLOSED TO OTHERS IN HARD COPY OR ELECTRONIC FORM, REPRODUCED BY ANY MEANS, OR USED FOR ANY PURPOSE WITHOUT WRITTEN CONSENT OF CUMMINS INC.	FOR INTERPRETATION OF DIMENSIONING AND TOLERANCING, SEE ASME Y14.5-2009	DATE 31AUG07	STA	DWG SIZE A2	80-2406
	FIRST USED ON				CAD SHEET 1 of 2

ESTIMATED WEIGHT BASED ON CAD MODEL: 5368KG NOT FOR INSPECTION



2 BEARING SHAFT DETAIL  
SCALE 1:5



ESTIMATED WEIGHT BASED ON CAD MODEL: 5368KG NOT FOR INSPECTION

UNLESS OTHERWISE SPECIFIED, ALL DIMENSIONS ARE IN MILLIMETERS	DO NOT SCALE PRINT	SCALE 1:10	DATE 31 AUG 07	APPD. A. SAVILL	STA	80-2406	2 OF 2
CUMMINS GENERATOR TECHNOLOGIES			DRAWING, GENERAL ASSEMBLY				
P80 HV R CORE / INTEGRATED FOOT			SHEET				