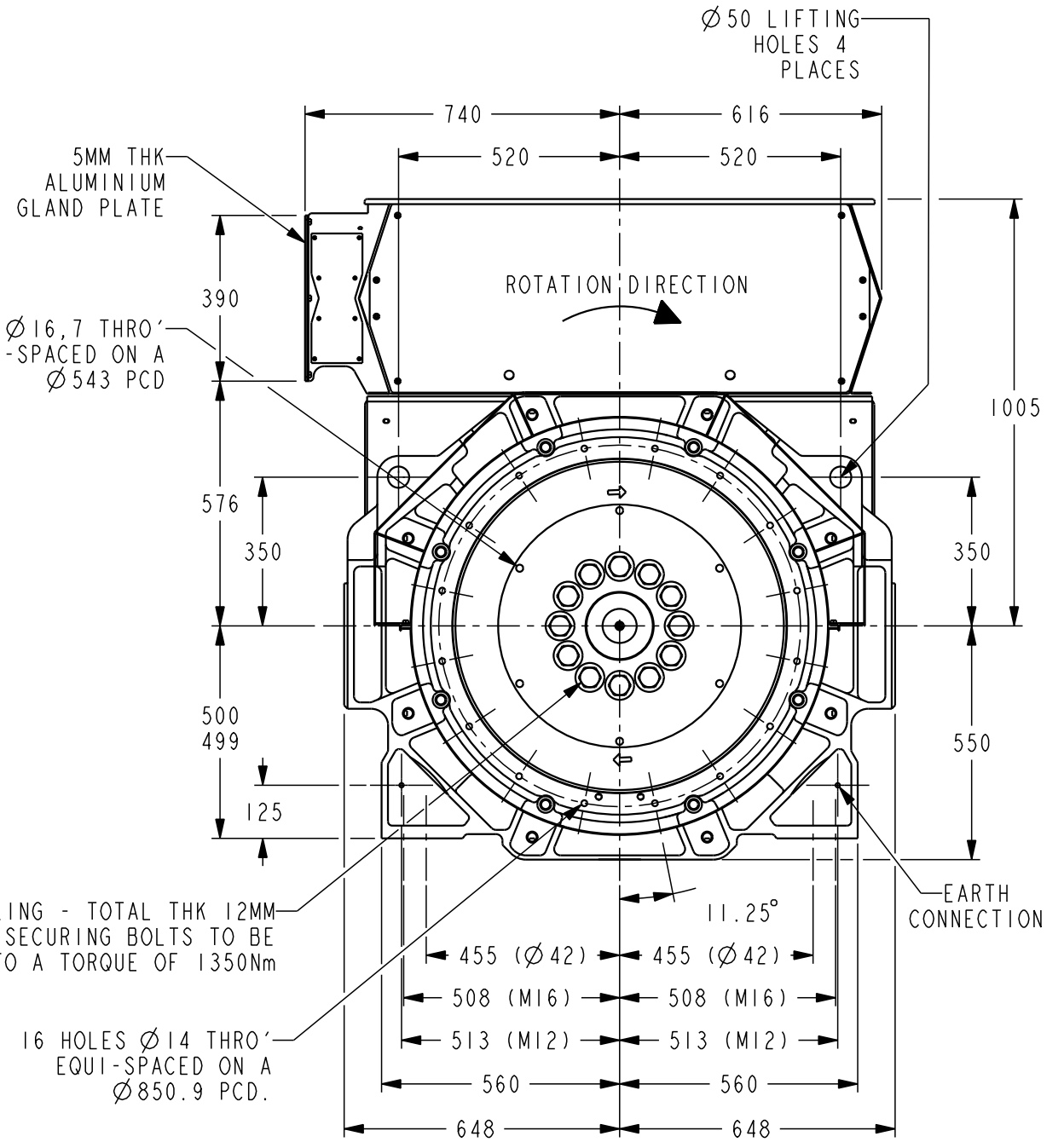
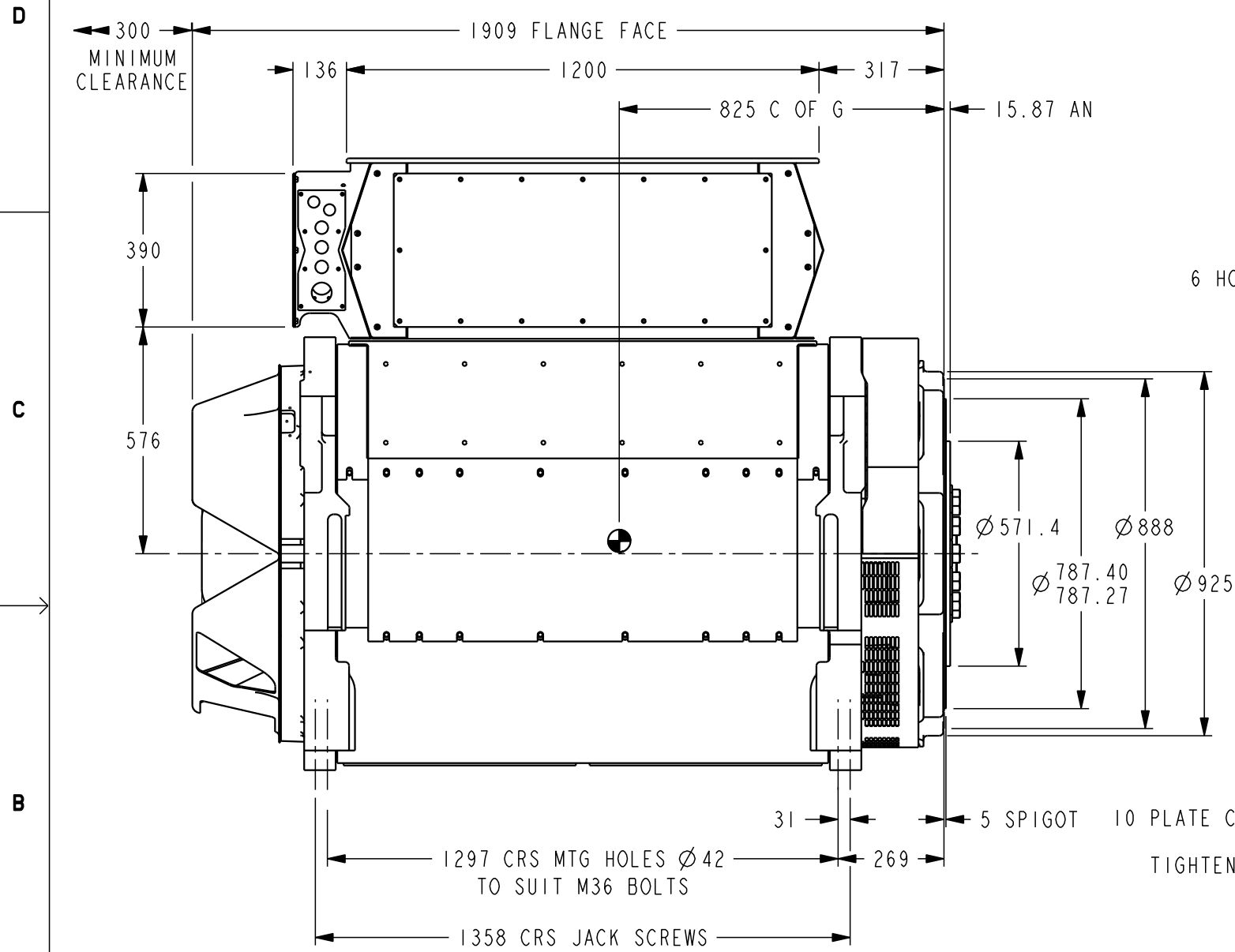
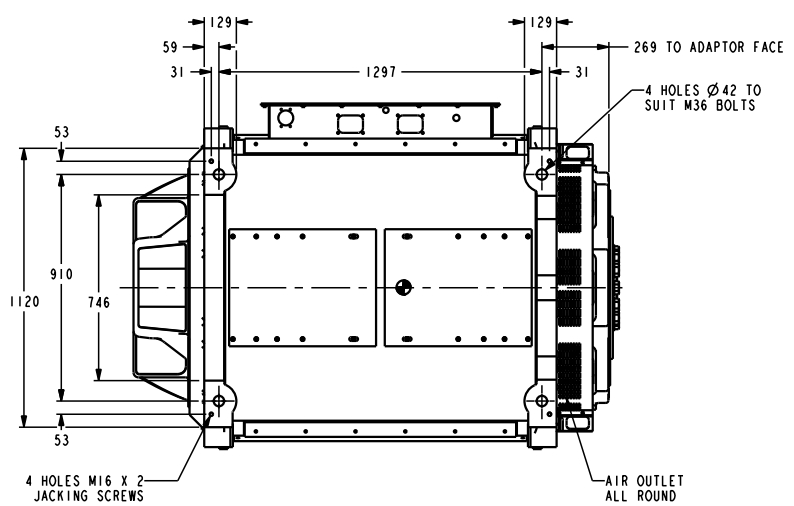
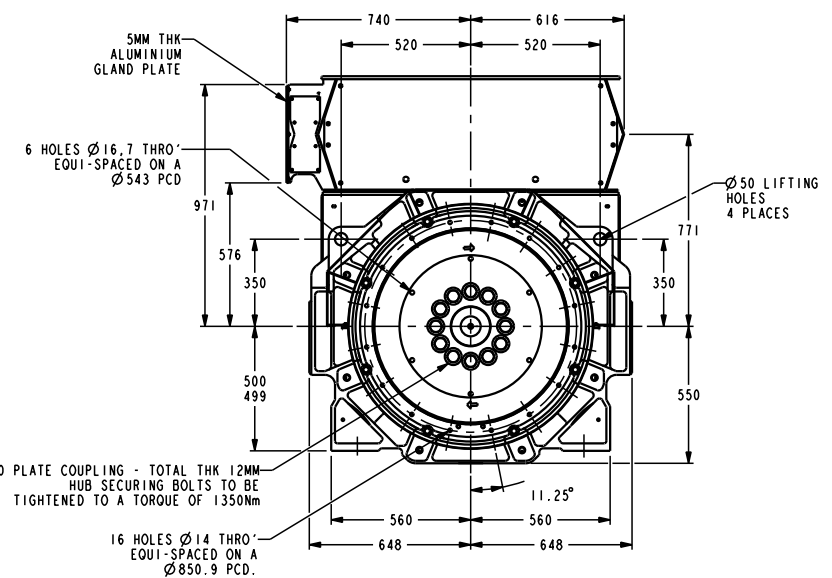
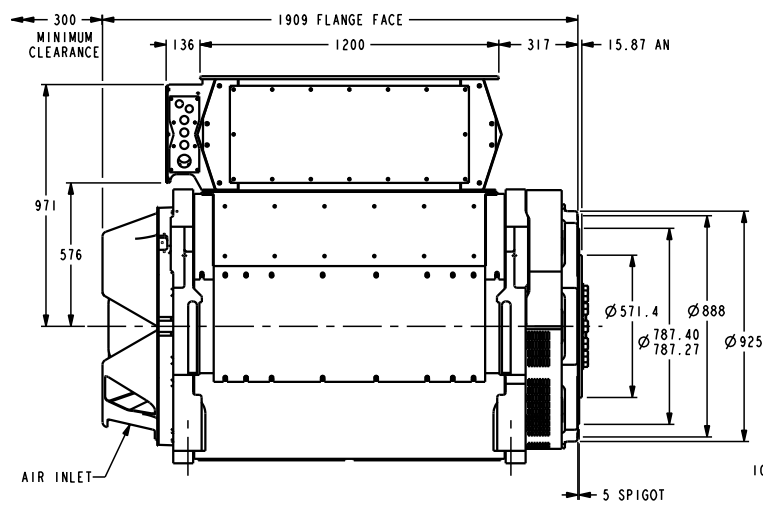
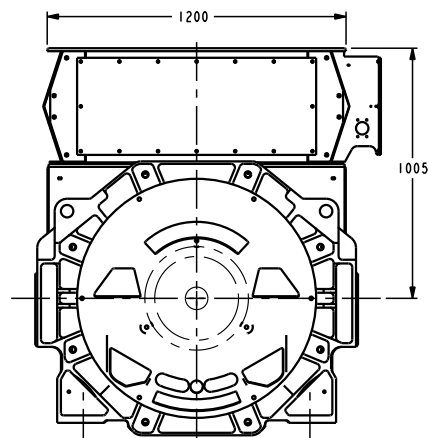
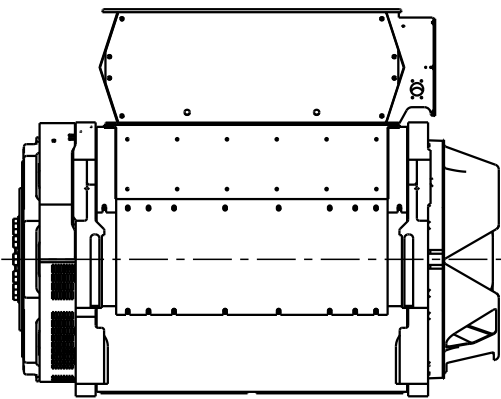
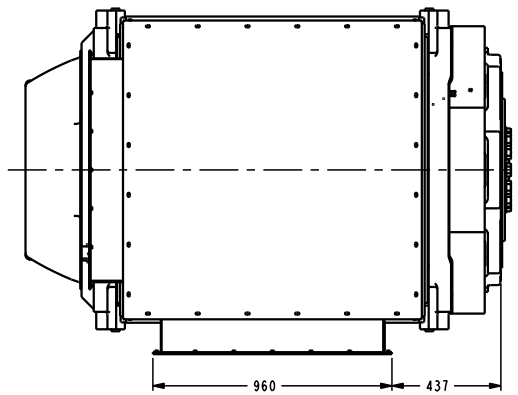


| REL NO | REV | NO | REVISION | DWN | CKD | APVD | DATE |
|------------|-----|----|--|-----|-----|-------|---------|
| ECO-165714 | B | I | DRAWING BORDER AND DIMENSIONING UPDATED. | AS | AS | D.LEE | 24OCT16 |



NOMINAL WEIGHT BASED ON CAD MODEL 5473KG; NOT FOR INSPECTION

| | | | | | | | | |
|--|--------------------|---------|---|-------------|---------------------------|-----------|--|-----------|
| UNLESS OTHERWISE SPECIFIED, ALL DIMENSIONS ARE IN MILLIMETERS | SCALE | 1:10 | | DWN | A. SHAWYER | | CUMMINS GENERATOR TECHNOLOGIES | |
| | DO NOT SCALE PRINT | CKD | | J. SAUNDERS | DRAWING, GENERAL ASSEMBLY | | | |
| THIS DOCUMENT (AND THE INFORMATION SHOWN THEREON) IS CONFIDENTIAL AND PROPRIETARY AND SHALL NOT BE DISCLOSED TO OTHERS IN HARD COPY OR ELECTRONIC FORM. REPRODUCED BY ANY MEANS, OR USED FOR ANY PURPOSE WITHOUT WRITTEN CONSENT OF CUMMINS INC. | DATE | 24OCT16 | FOR INTERPRETATION OF DIMENSIONING AND TOLERANCING, SEE ASME Y14.5-2009 | APVD | R. MACMENEMEY | SITE CODE | P80 HV R CORE / INTEGRATED FEET / SAE00/18 | |
| | SCALE | 1:10 | FIRST USED ON | DATE | 24OCT16 | STA | DWG SIZE | A2 |
| | | | | | | STA | 80-2485 | CAD SHEET |
| | | | | | | | | 1 OF 2 |



NOMINAL WEIGHT BASED ON CAD MODEL 5473KG; NOT FOR INSPECTION

| | | | | | |
|--|--------------------|--------------------|---|-----------|---------------------|
| UNLESS OTHERWISE SPECIFIED, ALL DIMENSIONS ARE IN MILLIMETERS SCALE: 1:10 | DO NOT SCALE PRINT | APP'D. A. SHAWYER | CUMMINS GENERATOR TECHNOLOGIES DRAWING GENERAL ASSEMBLY P80 HV R CORE / INTEGRATED FEET / SAE00/18 | STA AO | CWP SHEET 2 of 2 |
| | DATE 24OCT16 | APP'D. R. MACNEMEY | | | |