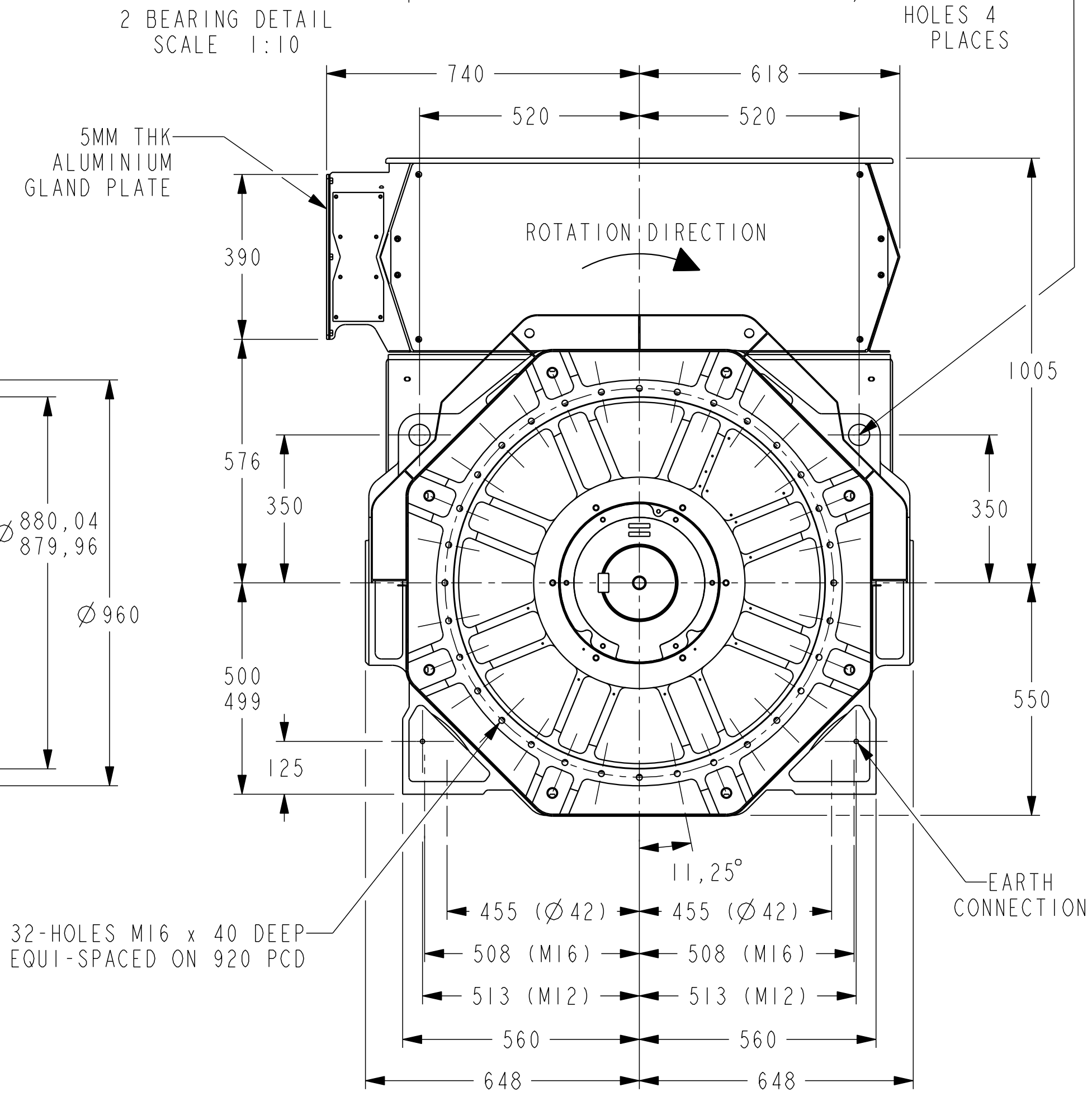
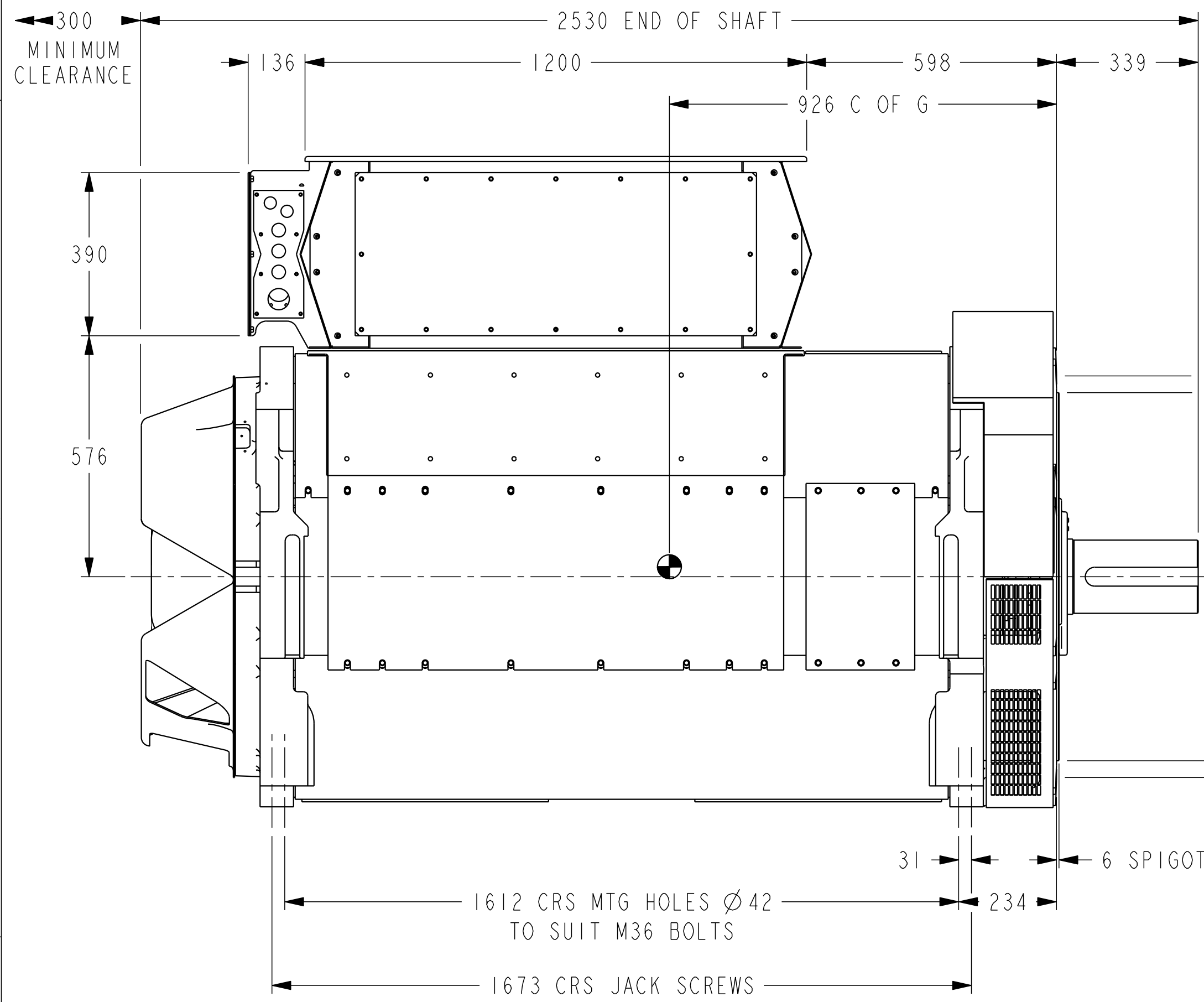
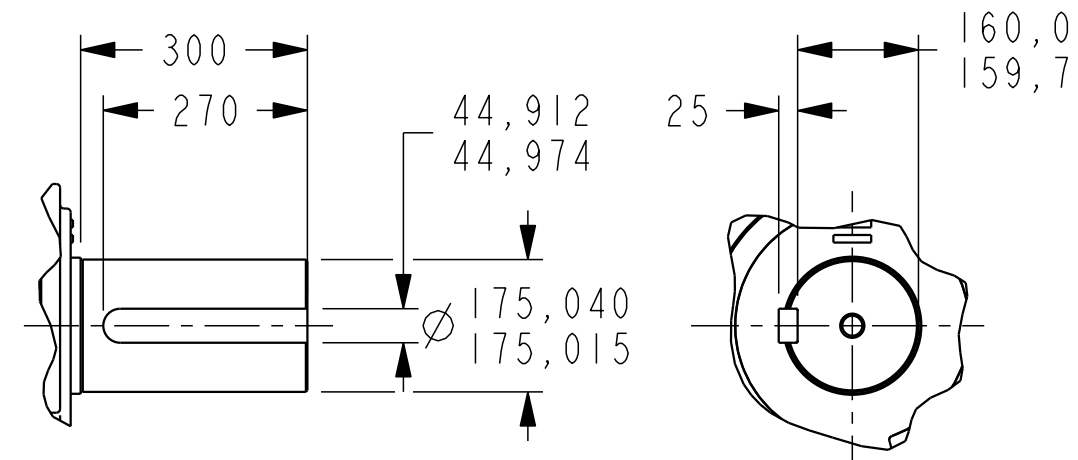
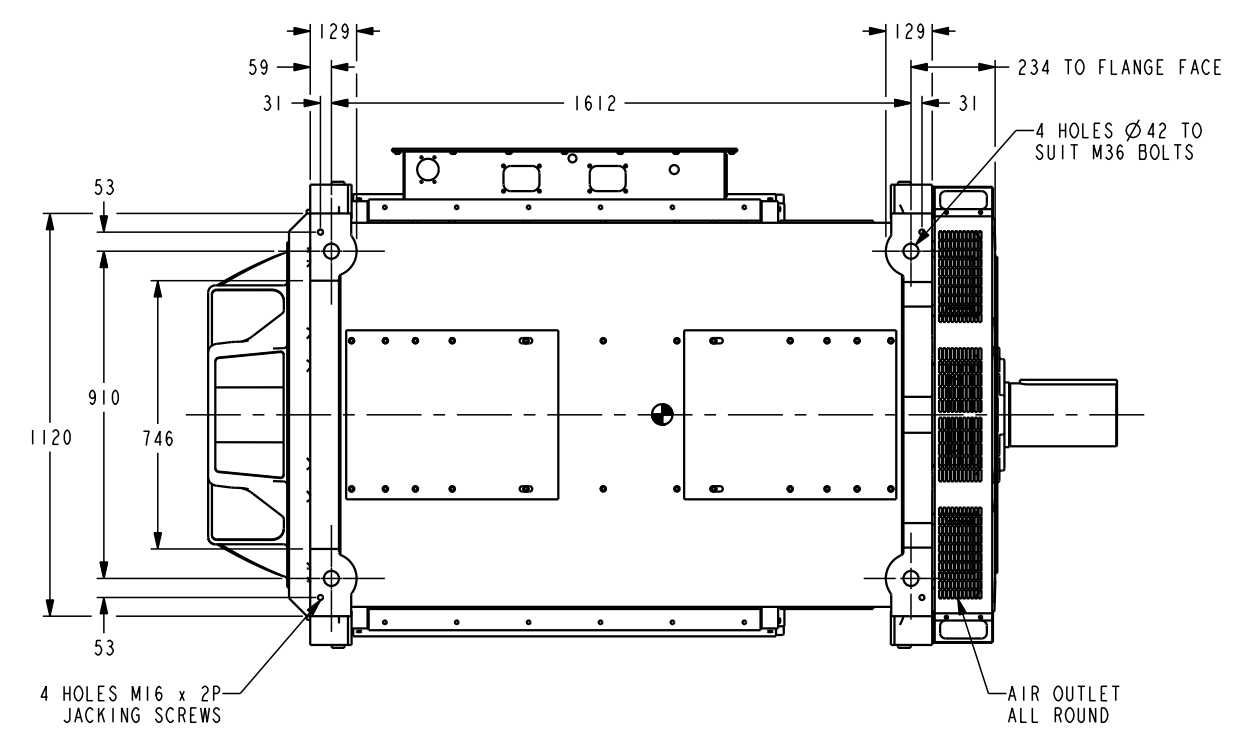
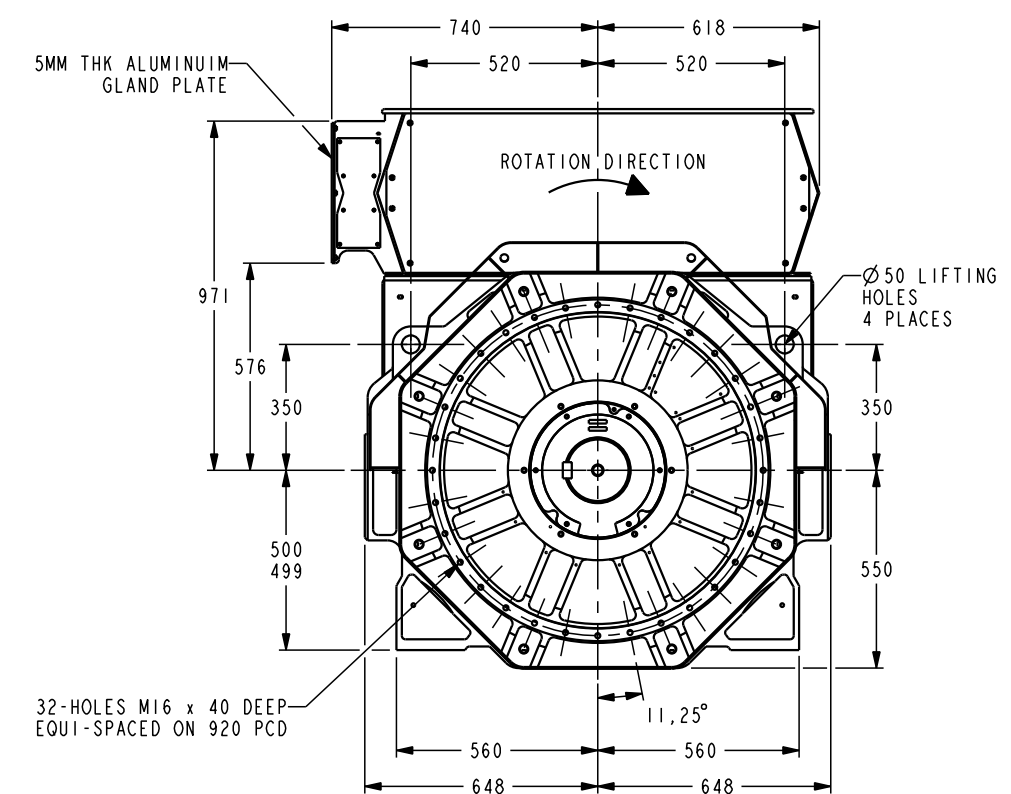
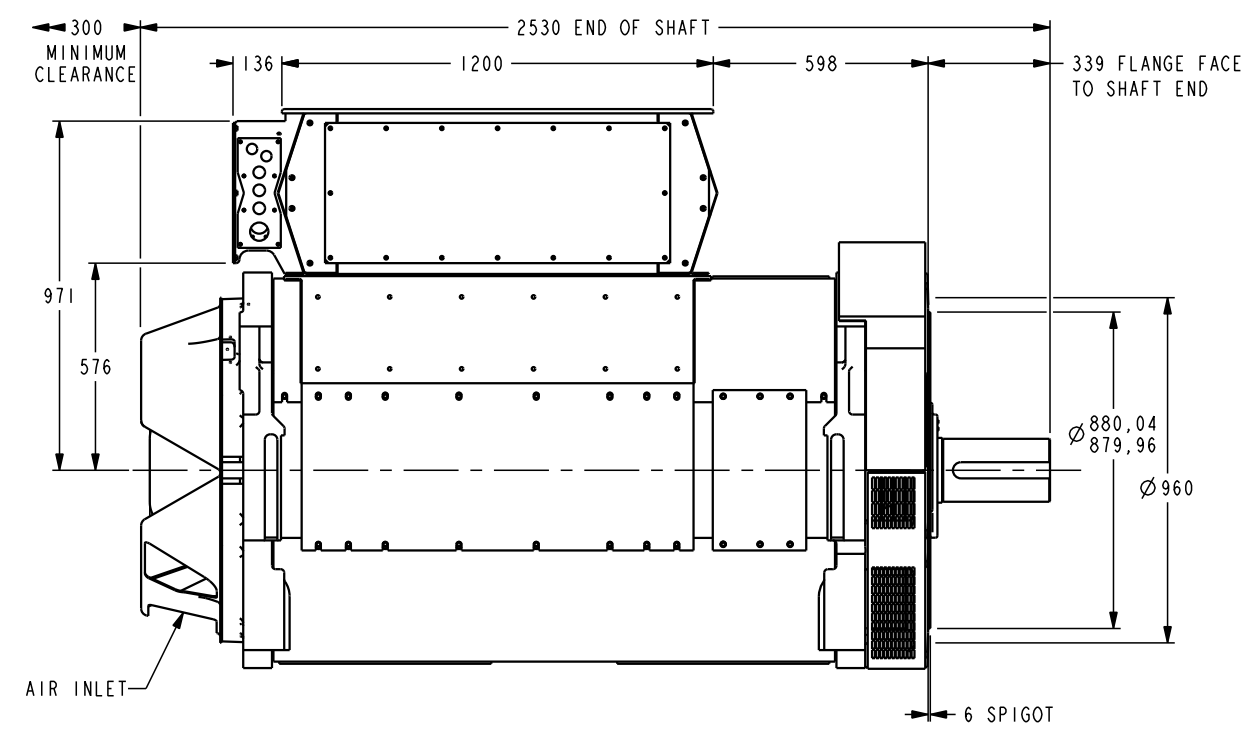
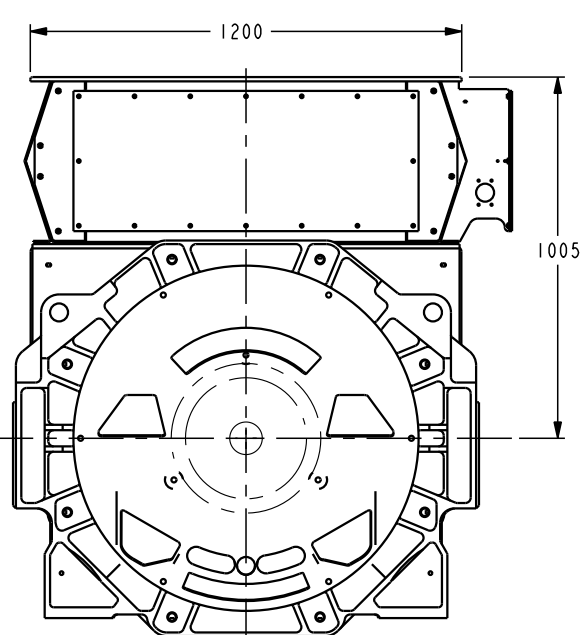
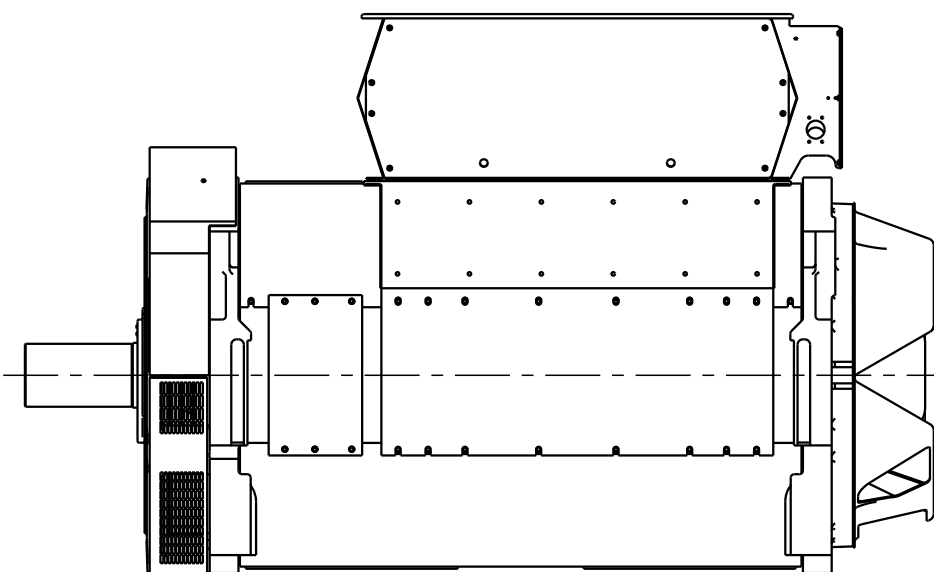
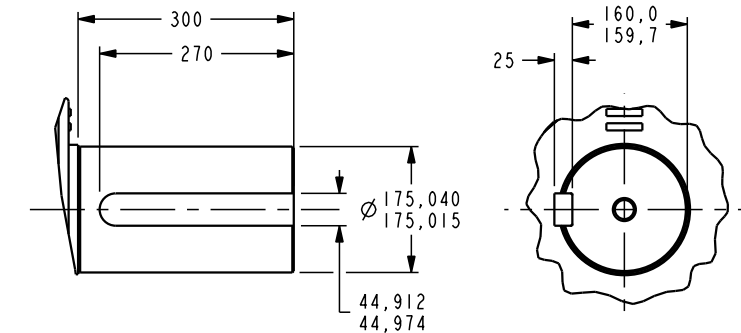
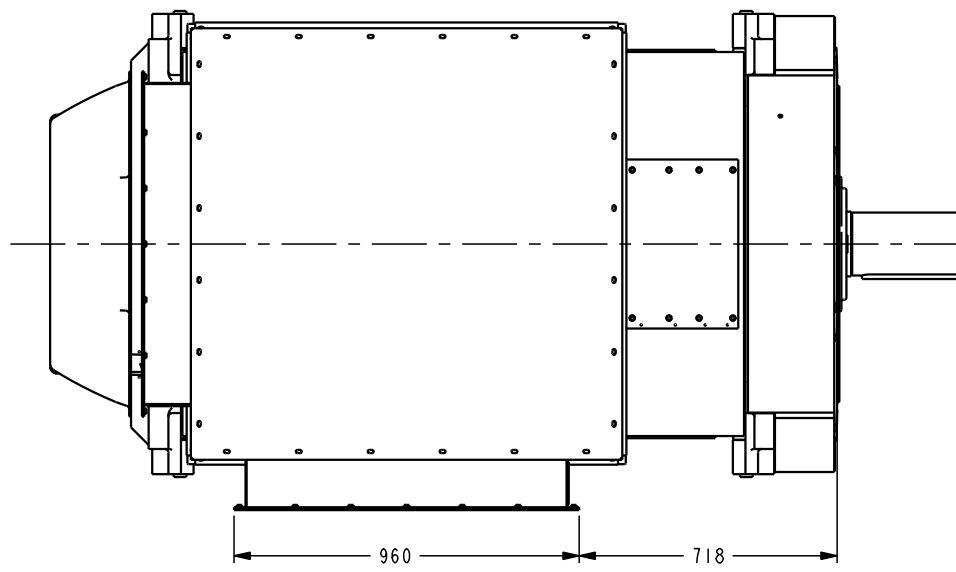


REL NO	REV	NO	REVISION	DWN	CKD	APVD	DATE
ECO-168944	B	1	DRAWING BORDER AND DIMENSIONING SCHEME UPDATED	AS	AS	D.LEE	24MAR17



NOMINAL WEIGHT BASED ON CAD MODEL 8011KG; NOT FOR INSPECTION

UNLESS OTHERWISE SPECIFIED, ALL DIMENSIONS ARE IN MILLIMETERS	SIM TO	DWN J. SAUNDERS		CUMMINS GENERATOR TECHNOLOGIES	
	DO NOT SCALE PRINT	CKD A. SHAWYER		DRAWING, GENERAL ASSEMBLY	
SCALE 1:10		APVD A. SAVILL	SITE CODE	P80 HV X CORE / INTEGRATED FOOT	
THIS DOCUMENT (AND THE INFORMATION SHOWN THEREON) IS CONFIDENTIAL AND PROPRIETARY AND SHALL NOT BE DISCLOSED TO OTHERS IN HARD COPY OR ELECTRONIC FORM, REPRODUCED BY ANY MEANS, OR USED FOR ANY PURPOSE WITHOUT WRITTEN CONSENT OF CUMMINS INC.	FOR INTERPRETATION OF DIMENSIONING AND TOLERANCING, SEE ASME Y14.5-2009	DATE 29MAR12		FIRST USED ON N/A	DWG SIZE A2
			STA	CAD SHEET 1 OF 2	



NOMINAL WEIGHT BASED ON CAD MODEL 8011KG; NOT FOR INSPECTION

UNLESS OTHERWISE SPECIFIED, ALL DIMENSIONS ARE IN MILLIMETERS	DO NOT SCALE PRINT	SCALE 1:10	DESIGNED BY J. SAUNDERS	CHKD BY A. SHAWYER	APPD BY A. SAVILL	DATE 25MAR17	SITE CODE	CUMMINS GENERATOR TECHNOLOGIES
THIS DOCUMENT IS THE PROPERTY OF CUMMINS INC. IT IS TO BE USED ONLY FOR THE PROJECT AND SITE SPECIFICALLY IDENTIFIED HEREON. IT IS NOT TO BE REPRODUCED, COPIED, OR TRANSMITTED IN ANY FORM OR BY ANY MEANS, ELECTRONIC OR MECHANICAL, WITHOUT THE WRITTEN PERMISSION OF CUMMINS INC.	FOR CUMMINS USE ONLY	FOR CUMMINS USE ONLY	FOR CUMMINS USE ONLY	FOR CUMMINS USE ONLY	FOR CUMMINS USE ONLY	FOR CUMMINS USE ONLY	FOR CUMMINS USE ONLY	FOR CUMMINS USE ONLY
							STA	DRAWING, GENERAL ASSEMBLY
							AO	P80 HV X CORE / INTEGRATED FOOT
								A042S364
								CAD SHEET 2 of 2