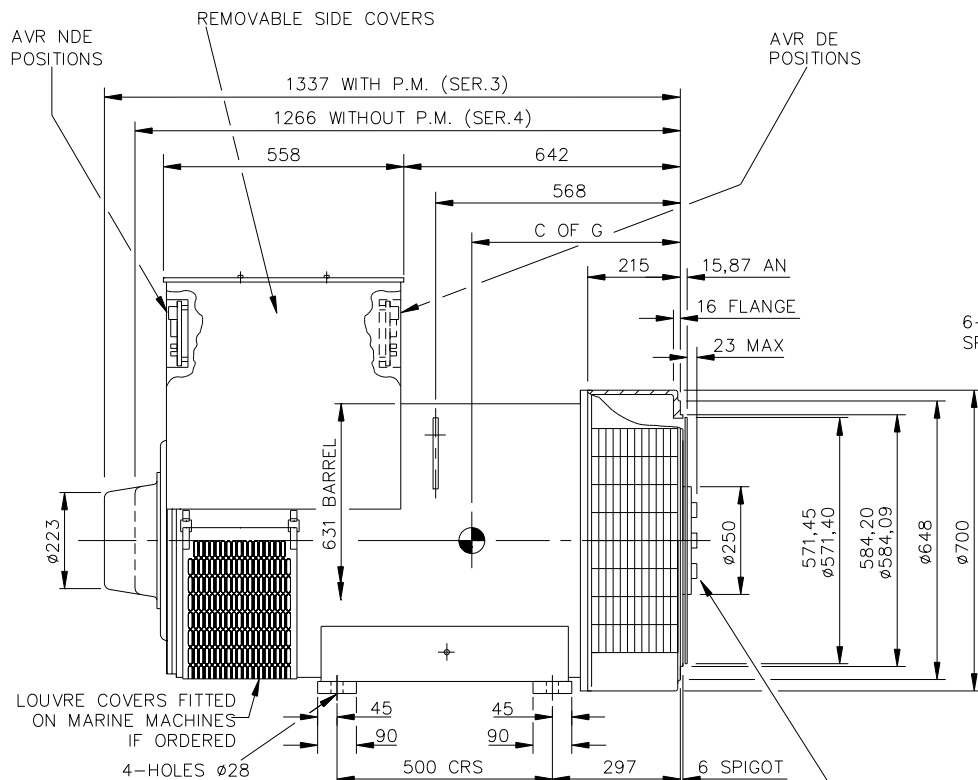


REL NO	REV	DETAILS	DWN	CKD	APVD	DATE
ECO-130106	F	AVR VIEWS & NOTES UPDATED	NNG	APM	SMH	15NOV12

CORE	C OF G
C	555
D	575
E	595

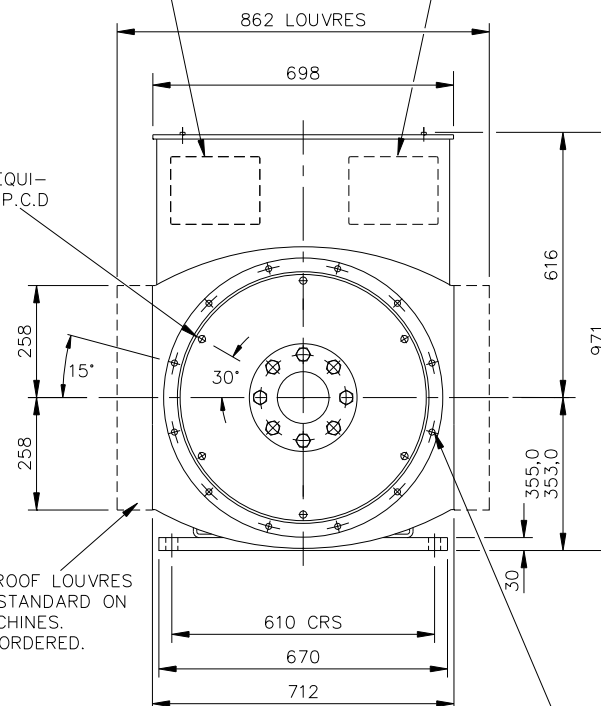


6-HOLES Ø16,7 EQUI-SPACED ON 543 P.C.D

60° DRIP PROOF LOUVRES FITTED AS STANDARD ON MARINE MACHINES. OTHERS IF ORDERED.

4-PLATE COUPLING TOTAL THICKNESS 4,8. HUB SECURING BOLTS TO BE TIGHTENED TO A TORQUE OF 48Kgf m 479N m.

AVR POSITION WHEN FITTED TO NDE OR DE (TO SUIT R/H CABLE ENTRY)
 AVR POSITION WHEN FITTED TO NDE OR DE (TO SUIT L/H CABLE ENTRY)



12-HOLES Ø14 EQUI-SPACED ON 619 P.C.D.

NOTE: -
 CUSTOMER MAY CUT CABLE ENTRY HOLES AS REQUIRED IN ANY OF THE FOUR TERMINAL BOX SIDES SUBJECT TO POSITION OF AVR, TERMINALS, ETC.

UNLESS SPECIFIED ALL DIMENSIONS ARE IN MILLIMETERS					CUMMINS GENERATOR TECHNOLOGIES			
DO NOT SCALE PRINT	DRAWN	SMC			DRAWING, GENERAL ASSEMBLY			
	CHECKED	SMC			HC5 CDE 1-BRG SAE 1/2 / 18 GA			
	APPROVED	CR		SITE CODE STA	DWG SIZE A4	52-4649	SHEET 1	REV F
CONFIDENTIAL	DATE	07JUL00						
PROPERTY OF CUMMINS GENERATOR TECHNOLOGIES	SCALE	FIRST USED ON						
	1:10	---						

D

D

C

C

B

B

A

A