

REL NO	REV	DETAILS	DWN	CDK	APVD	DATE
ECO-141197	C	ADDED PG7R (4p) TO TITLE BLOCK AND C OF G TABLE	DW	SMH	SFA	07FEB14

D

D

C

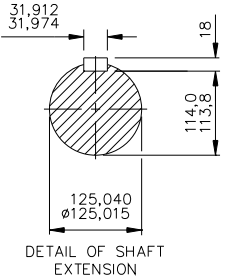
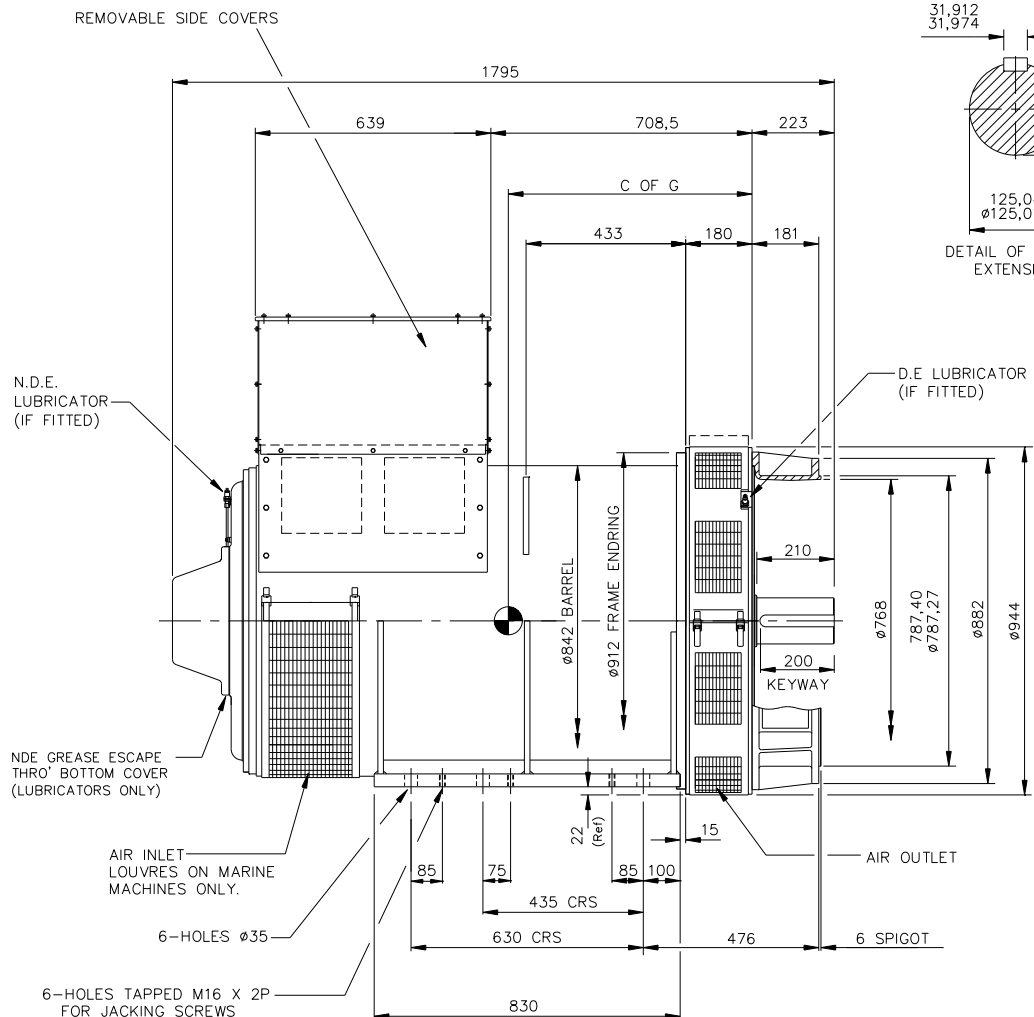
C

B

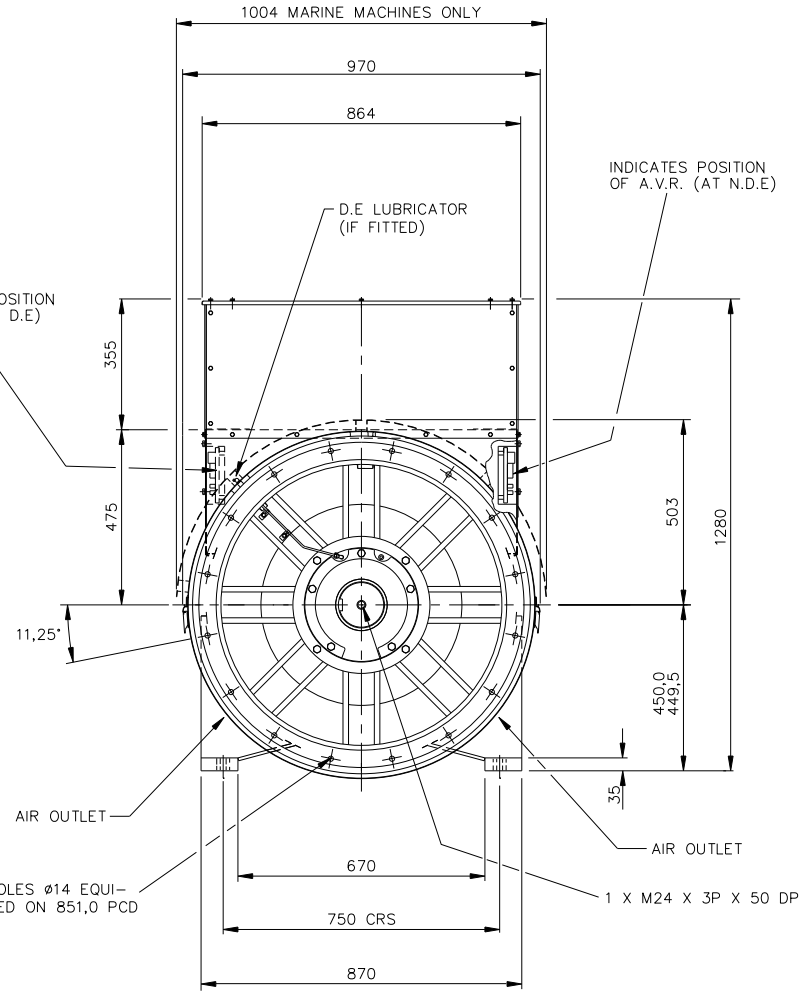
B

A

A



ALTERNATE POSITION OF A.V.R. (AT D.E.)



CUSTOMER MUST ENSURE THAT AIR INLET & OUTLET POSITIONS ARE NOT OBSTRUCTED

CORE	C OF G	WEIGHT (KG)
A (4p)	640	2710
B (4p)	640	2710
C (4p)	680	2967
B (6p)	640	2630
R (4p)	650	3130

NOTE: - CUSTOMER MAY CUT CABLE ENTRY HOLES AS REQUIRED IN ANY OF THE FOUR TERMINAL BOX SIDES SUBJECT TO POSITION OF AVR, TERMINALS, ETC.

UNLESS SPECIFIED ALL DIMENSIONS ARE IN MILLIMETERS			CUMMINS GENERATOR TECHNOLOGIES	
DO NOT SCALE PRINT	DRAWN AV		DRAWING, GENERAL ASSEMBLY P7 A/B/C (4p) , P7B (6p) AND PG7R (4p) 2-BRG ALTERNATOR WITH S.A.E No 00 ADAPTOR STANDARD TERMINAL BOX - STANDARD FEET	
	CHECKED AV	SITE CODE	STA	DWG SIZE A2
	APPROVED DPC			
CONFIDENTIAL	DATE 15MAR05	FIRST USED ON		SHEET 1
PROPERTY OF CUMMINS GENERATOR TECHNOLOGIES	SCALE 1:10	---		