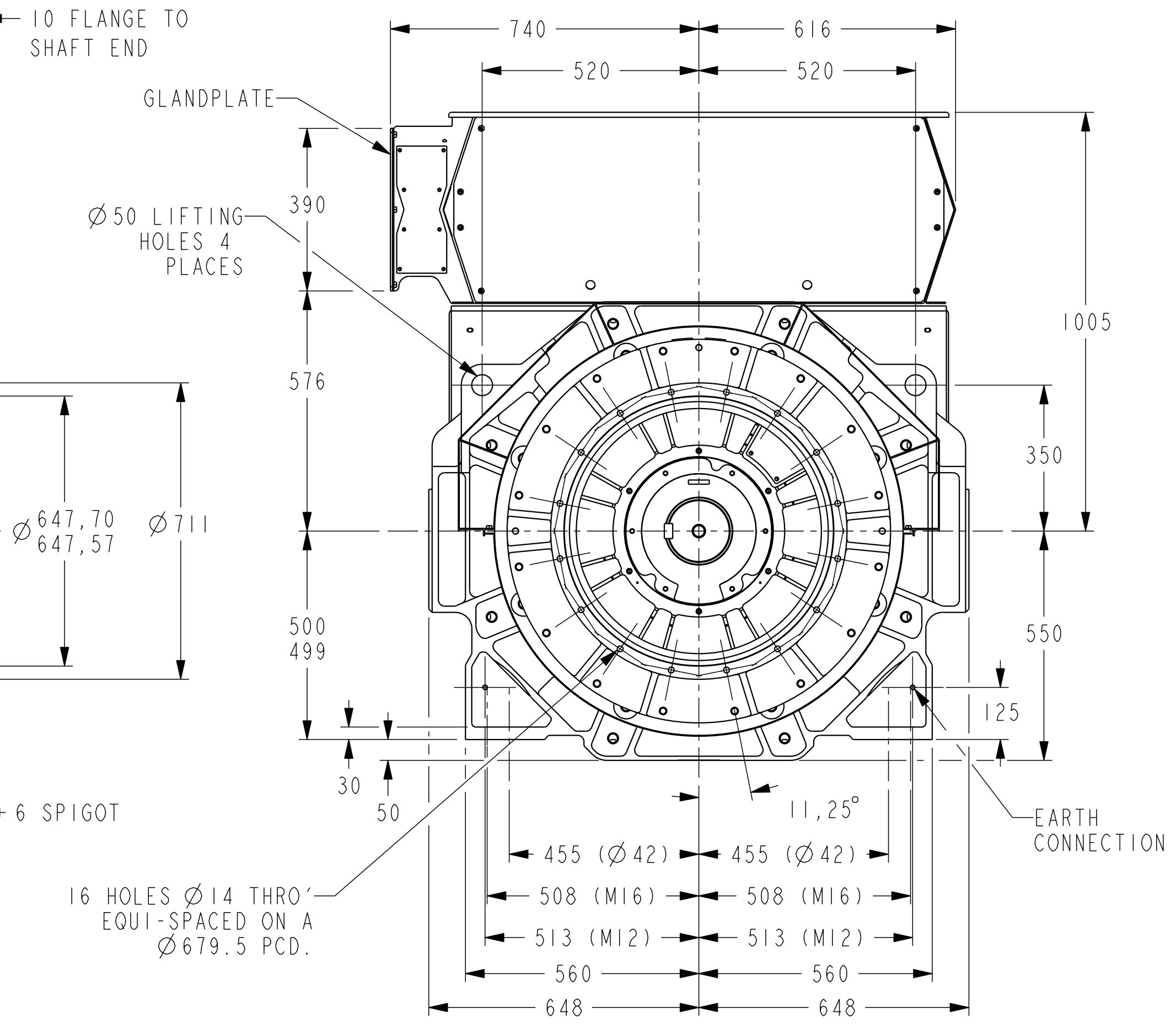
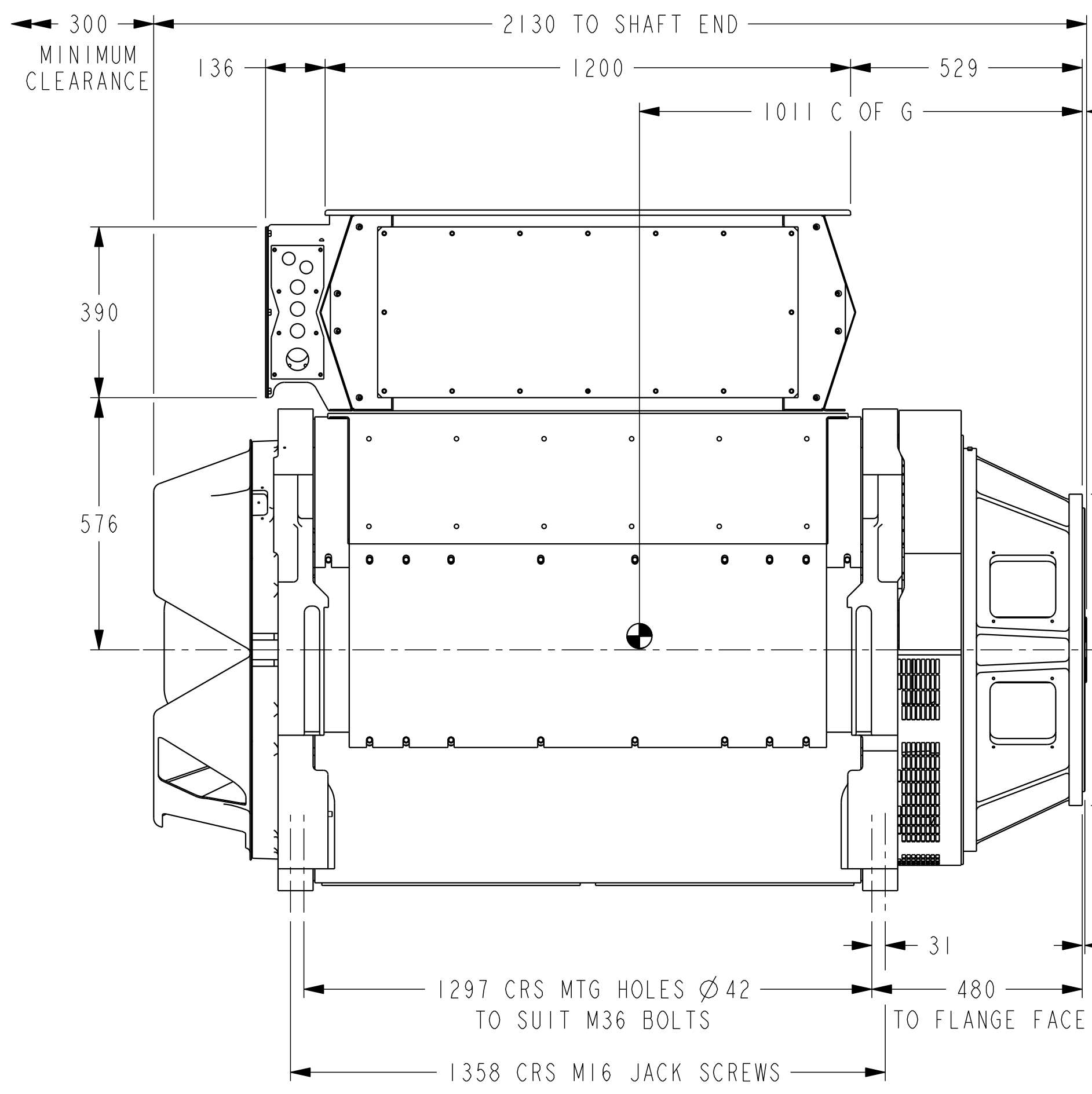
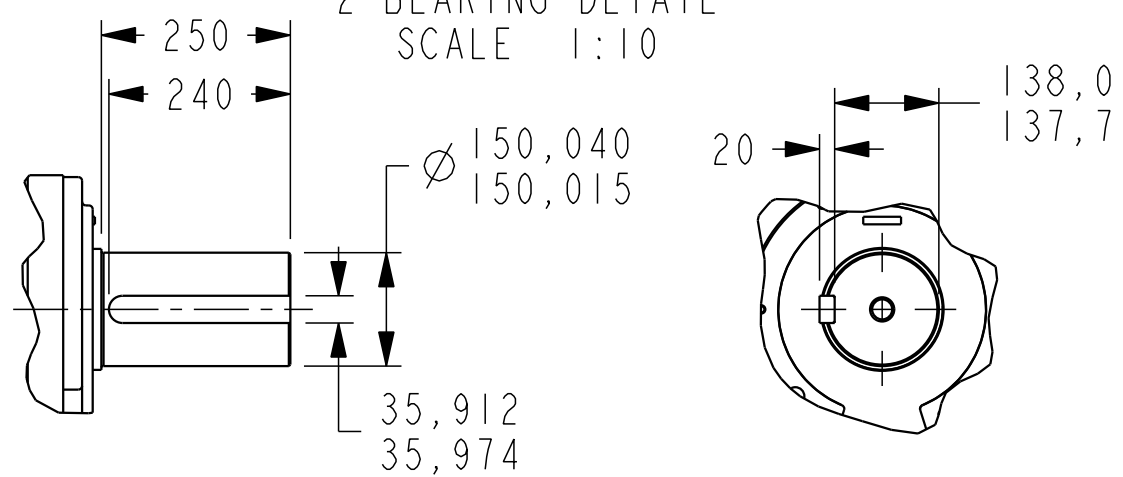


REL NO	REV	DETAIL	DWN	CKD	APVD	DATE
ECO-150301	C	SHAFT EXTENSION DIAMETER CORRECTED. NDE AIR INLET COVER UPDATED. SHEETS 1 & 2 REVERSED.	AS	AGS	SPA	23FEB15

2 BEARING DETAIL SCALE 1:10



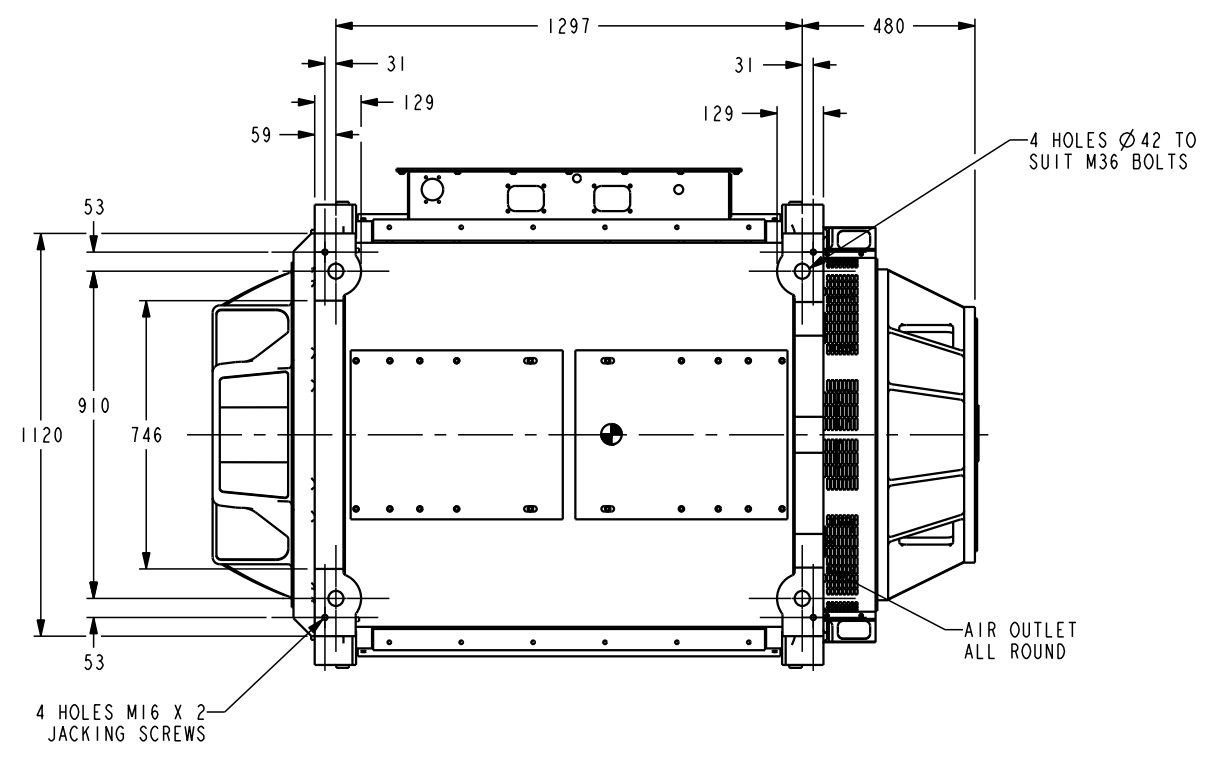
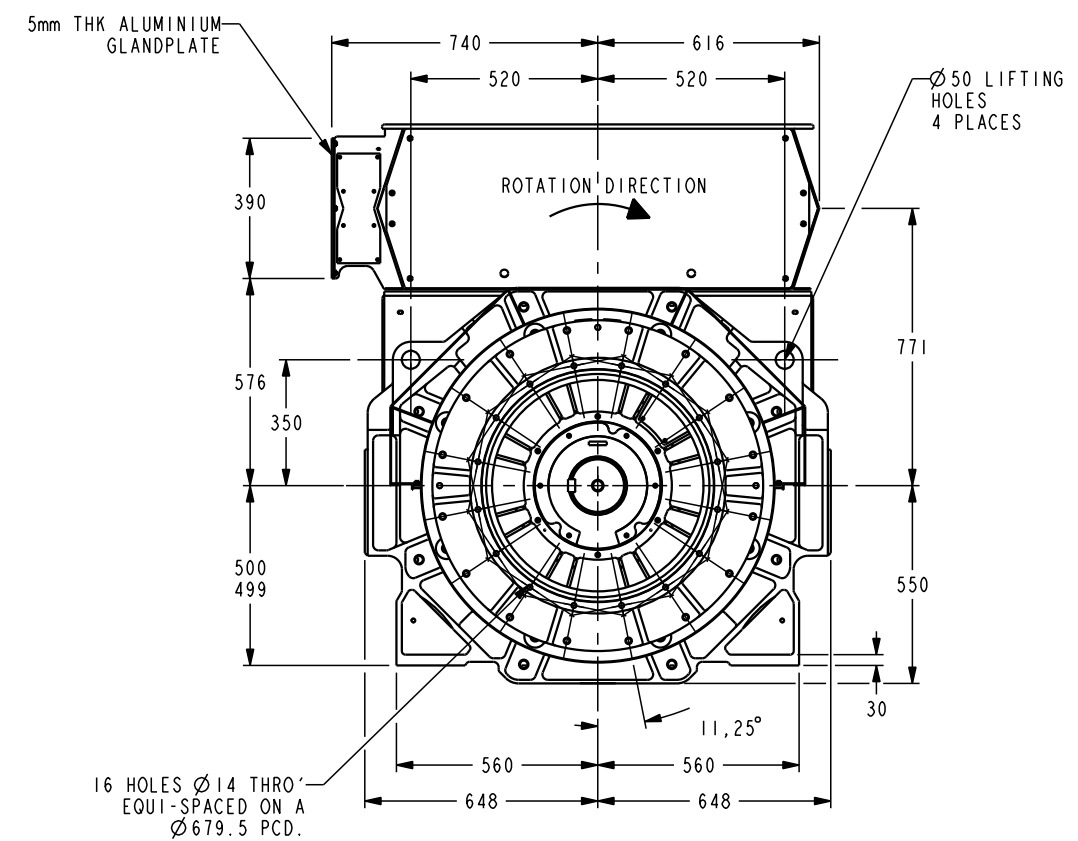
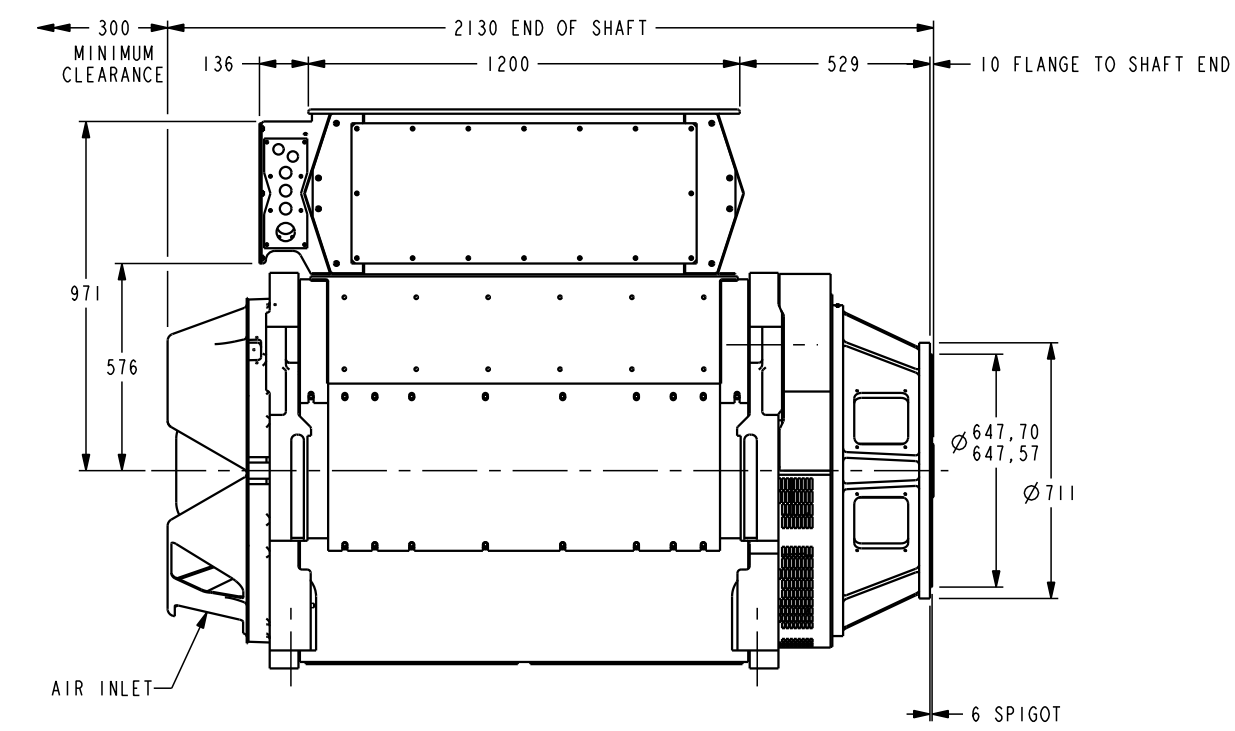
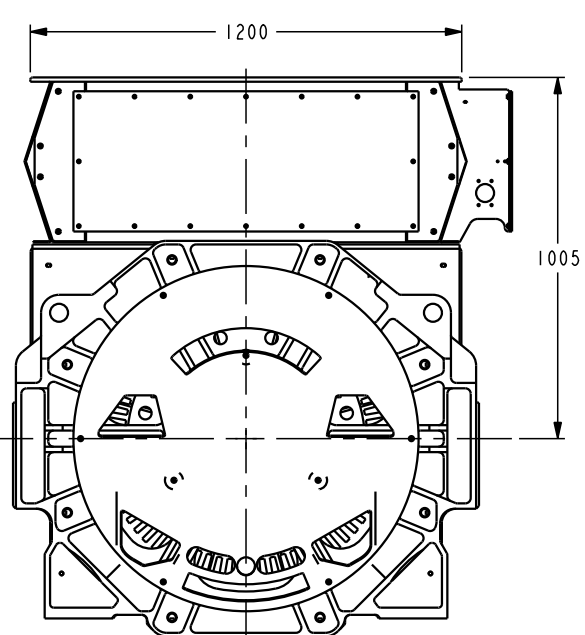
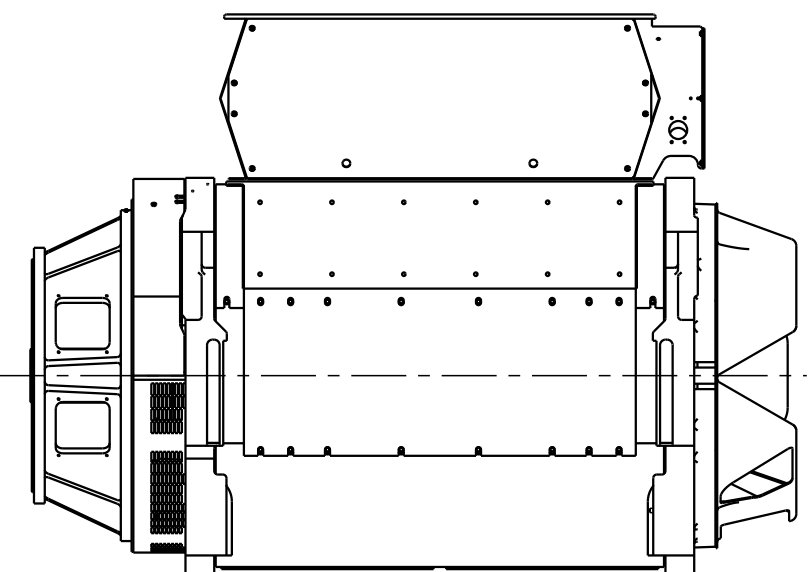
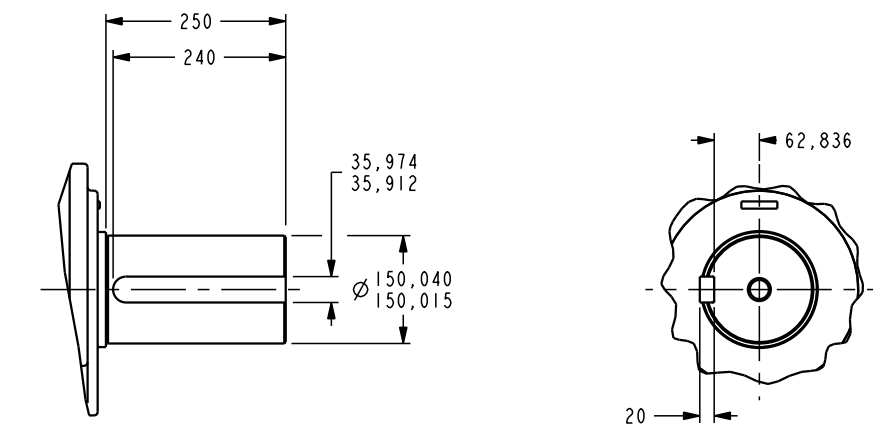
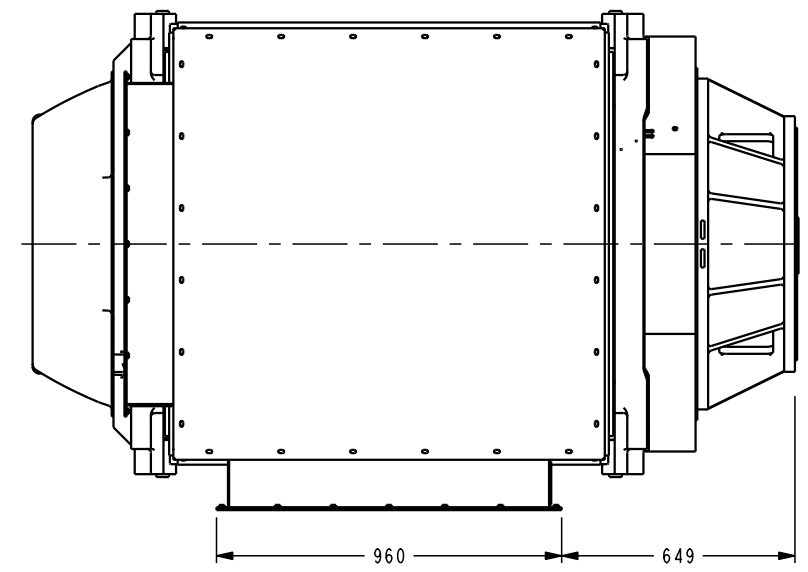
NOMINAL WEIGHT BASED ON CAD MODEL 5545KG NOT FOR INSPECTION

UNLESS OTHERWISE SPECIFIED, ALL DIMENSIONS ARE IN MILLIMETERS	
DIM	± 1
X.X ± 0,1	0.00 - 4.99 +0.15/-0.08
X.XX ± 0,01	5.00 - 9.99 +0.20/-0.10
X.XXX ± 0,001	10.00 - 17.49 +0.25/-0.13
	17.50 - 24.99 +0.30/-0.13
ANG TOL	± 0,5°
SCALE:	1:10

SIM TO	DWN	IAM
DO NOT SCALE PRINT	CKD	IAM
	APVD	RM
	DATE	29NOV06
FOR INTERPRETATION OF DIMENSIONING AND TOLERANCING, SEE ASME Y14.5M-1994	FIRST USED ON	

CUMMINS GENERATOR TECHNOLOGIES	
DRAWING, GENERAL ASSEMBLY	
P80 HV R CORE / 500 CHT FOOT / SAE 0 ADAPTOR	
SITE CODE	STA
DWG SIZE	A2
80-2362	
SHEET	1
REV	C

REV NO	REV	DETAIL	DRW CDD	APVD	DATE
ECO-150301	C	SHAFT EXTENSION DIAMETER CORRECTED, NDE AIR INLET COVER UPDATED, SHEETS 1 & 2 REVERSED.	AS	AGS SPA	23FEB15



NOMINAL WEIGHT BASED ON CAD MODEL 5545KG NOT FOR INSPECTION

UNLESS OTHERWISE SPECIFIED, ALL DIMENSIONS ARE IN MILLIMETERS		DO NOT SCALE PRINT	DATE 29NOV06	PROPERTY OF CUMMINS GENERATOR TECHNOLOGIES
SCALE: 1:10	ANG TO DIM: 0.5°	ANG TO DIM: 0.5°	ANG TO DIM: 0.5°	ANG TO DIM: 0.5°
STA	AO	80-2362	SHEET 2	REV C