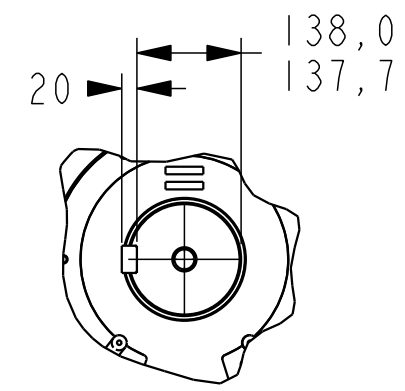
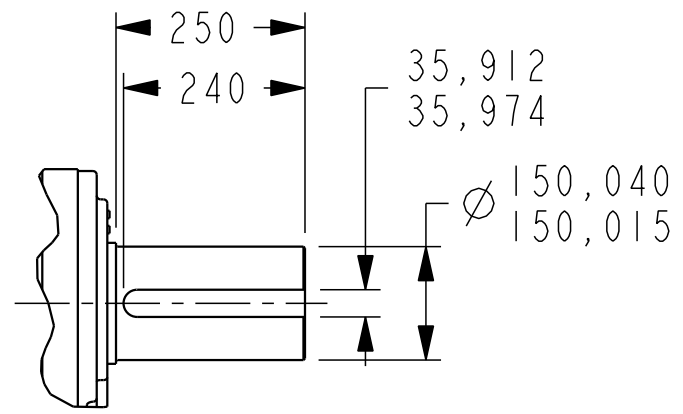
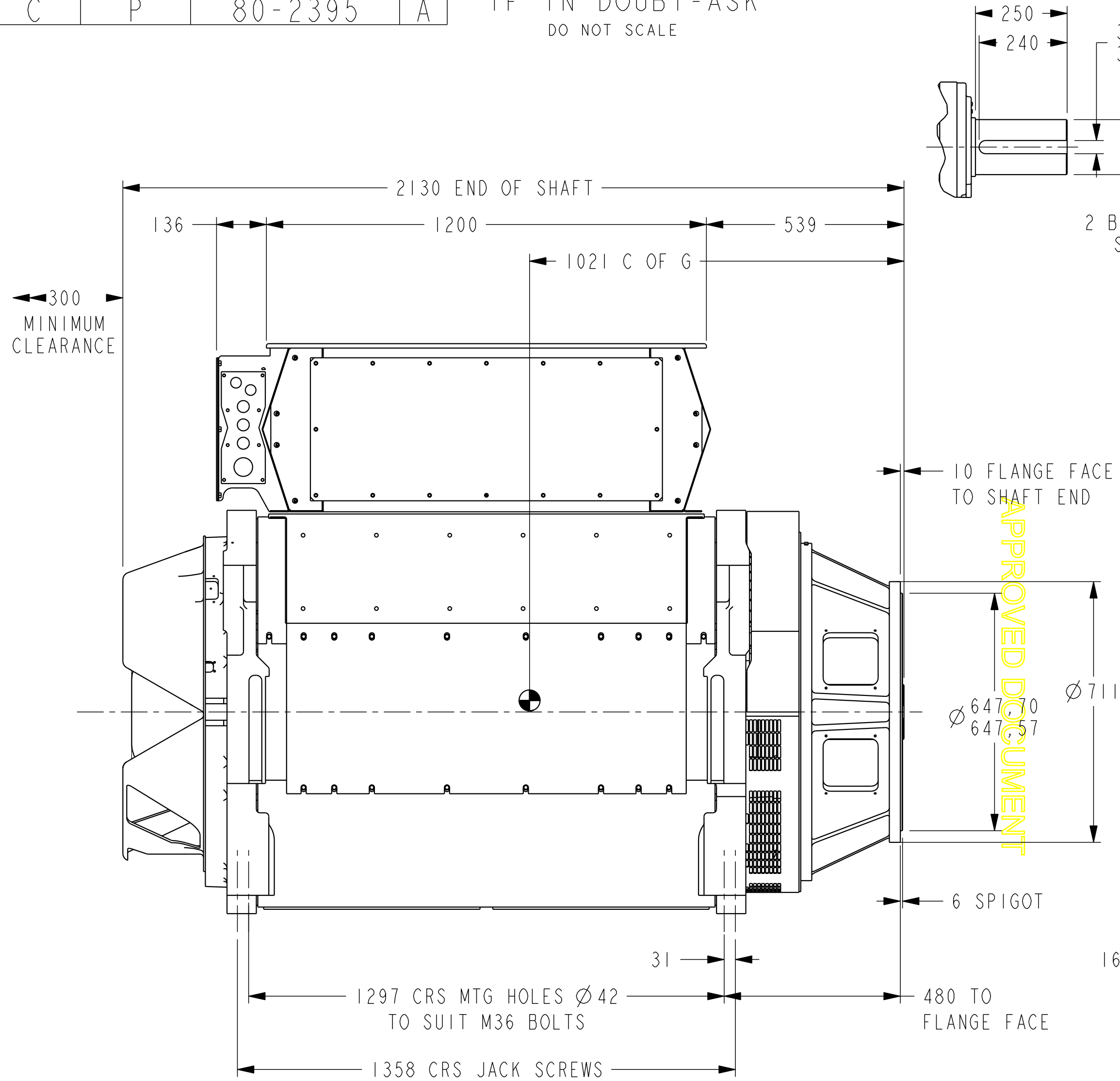
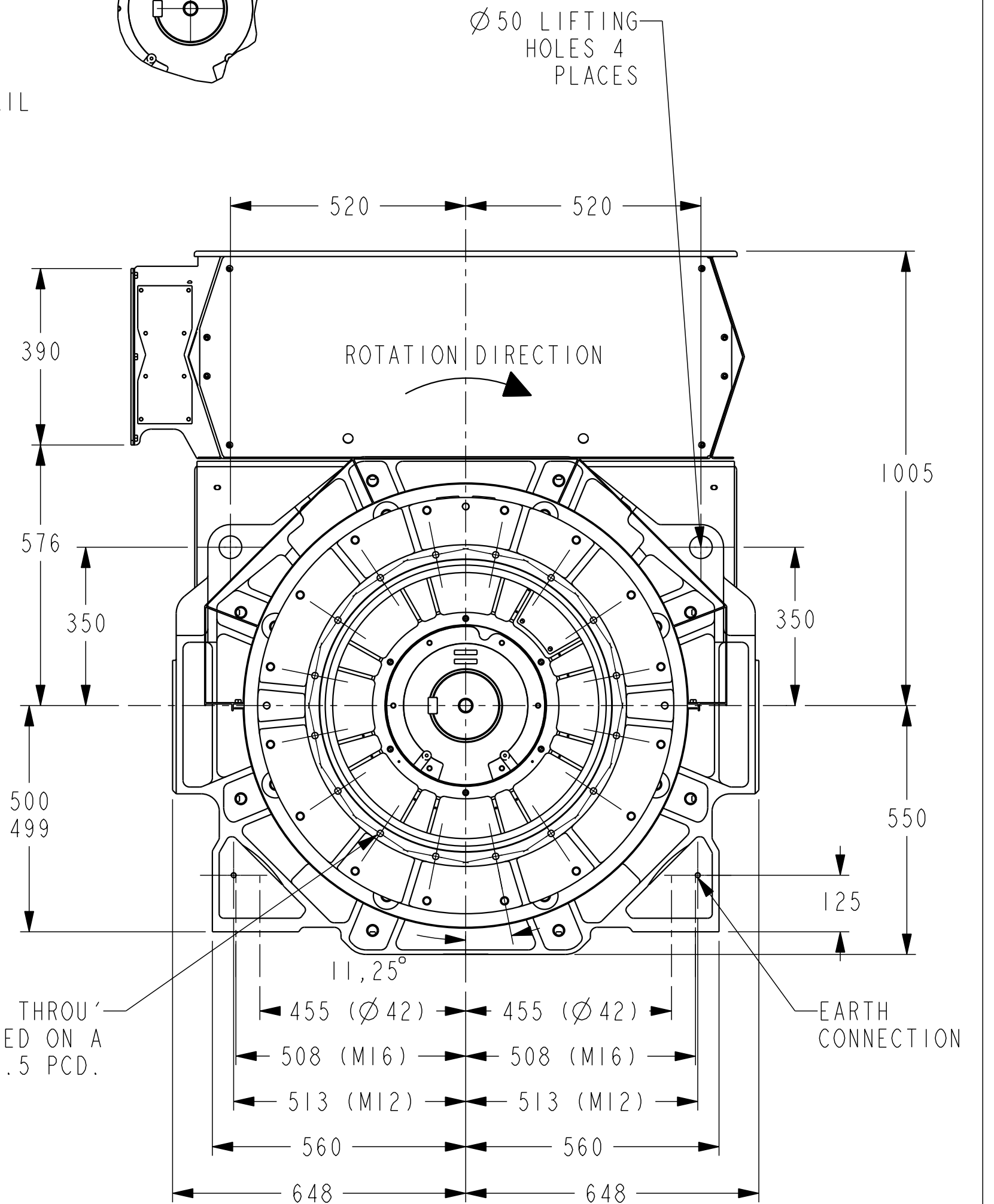


IF IN DOUBT-ASK  
DO NOT SCALE



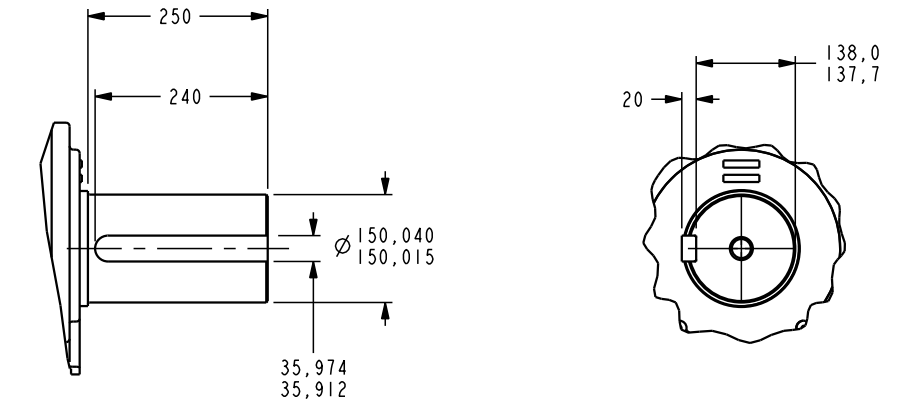
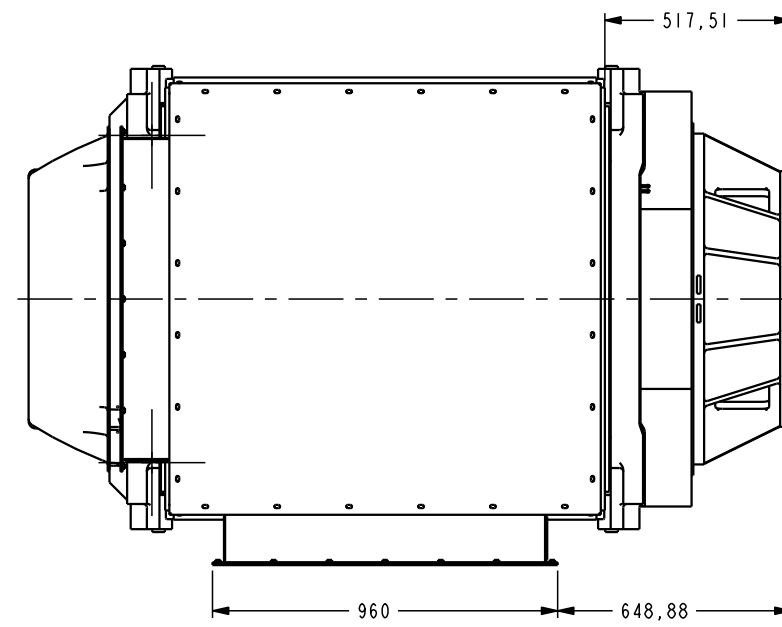
2 BEARING DETAIL  
SCALE 1:10



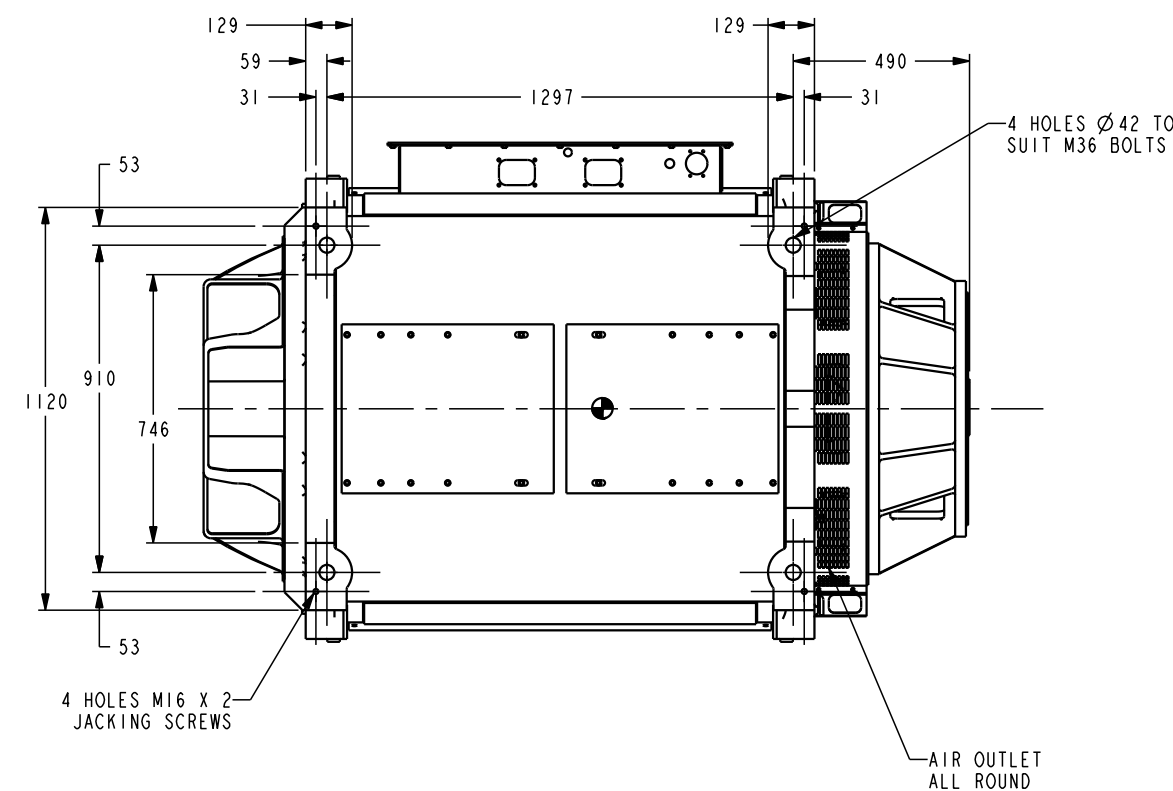
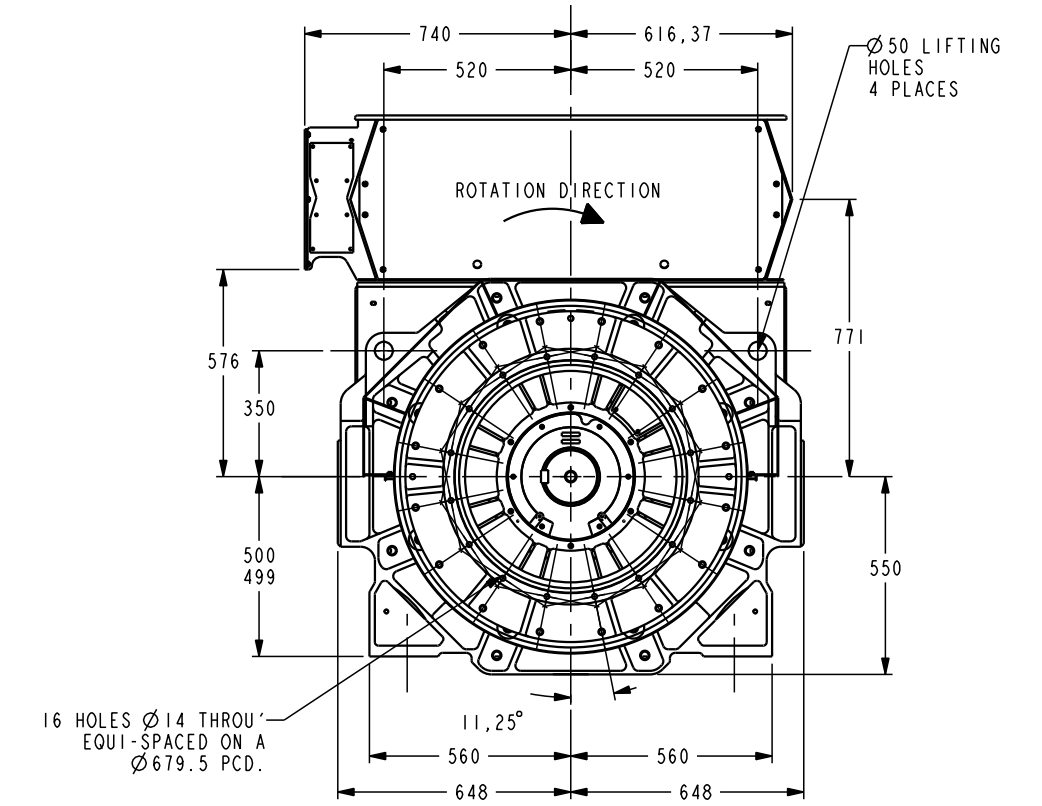
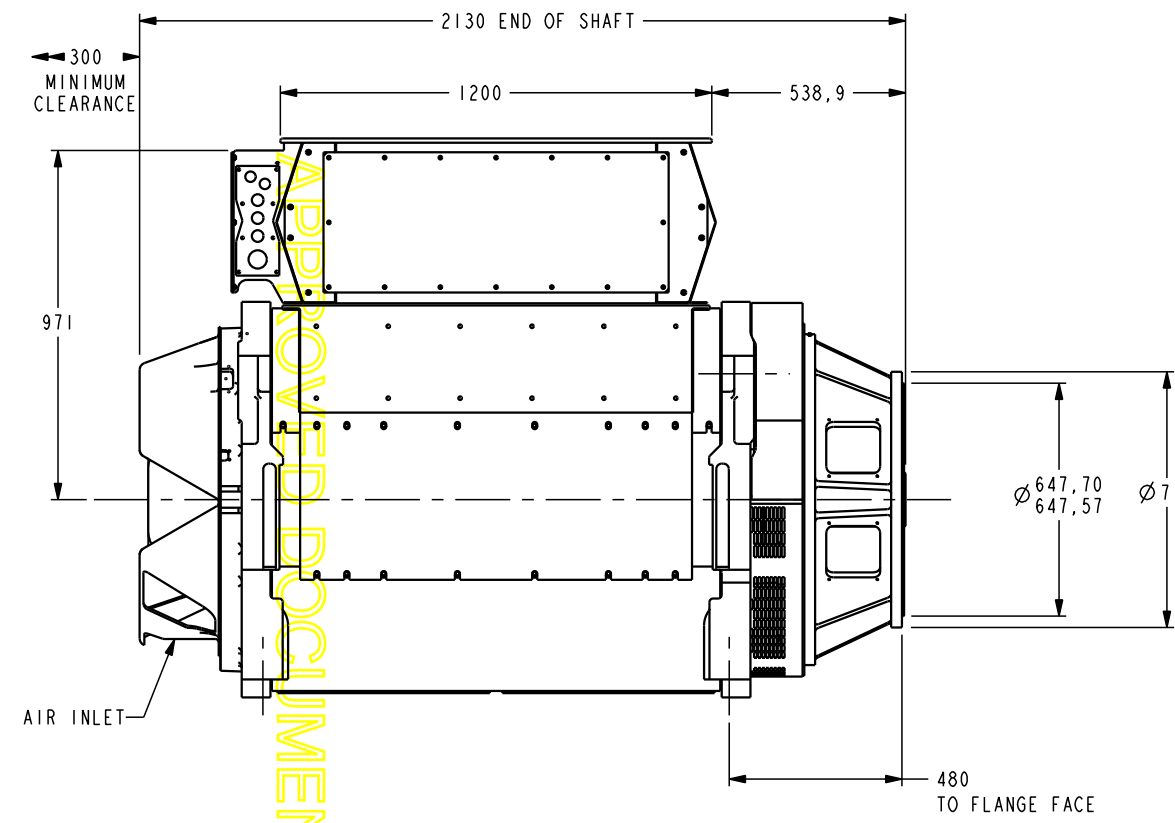
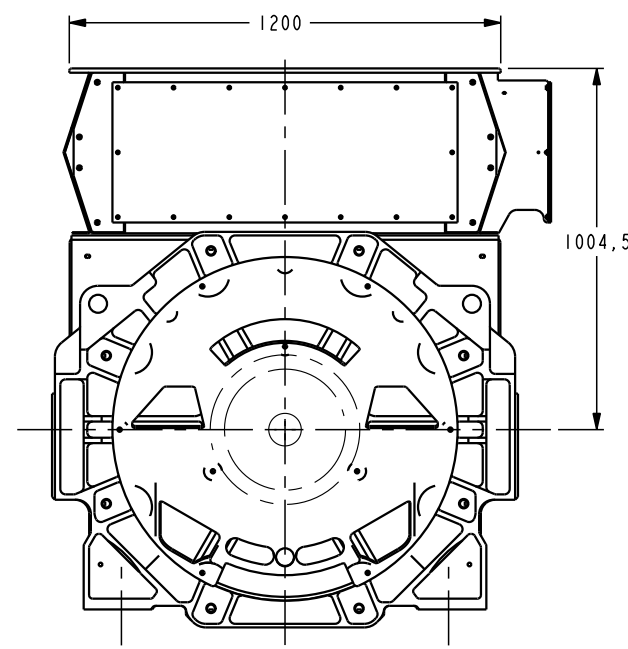
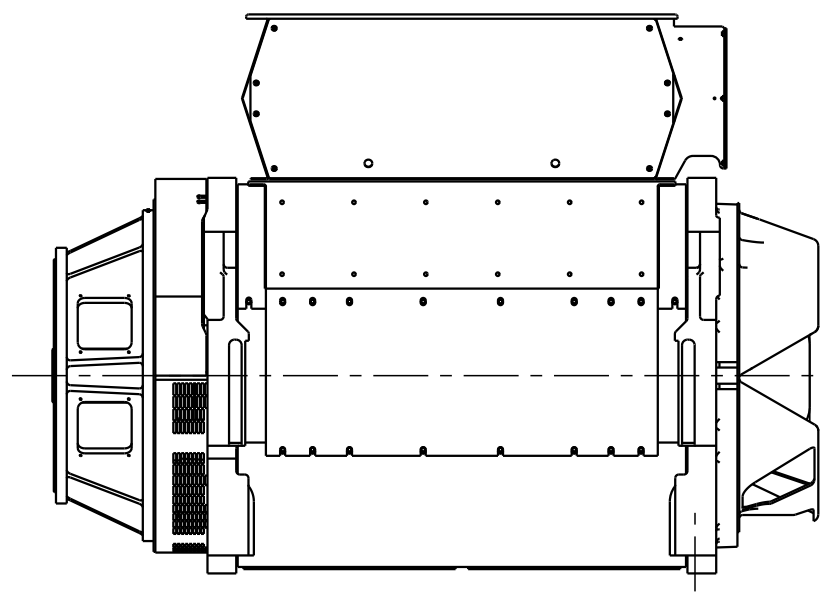
APPROVED DOCUMENT

|   |   |  |                  |   |            |                     |         |  |
|---|---|--|------------------|---|------------|---------------------|---------|--|
| <b>CONFIDENTIAL</b> PROPERTY OF<br>CUMMINS GENERATOR TECHNOLOGIES LTD |   |  |                  | P80 ALTERNATOR MV R CORE<br>CENTRE HEIGHT = INTEGRAL 500<br>CONNECTION ADAPTOR SAE0 |            |                     |         |  |
| MATERIAL PROPS  | - | DIMENSIONS IN MILLIMETRES<br>(MM) AT 20°C<br><br>SURFACE FINISH VALUES<br>IN MICRO METRES<br><br>UNLIMITED DIMS ± -- | PROJECTION       |   | SCALE      | MATERIAL            |         |  |
| FINISH SPEC   | - |  |                  |   | 1:10       | SEE BOM             |         |  |
| GEOMETRY SPEC   | - |  | WEIGHT = 5546 KG |   | DRG. SIZE  | CASTING No          |         |  |
| ASSEMBLY SPEC   | - |  | DRAWN            | IAM   | 11/09/07   | C                   | PART No |  |
| PERFORMANCE SPEC  | - |  | CHECKED          | IAM   | 11/09/07   | P                   | 80-2395 |  |
| QUALITY SPEC  | - | APPROVED   | R.MAC            | 11/09/07  | REL. PHASE | ISSUE               |         |  |
|   |   |  |                  |   |            | A                   |         |  |
|   |   |  |                  |   |            | SHEET 1 OF 2 SHEETS |         |  |

|           |       |       |          |                |
|-----------|-------|-------|----------|----------------|
| 4-8326-05 | A     | IAM   | 11/09/07 | ORIGINAL ISSUE |
| MOD.      | ISSUE | DRAWN | DATE     | MODIFICATION   |



2 BEARING SHAFT DETAIL  
SCALE 1:5



|                     |              |
|---------------------|--------------|
| FRAME               | P80          |
| CORE LENGTH         | R            |
| VOLTAGE RATING      | MV           |
| BEARINGS            | 2            |
| CENTRE HEIGHT       | INTEGRAL 500 |
| ADAPTOR             | SAE0         |
| COUPLING            | NONE         |
| ENCLOSURE           | IP23         |
| CABLE ENTRY FROM DE | LEFT         |

|  |   |   |                         |   |                     |
|--|---|---|-------------------------|---|---------------------|
| <b>CONFIDENTIAL PROPERTY OF<br/>CUMMINS GENERATOR TECHNOLOGIES LTD</b> |   |   |                         | P80 ALTERNATOR MV R CORE<br>CENTRE HEIGHT = INTEGRAL 500<br>CONNECTION ADAPTOR SAE0 |                     |
| MATERIAL PROPS   | - | DIMENSIONS IN MILLIMETRES<br>(MM) AT 20°C | PROJECTION              | SCALE   | MATERIAL            |
| FINISH SPEC  | - | SURFACE FINISH VALUES<br>IN MICRO METRES  |                         | 1:10  | SEE BOM             |
| GEOMETRY SPEC  | - | UNLIMITED DIMS ±                          | WEIGHT = 5546 KG        | DRG. SIZE   | CASTING No          |
| ASSEMBLY SPEC  | - |   | DRAWN IAM 11/09/07      | A   |                     |
| PERFORMANCE SPEC   | - |   | CHECKED IAM 11/09/07    | REL. PHASE  | PART No             |
| QUALITY SPEC   | - |   | APPROVED R.MAC 11/09/07 | P   | 80-2395             |
|  |   |   |                         | REL. PHASE  | ISSUE               |
|  |   |   |                         | P   | A                   |
|  |   |   |                         | PREP/ENGINEER   | SHEET 2 OF 2 SHEETS |

|           |       |       |          |                |
|-----------|-------|-------|----------|----------------|
| 4-8326-05 | A     | IAM   | 11/09/07 | ORIGINAL ISSUE |
| MOD.      | ISSUE | DRAWN | DATE     | MODIFICATION   |