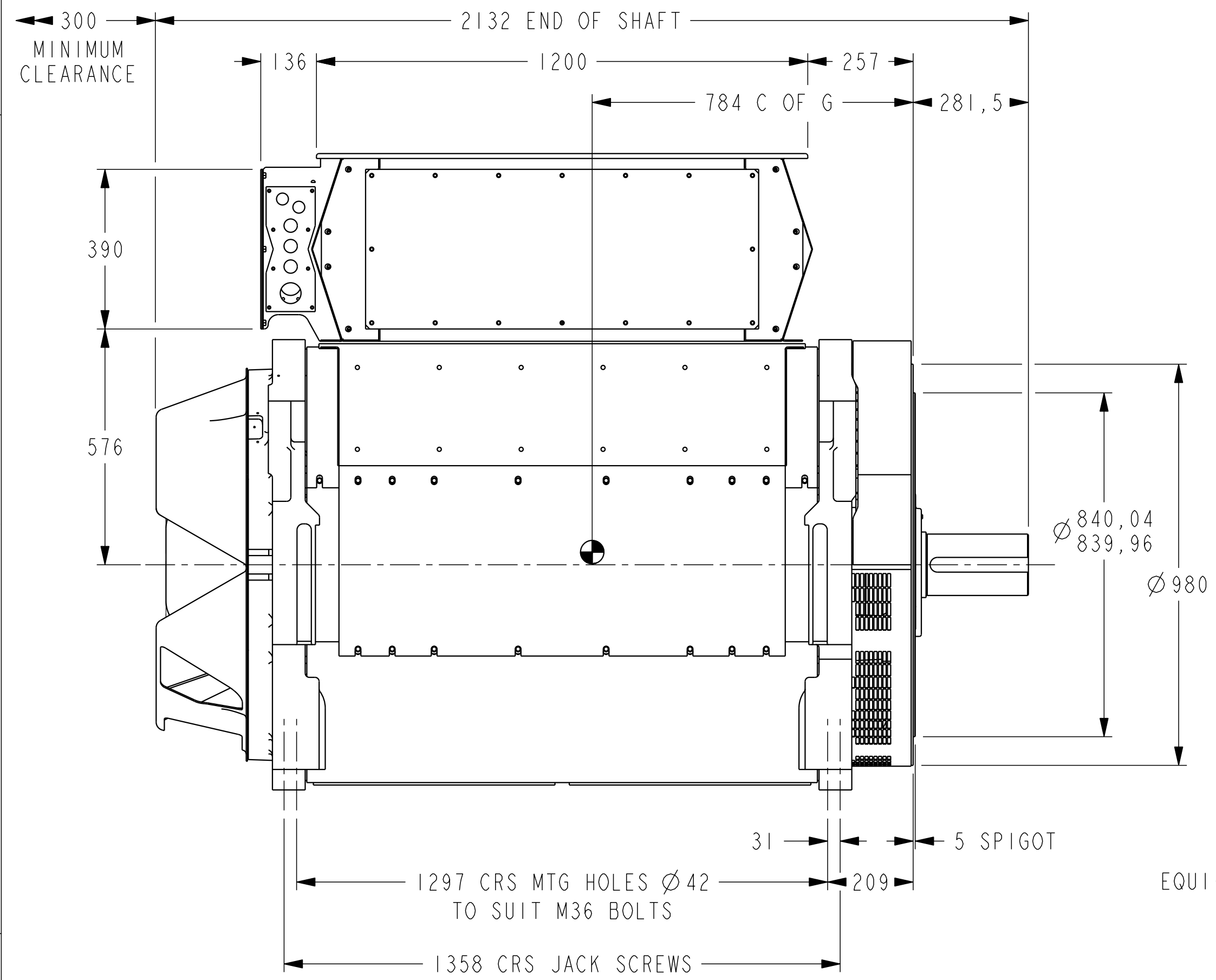
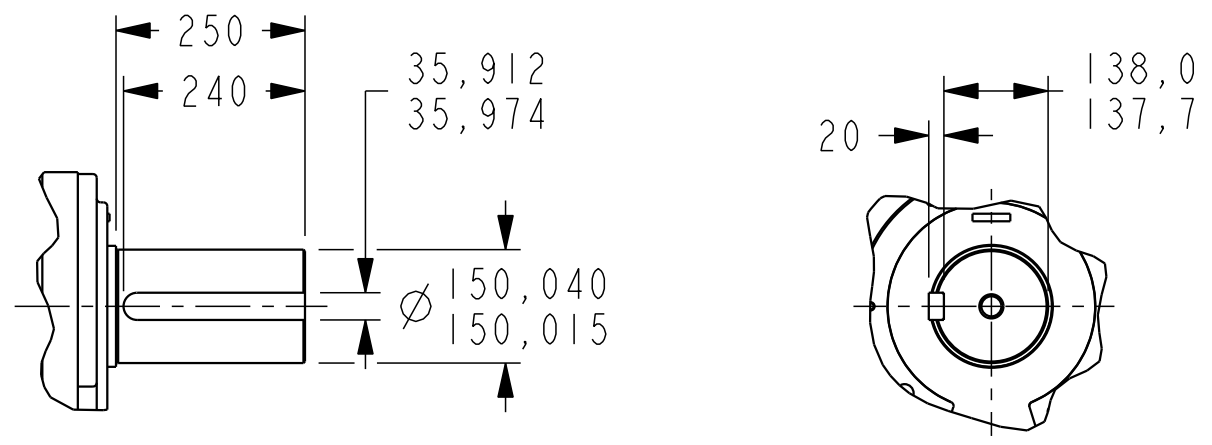


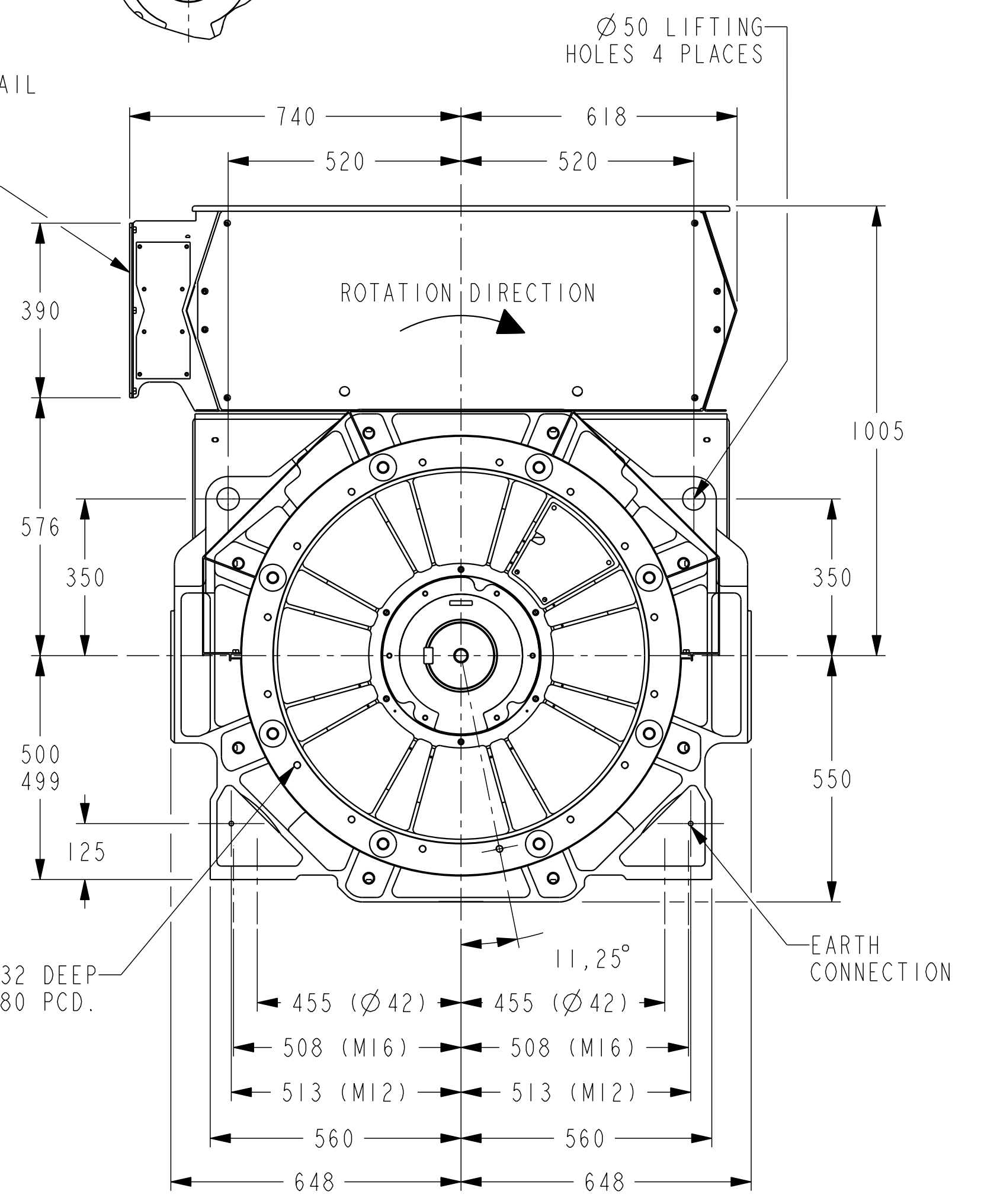
REL NO	REV	NO	REVISION	DWN	CKD	APVD	DATE
ECO-167078	B	1	DRAWING BORDER AND DIMENSIONING UPDATED	AS	AS	D.LEE	04JAN17



2 BEARING DETAIL
SCALE 1:10

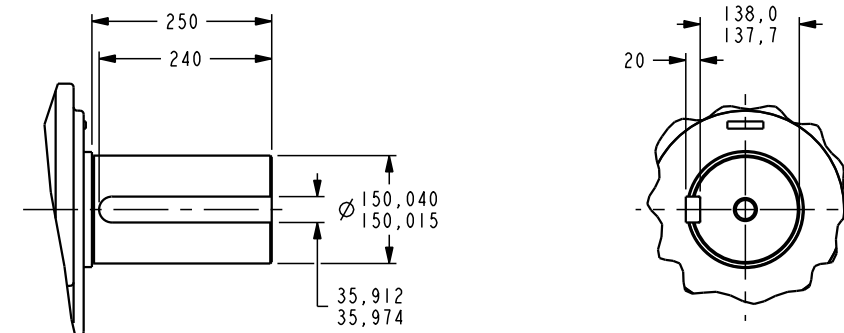
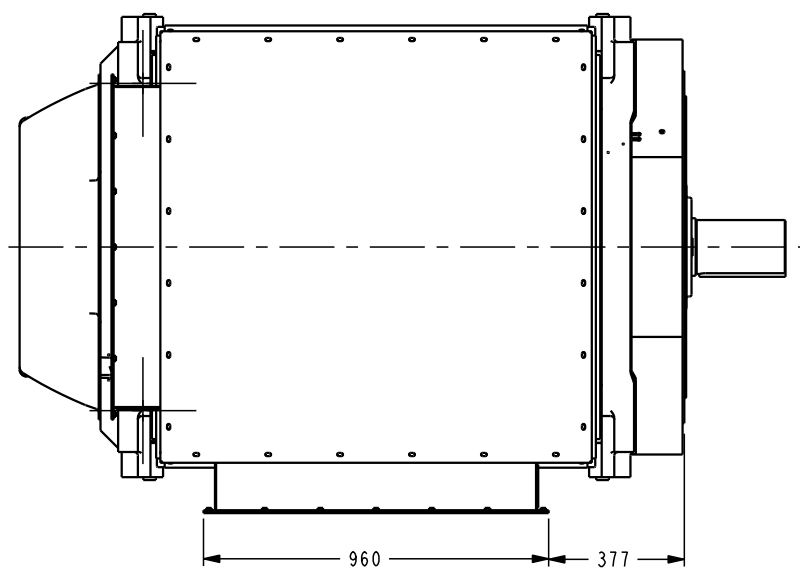
5MM THK ALUMINIUM GLAND PLATE

16-HOLES M16 X 32 DEEP
EQUI-SPACED ON AN 880 PCD.

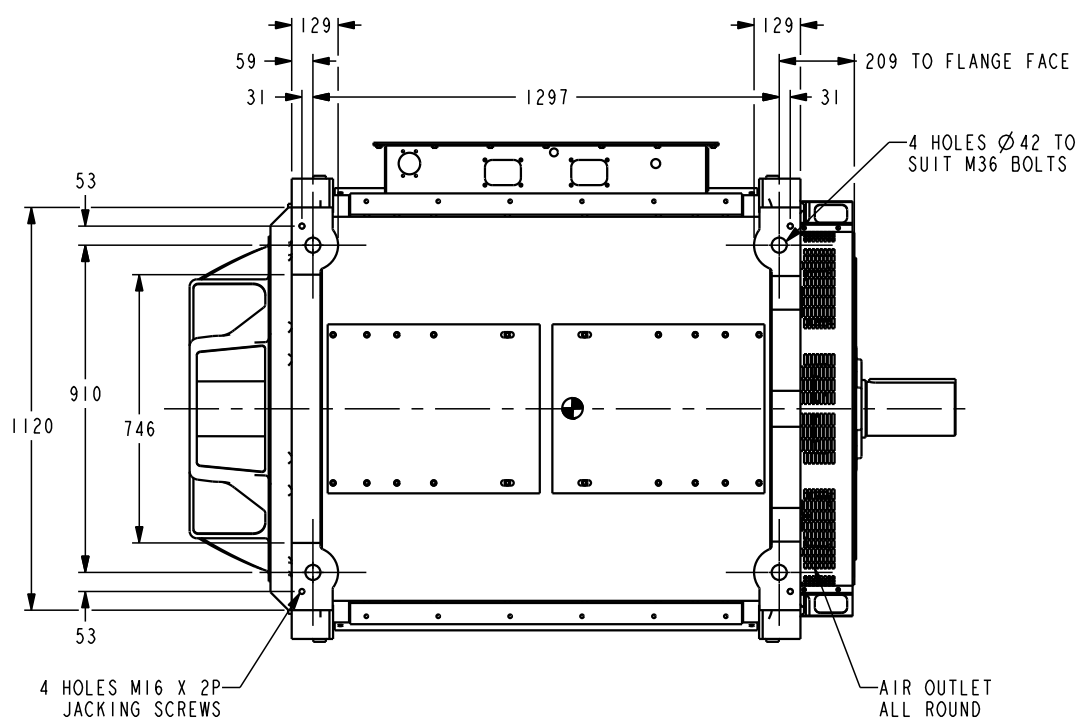
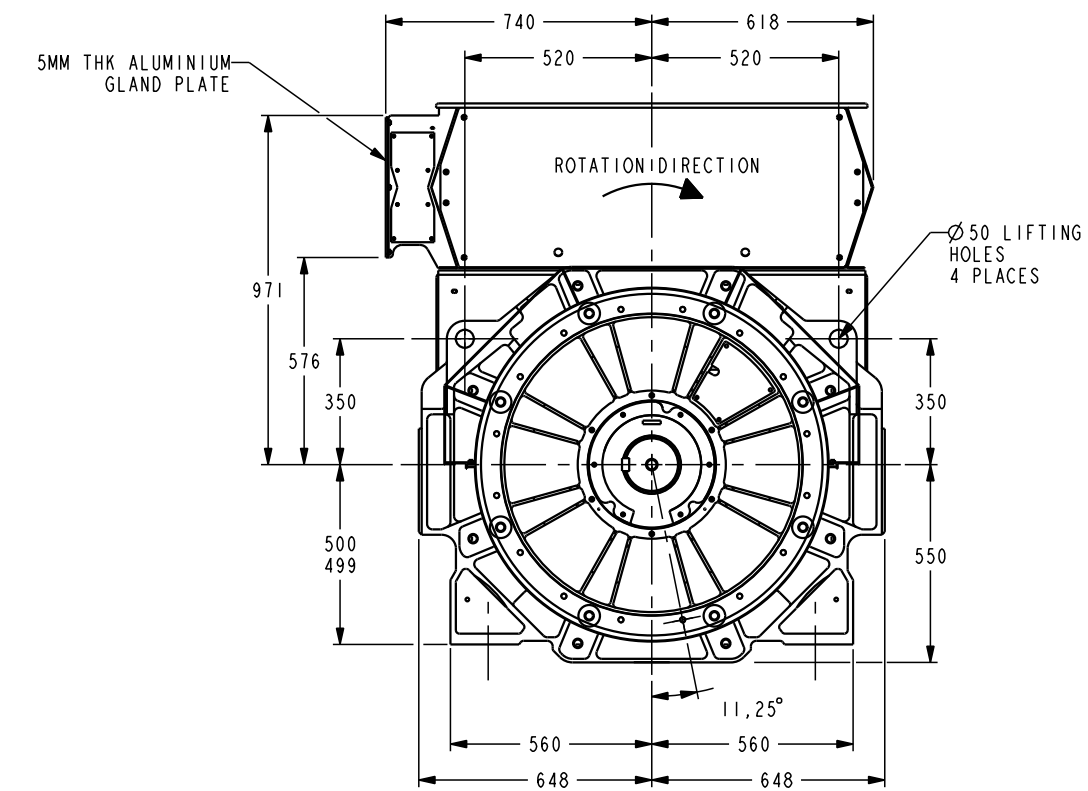
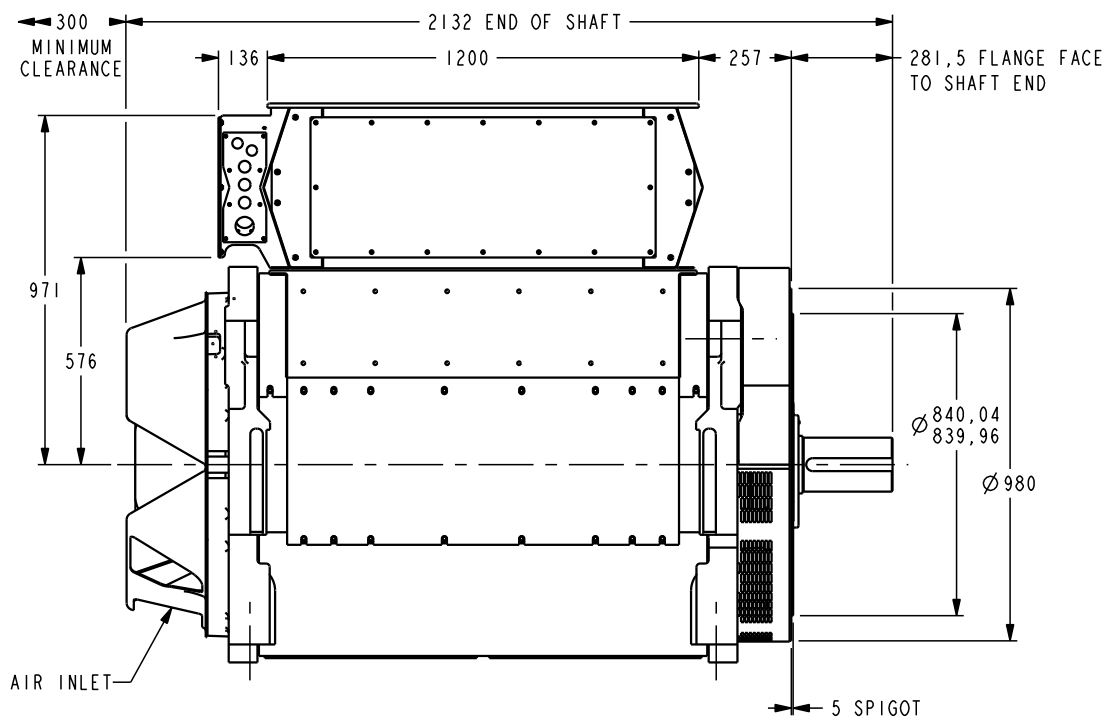
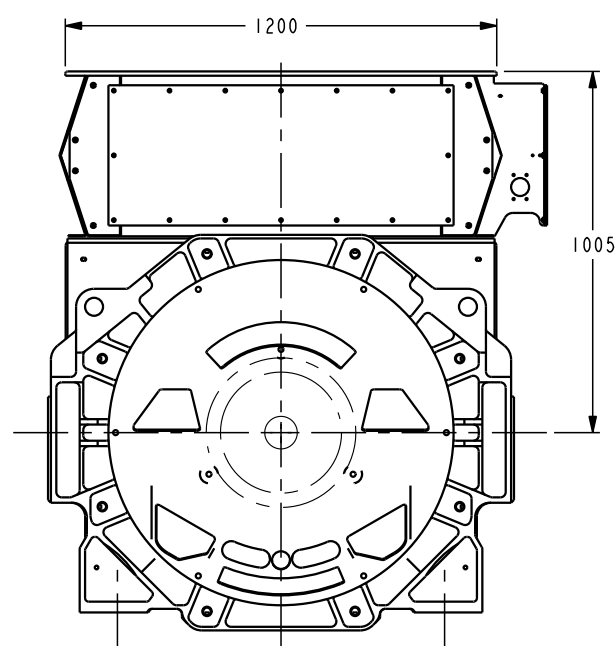
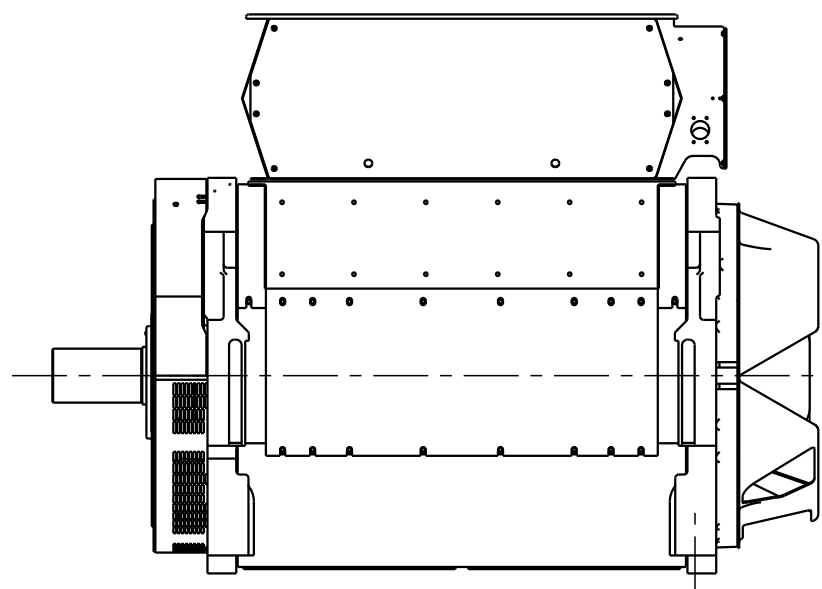


NOMINAL WEIGHT BASED ON CAD MODEL 5647KG; NOT FOR INSPECTION

UNLESS OTHERWISE SPECIFIED, ALL DIMENSIONS ARE IN MILLIMETERS	SIM TO	DWN I. MUGHAL		CUMMINS GENERATOR TECHNOLOGIES	
	DO NOT SCALE PRINT	CKD I. MUGHAL		DRAWING, GENERAL ASSEMBLY	
SCALE 1:10		APVD R. MACMENEY	SITE CODE	P80 HV S CORE / INTEGRATED FOOT	
THIS DOCUMENT (AND THE INFORMATION SHOWN THEREON) IS CONFIDENTIAL AND PROPRIETARY AND SHALL NOT BE DISCLOSED TO OTHERS IN HARD COPY OR ELECTRONIC FORM, REPRODUCED BY ANY MEANS, OR USED FOR ANY PURPOSE WITHOUT WRITTEN CONSENT OF CUMMINS INC.	FOR INTERPRETATION OF DIMENSIONING AND TOLERANCING, SEE ASME Y14.5-2009	DATE 11SEP07	STA	DWG SIZE A2	80-2408
		FIRST USED ON			CAD SHEET 1 of 2



2 BEARING SHAFT DETAIL
SCALE 1:5



NOMINAL WEIGHT BASED ON CAD MODEL 5647KG; NOT FOR INSPECTION

UNLESS OTHERWISE SPECIFIED, ALL DIMENSIONS ARE IN MILLIMETERS	DO NOT SCALE PRINT	DRW: I. MUGHAL CDR: I. MUGHAL APPD: R. MACNEMEMY DATE: 11 SEP 07	CUMMINS GENERATOR TECHNOLOGIES DRAWING, GENERAL ASSEMBLY P80 HV S CORE / INTEGRATED FOOT
SCALE: 1:10		SITE CODE: STA AO	80-2408
<small>THIS DOCUMENT IS THE PROPERTY OF CUMMINS GENERATOR TECHNOLOGIES. IT IS TO BE USED ONLY FOR THE PROJECT AND SITE SPECIFICALLY IDENTIFIED HEREIN. IT IS NOT TO BE REPRODUCED, COPIED, OR TRANSMITTED IN ANY FORM OR BY ANY MEANS, ELECTRONIC OR MECHANICAL, INCLUDING PHOTOCOPYING, RECORDING, OR BY ANY INFORMATION STORAGE AND RETRIEVAL SYSTEM, WITHOUT THE WRITTEN PERMISSION OF CUMMINS.</small>			CAD SHEET: 2 of 2