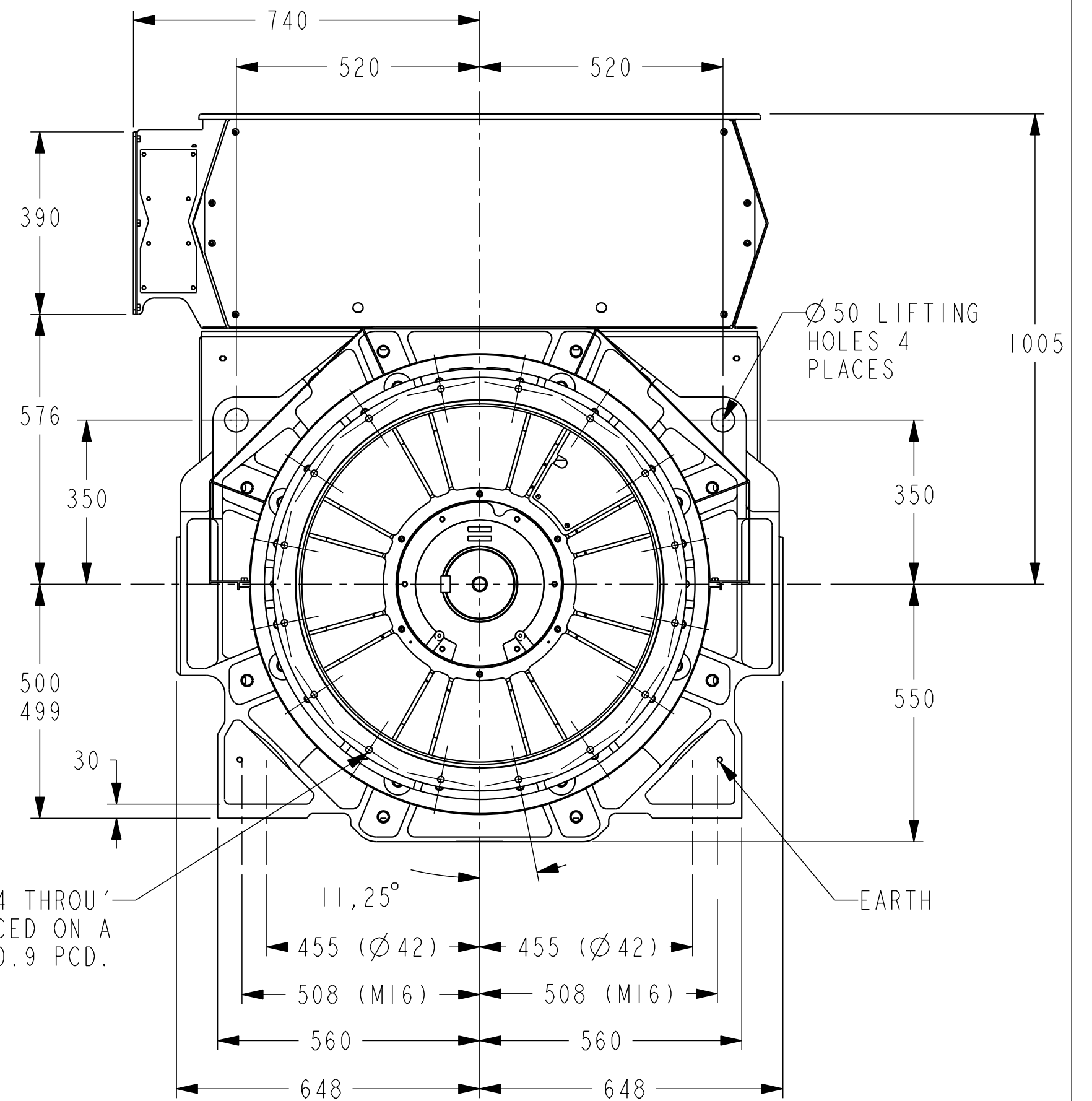
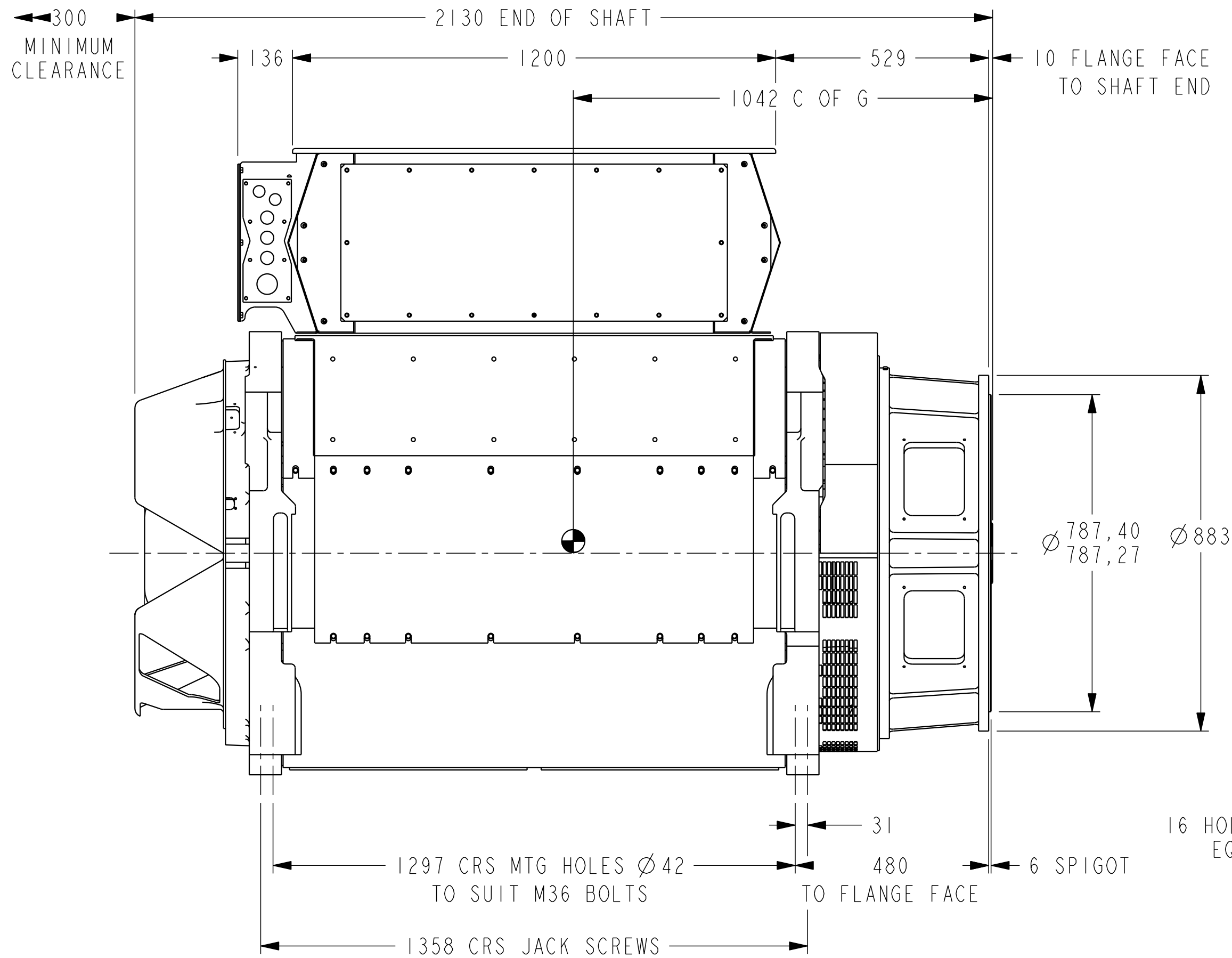
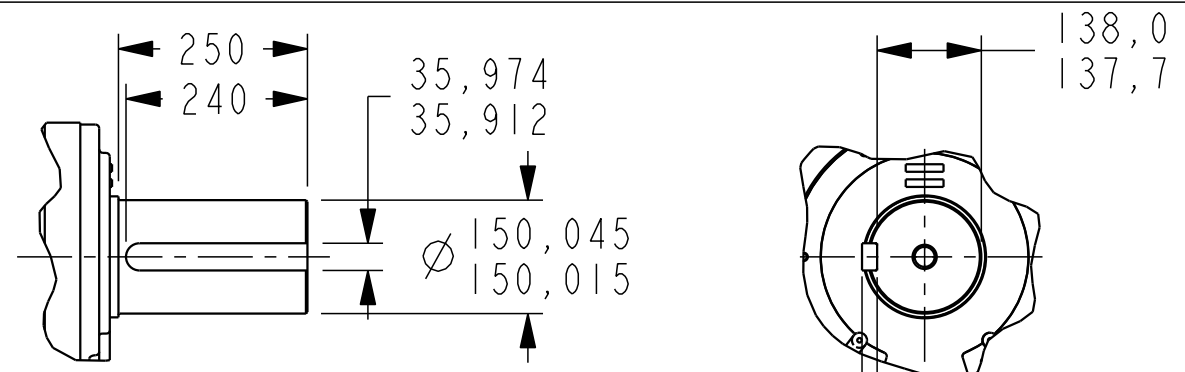


DRG. SIZE C	REL. PHASE P	PART No 80-2410	ISSUE A
----------------	-----------------	--------------------	------------

IF IN DOUBT-ASK
DO NOT SCALE



16 HOLES Ø14 THRU
EQUI-SPACED ON A
Ø850.9 PCD.

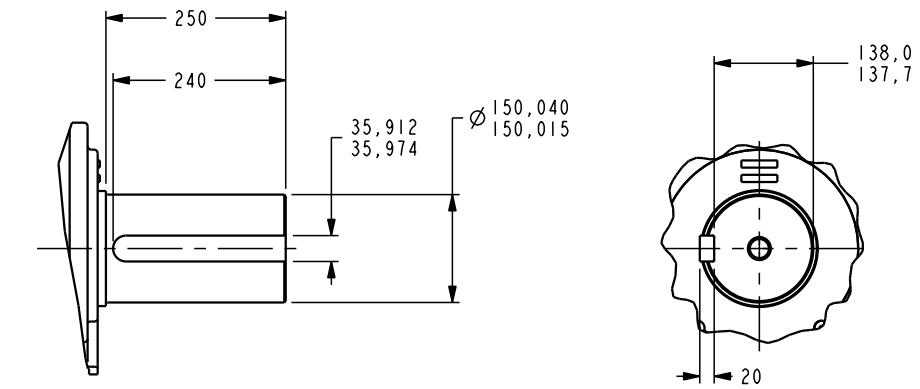
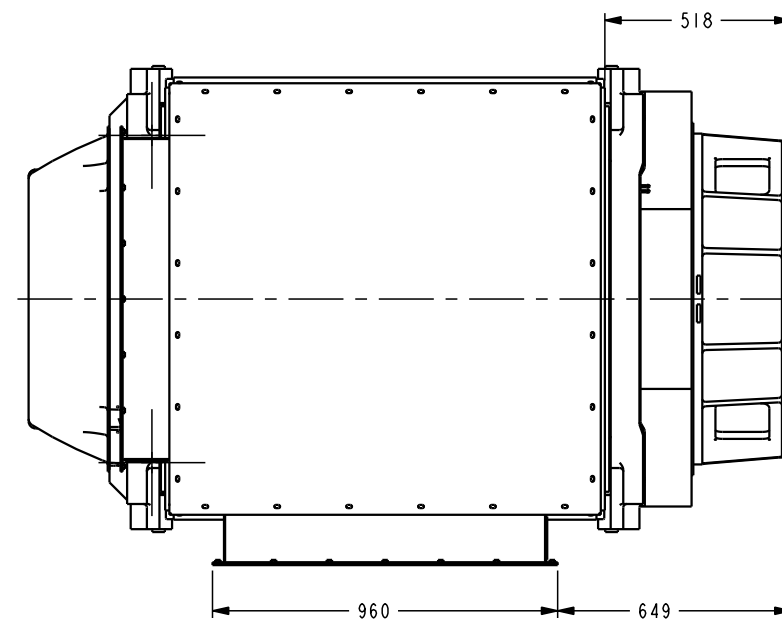
CONFIDENTIAL PROPERTY OF
CUMMINS GENERATOR TECHNOLOGIES LTD

P80 ALTERNATOR HV S CORE
CENTRE HEIGHT = INTEGRAL 500
CONNECTION ADAPTOR SAE00

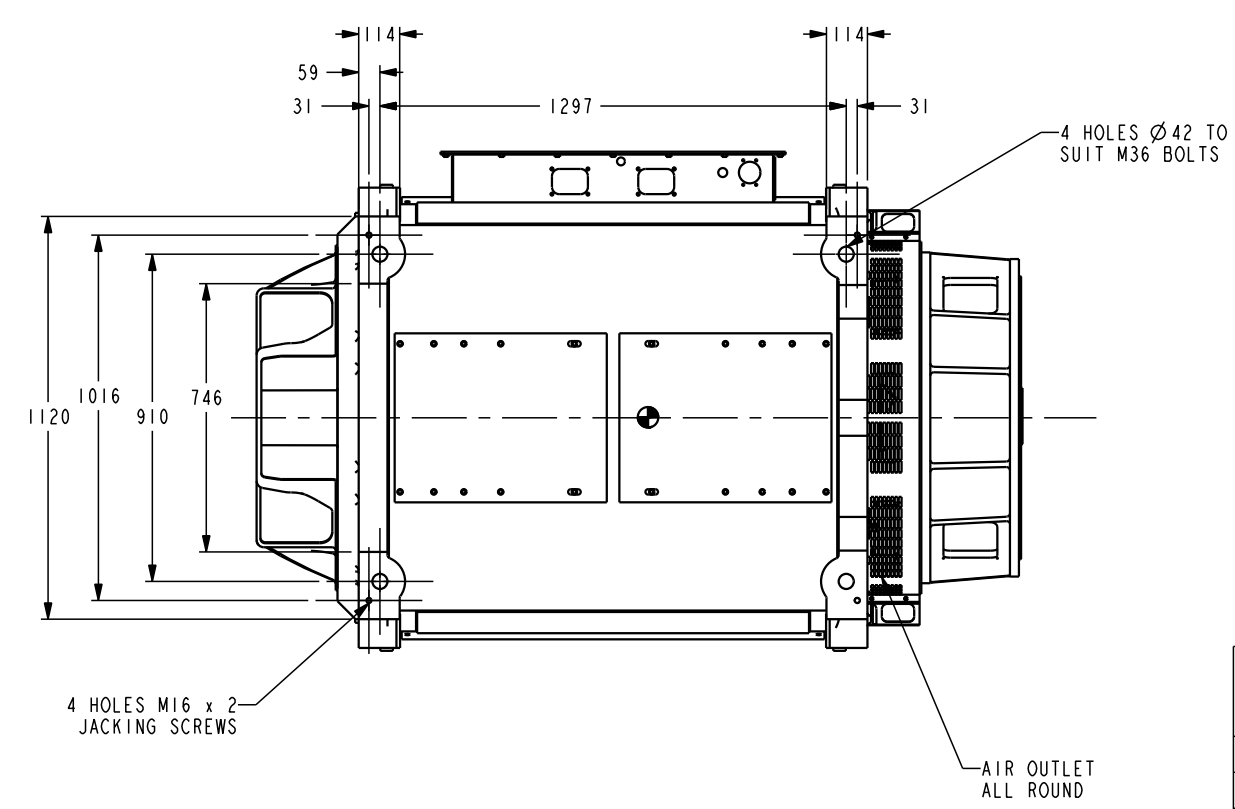
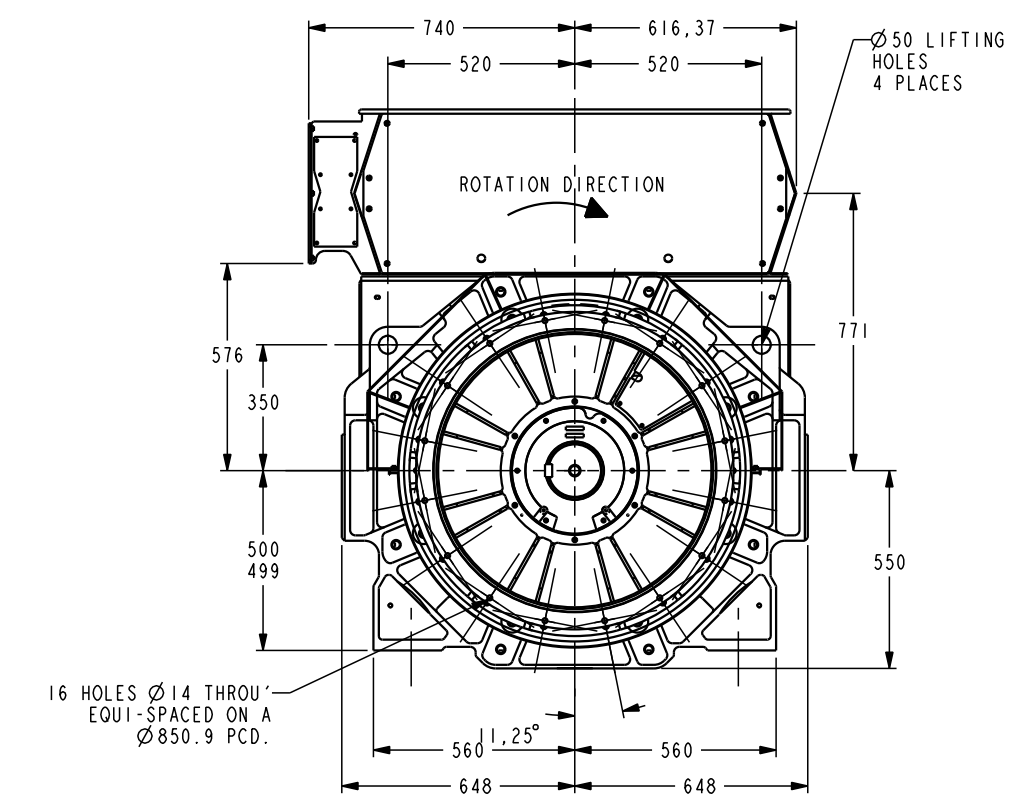
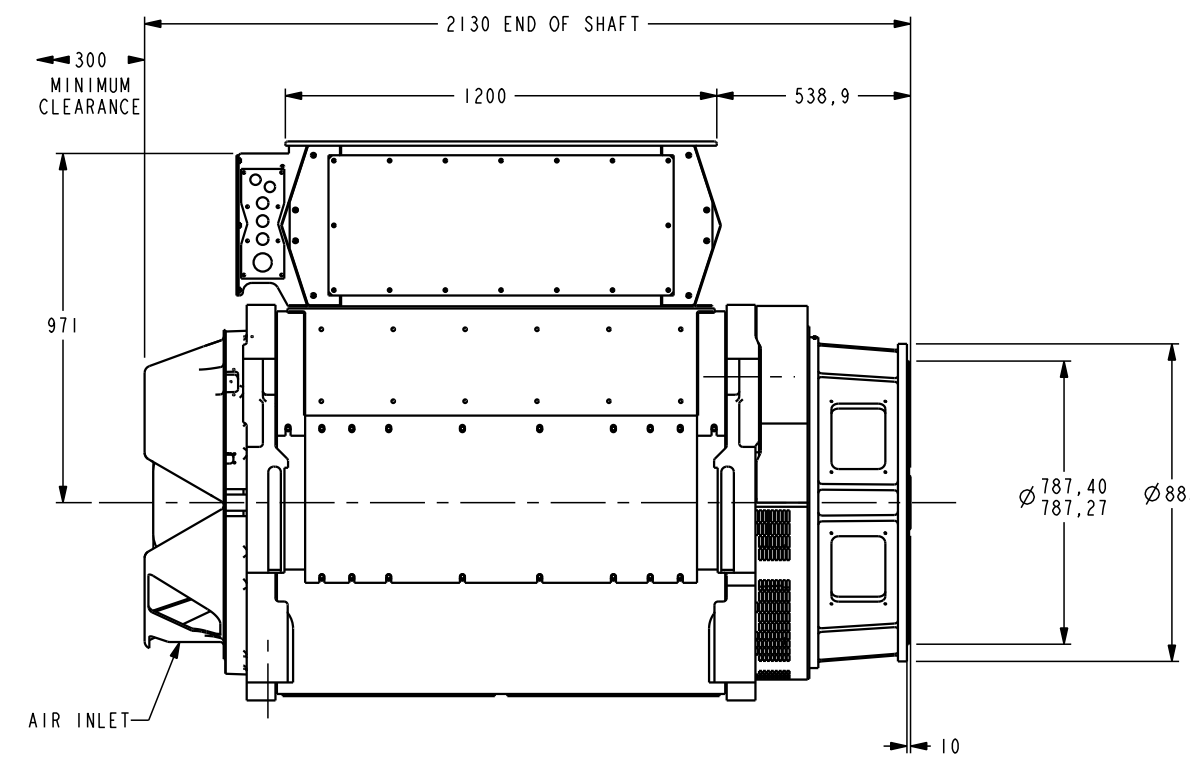
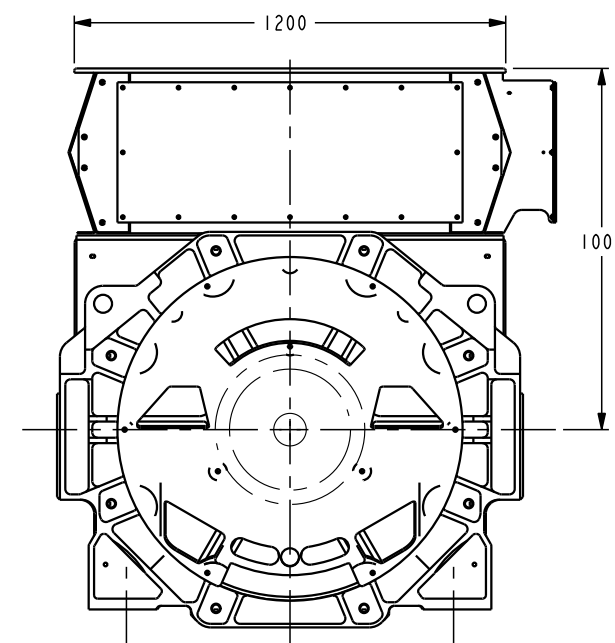
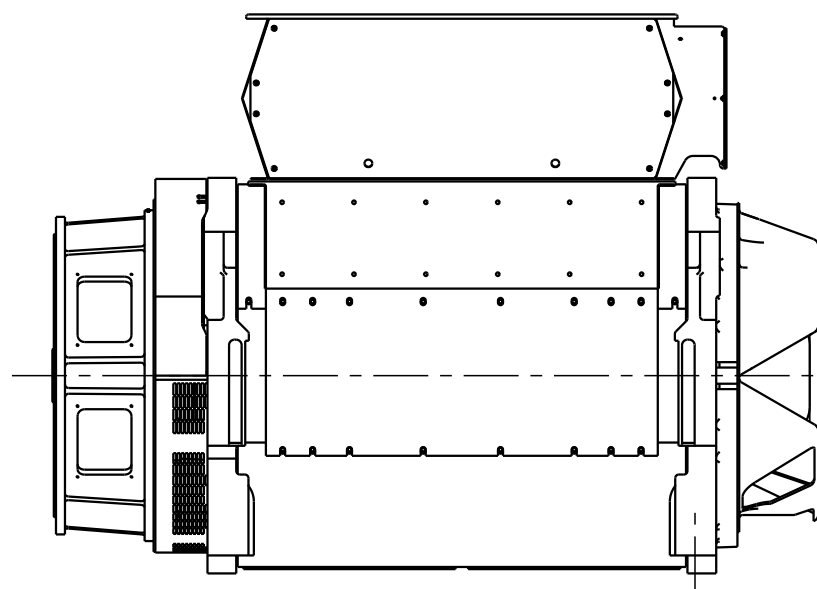
4-8326-03	A	R.MAC	18/06/07	ORIGINAL ISSUE
MOD.	ISSUE	DRAWN	DATE	MODIFICATION

MATERIAL PROPS	-	DIMENSIONS IN MILLIMETRES (MM) AT 20°C	PROJECTION										
FINISH SPEC	-												
GEOMETRY SPEC	-		WEIGHT = 5798 KG										
ASSEMBLY SPEC	-		<table border="1"> <tr> <td>DRAWN</td> <td>R.MAC</td> <td>18/06/07</td> </tr> <tr> <td>CHECKED</td> <td>R.MAC</td> <td>18/06/07</td> </tr> <tr> <td>APPROVED</td> <td>AS</td> <td>18/06/07</td> </tr> </table>			DRAWN	R.MAC	18/06/07	CHECKED	R.MAC	18/06/07	APPROVED	AS
DRAWN	R.MAC	18/06/07											
CHECKED	R.MAC	18/06/07											
APPROVED	AS	18/06/07											
PERFORMANCE SPEC	-	SURFACE FINISH VALUES IN MICRO METRES	DRG. SIZE C										
QUALITY SPEC	-		REL. PHASE P										
		UNLIMITED DIMS ± --	Pro/ENGINEER										

SCALE 1:10	MATERIAL SEE BOM
DRG. SIZE C	CASTING No -
REL. PHASE P	PART No 80-2410
	ISSUE A
SHEET 1 OF 2	SHEETS



2 BEARING SHAFT DETAIL
SCALE 1:5



FRAME	P80
CORE LENGTH	S
VOLTAGE RATING	HV
BEARINGS	2
CENTRE HEIGHT	INTEGRAL 500
ADAPTOR	SAE00
COUPLING	NONE
ENCLOSURE	IP23
CABLE ENTRY FROM DE	LEFT

CONFIDENTIAL PROPERTY OF CUMMINS GENERATOR TECHNOLOGIES LTD			P80 ALTERNATOR HV S CORE CENTRE HEIGHT = INTEGRAL 500 CONNECTION ADAPTOR SAE00	
MATERIAL PROPS	-	DIMENSIONS IN MILLIMETRES (MM) AT 20°C	PROJECTION	SCALE
FINISH SPEC	-	SURFACE FINISH VALUES IN MICRO METRES	WEIGHT = 5797.673 KG	1:10
GEOMETRY SPEC	-	UNLIMITED DIMS ±	DRWN R.MAC 18/06/07	DRG. SIZE
ASSEMBLY SPEC	-		CHEKED R.MAC 18/06/07	A
PERFORMANCE SPEC	-		APPROVED AS 18/06/07	REL. PHASE
QUALITY SPEC	-			P
			DESIGNER	MATERIAL
				SEE BOM
				CASTING No
				PART No
				80-2410
				ISSUE
				A
				SHEET
				2 OF 2 SHEETS

4-8326-03	A	R.MAC	18/06/07	ORIGINAL ISSUE
MOD.	ISSUE	DRAWN	DATE	MODIFICATION