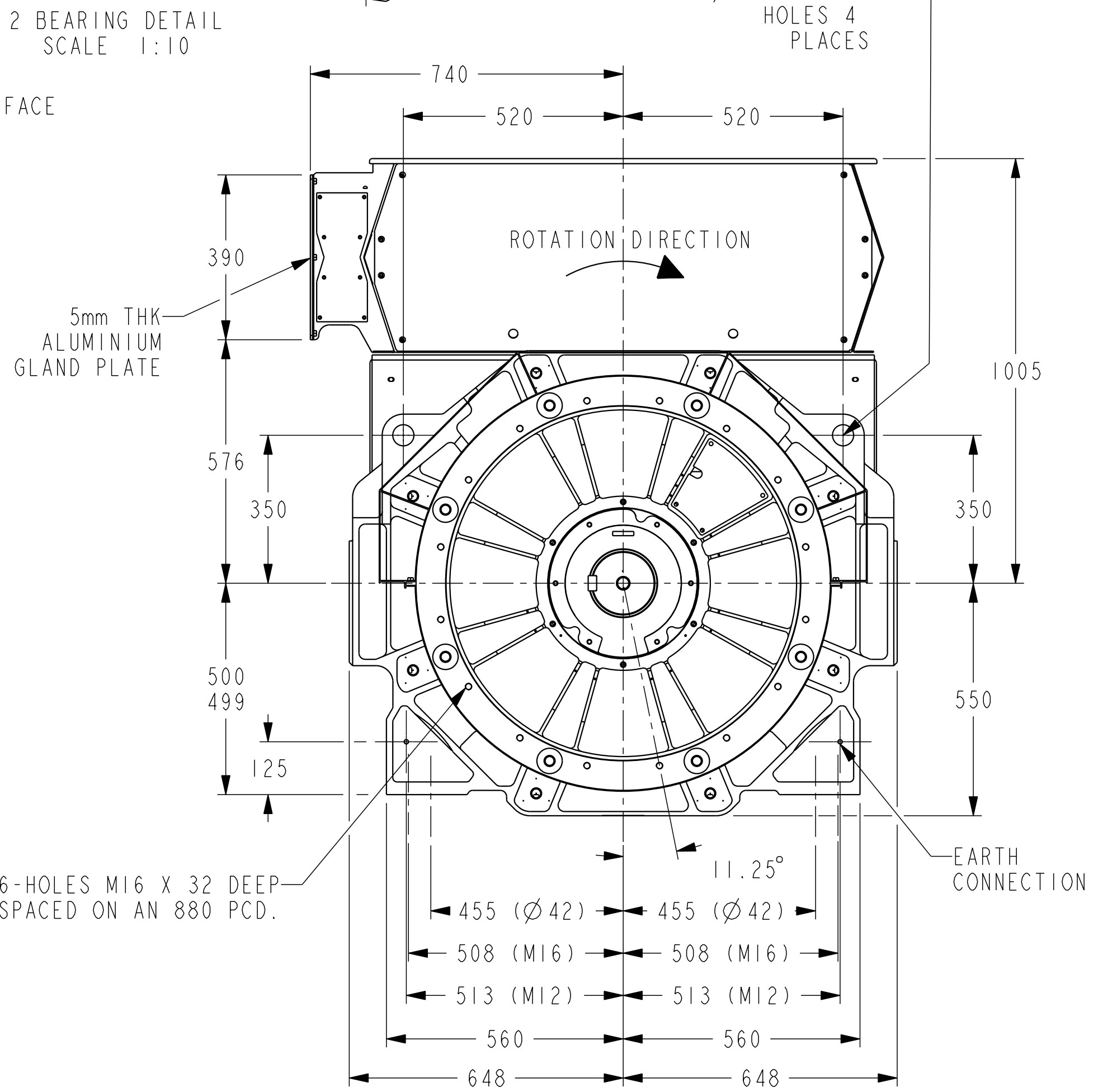
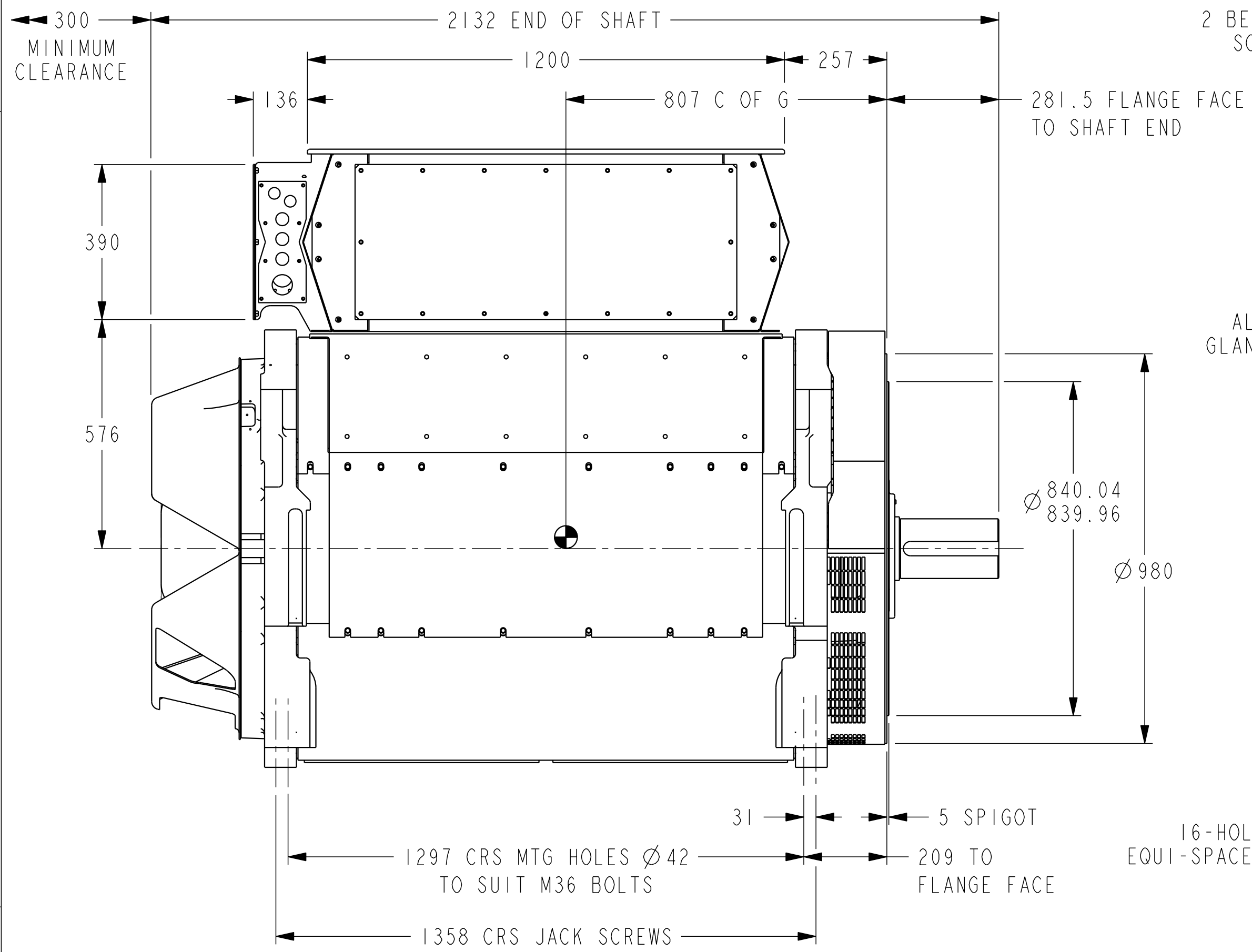
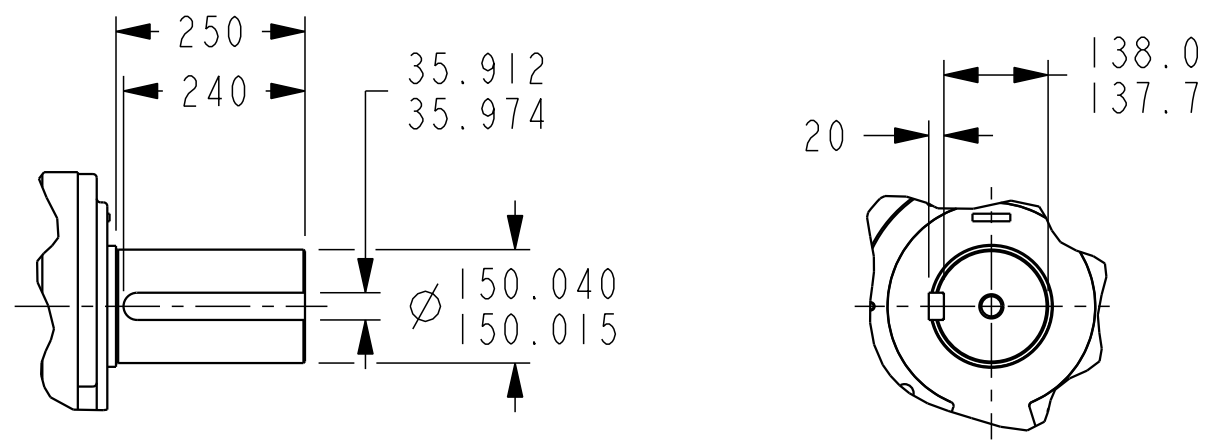
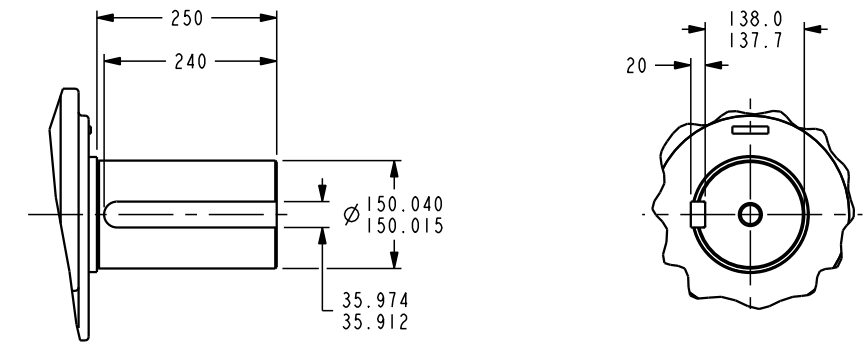
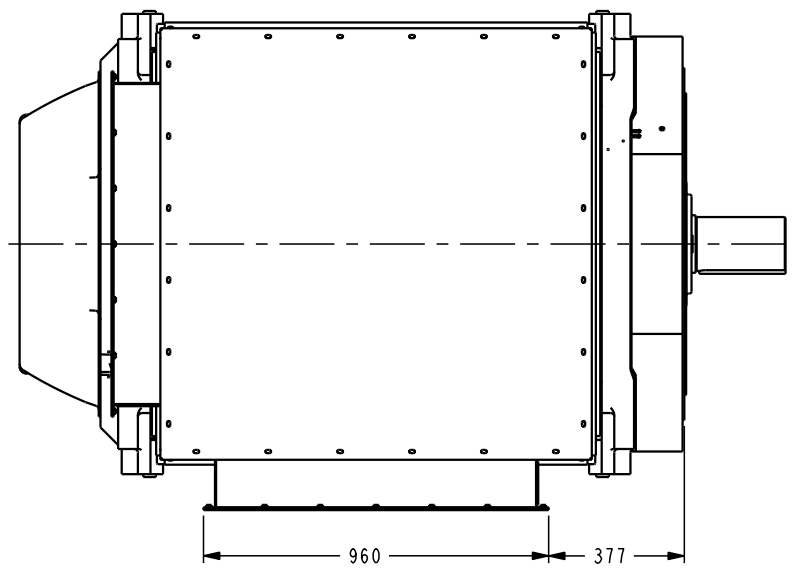


REL NO	REV	NO	REVISION	DWN	CKD	APVD	DATE
ECO-164944	B	1	DRAWING BORDER AND DIMENSIONING UPDATED.	AS	AS	D.LEE	21SEP16

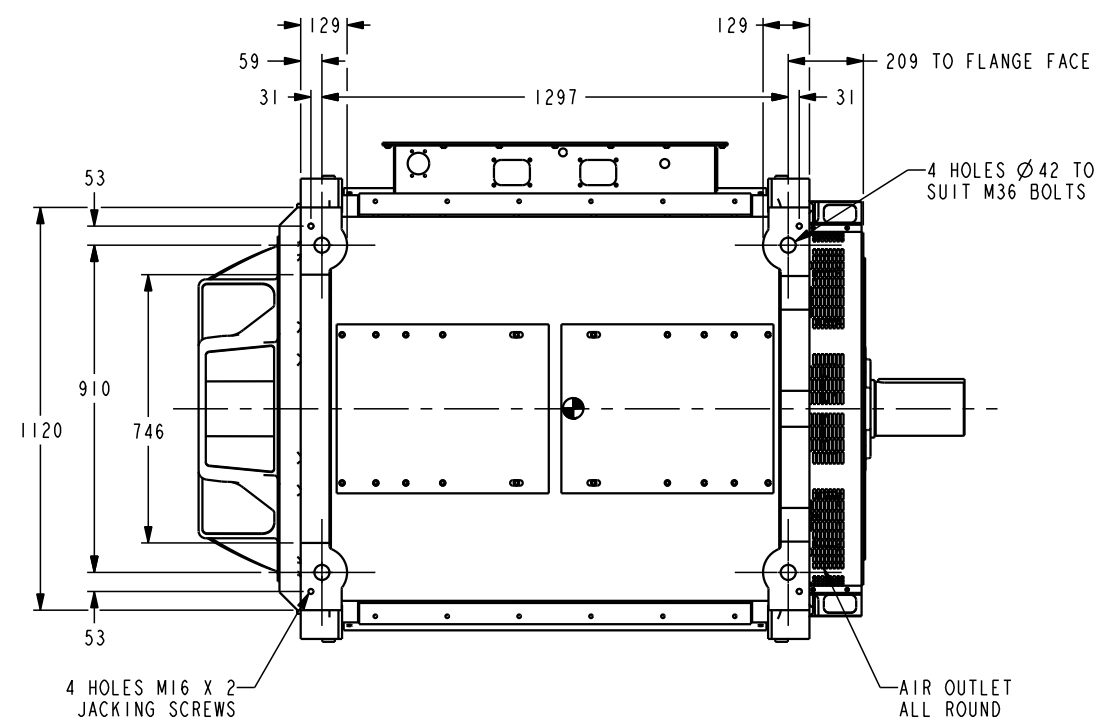
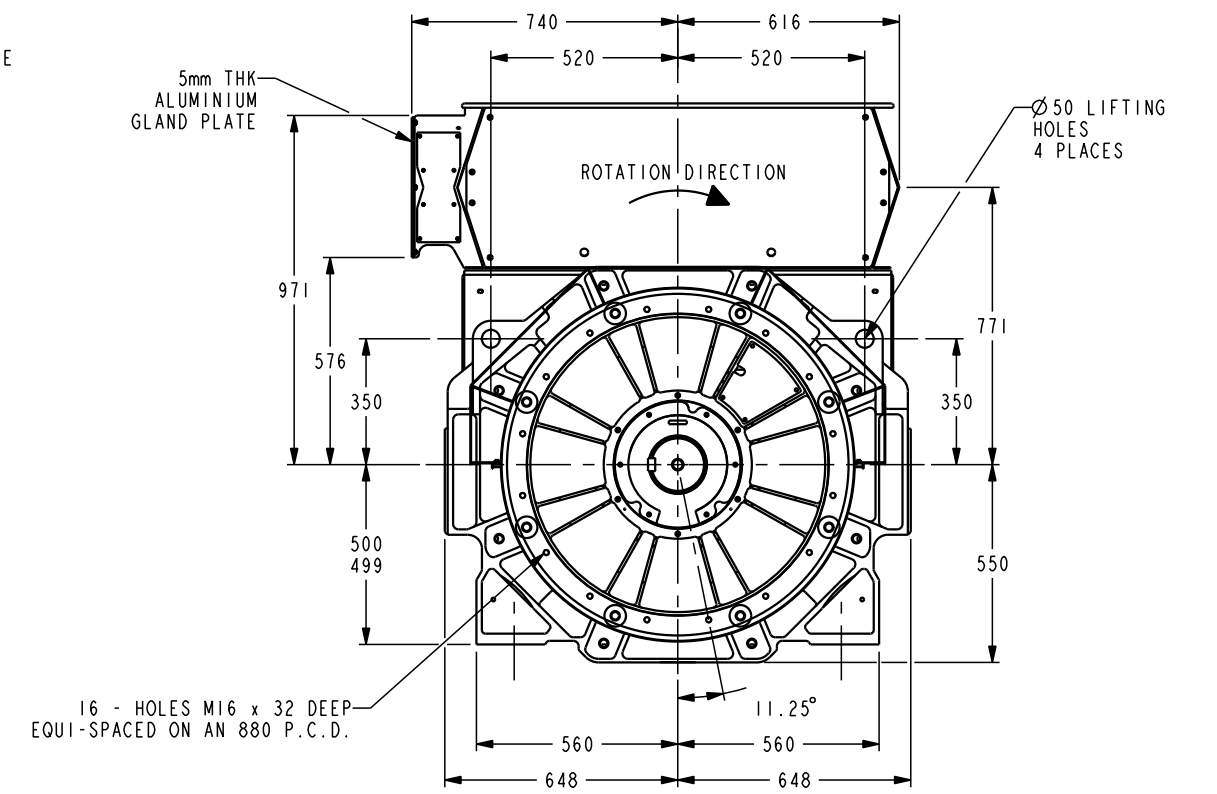
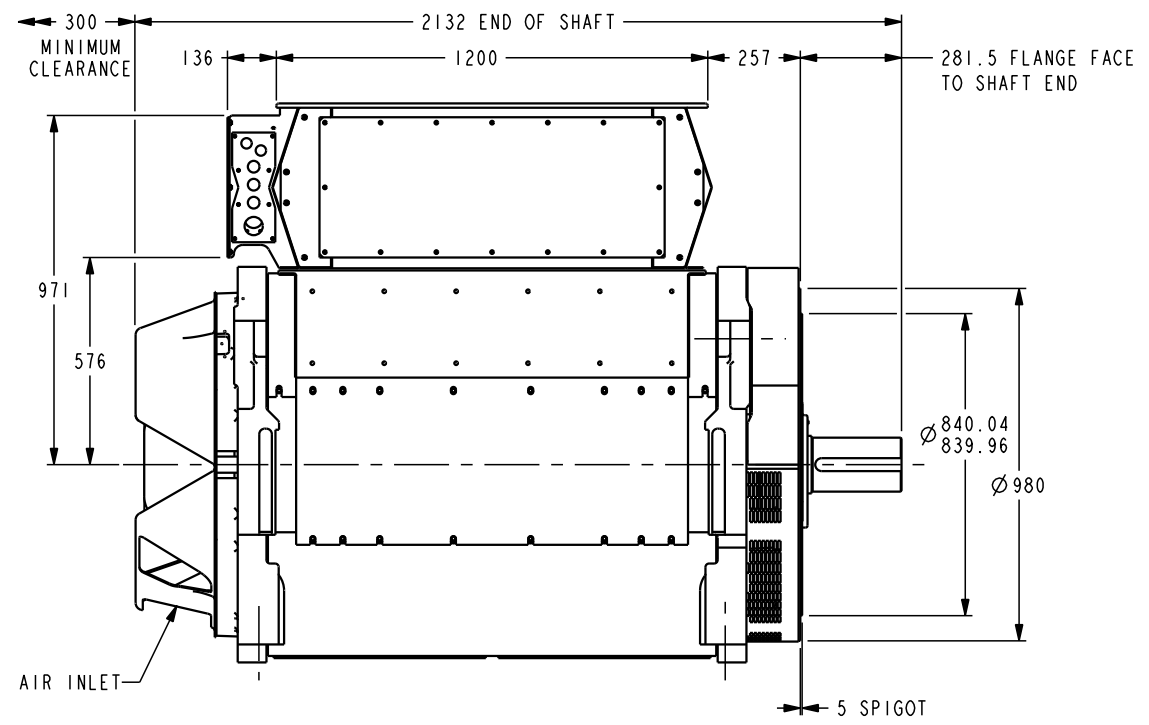
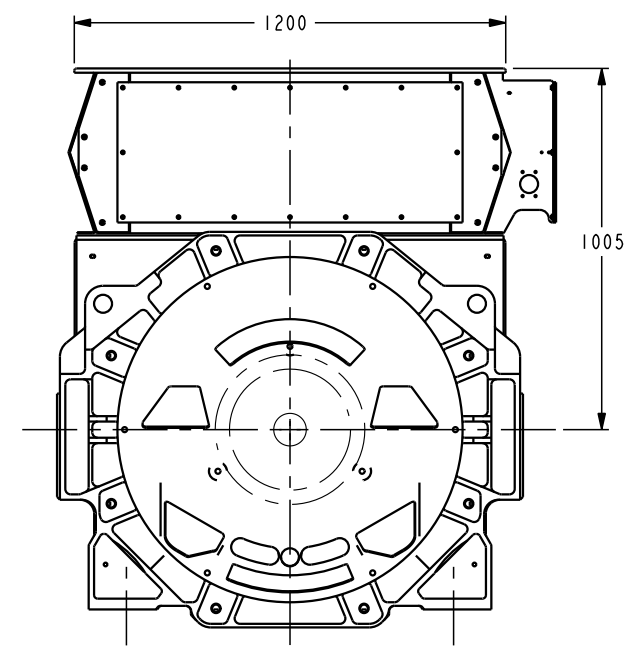
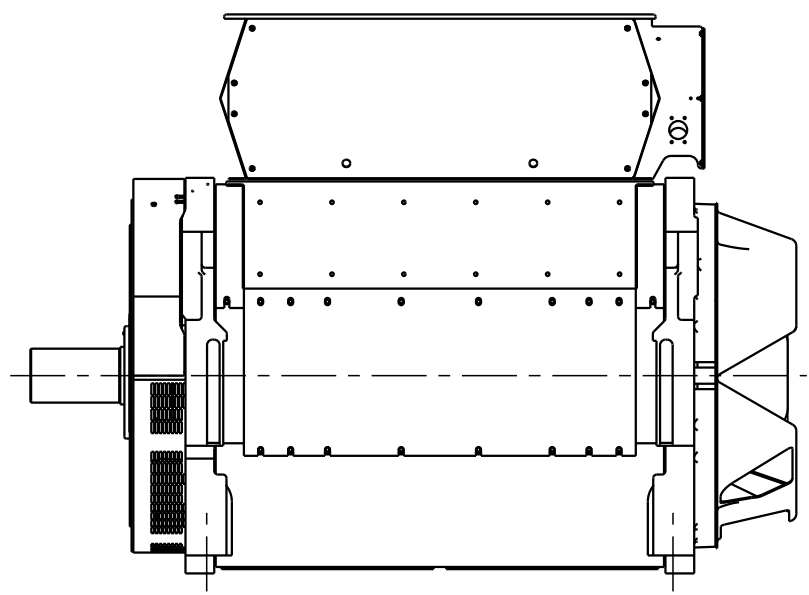


NOMINAL WEIGHT BASED ON CAD MODEL 6058KG; NOT FOR INSPECTION

UNLESS OTHERWISE SPECIFIED, ALL DIMENSIONS ARE IN MILLIMETERS	SIM TO	DWN I. MUGHAL		CUMMINS GENERATOR TECHNOLOGIES	
	DO NOT SCALE PRINT	CKD I. MUGHAL		DRAWING, GENERAL ASSEMBLY	
SCALE 1:10		APVD R. MACMENEY	SITE CODE	P80 HV T CORE / INTEGRATED FOOT	
THIS DOCUMENT (AND THE INFORMATION SHOWN THEREON) IS CONFIDENTIAL AND PROPRIETARY AND SHALL NOT BE DISCLOSED TO OTHERS IN HARD COPY OR ELECTRONIC FORM, REPRODUCED BY ANY MEANS, OR USED FOR ANY PURPOSE WITHOUT WRITTEN CONSENT OF CUMMINS INC.	FOR INTERPRETATION OF DIMENSIONING AND TOLERANCING, SEE ASME Y14.5-2009	DATE 11SEP07	STA	DWG SIZE A2	80-2412
	FIRST USED ON				CAD SHEET 1 of 2



2 BEARING SHAFT DETAIL
SCALE 1:5



NOMINAL WEIGHT BASED ON CAD MODEL 6058KG; NOT FOR INSPECTION

UNLESS OTHERWISE SPECIFIED, ALL DIMENSIONS ARE IN MILLIMETERS	DO NOT SCALE PRINT	SCALE 1:10	DATE 11SEP07	APP'D R. MACNEMEMY	SITE CODE	STA	80-2412	CUMMINS GENERATOR TECHNOLOGIES	DRAWING, GENERAL ASSEMBLY	P80 HV 1 CORE / INTEGRATED FOOT	CAD SHEET 2 of 2
---	--------------------	------------	--------------	--------------------	-----------	-----	---------	--------------------------------	---------------------------	---------------------------------	------------------