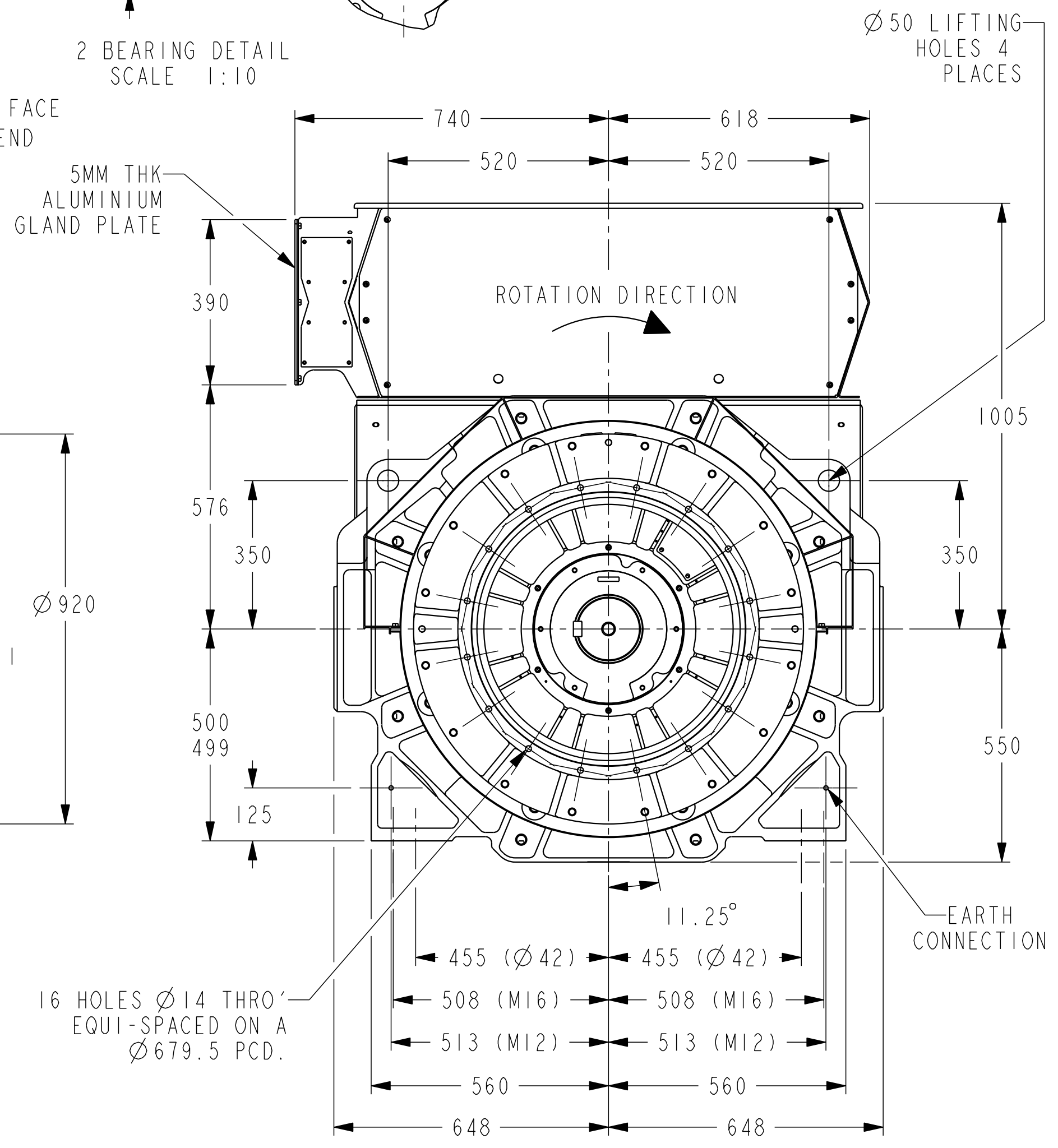
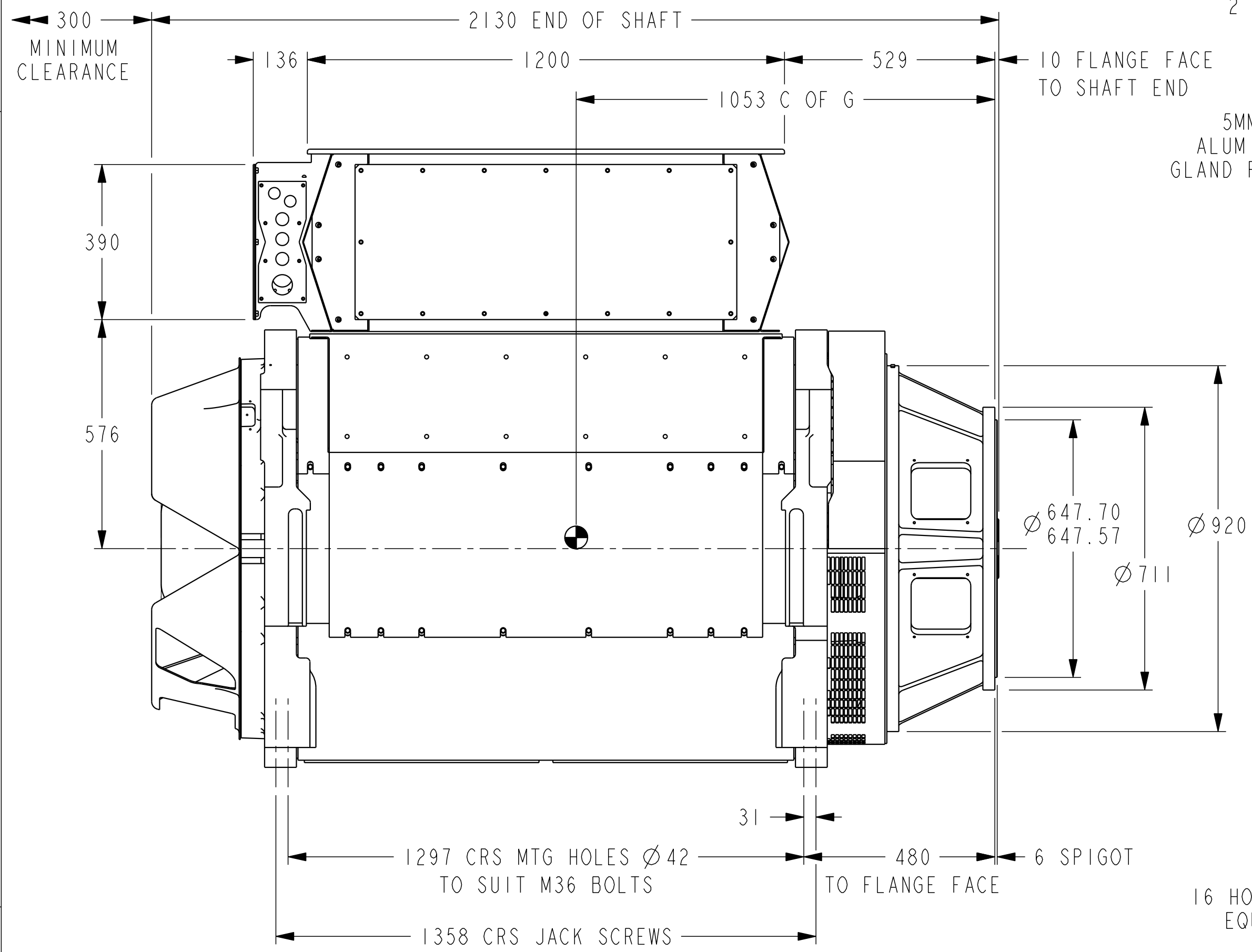
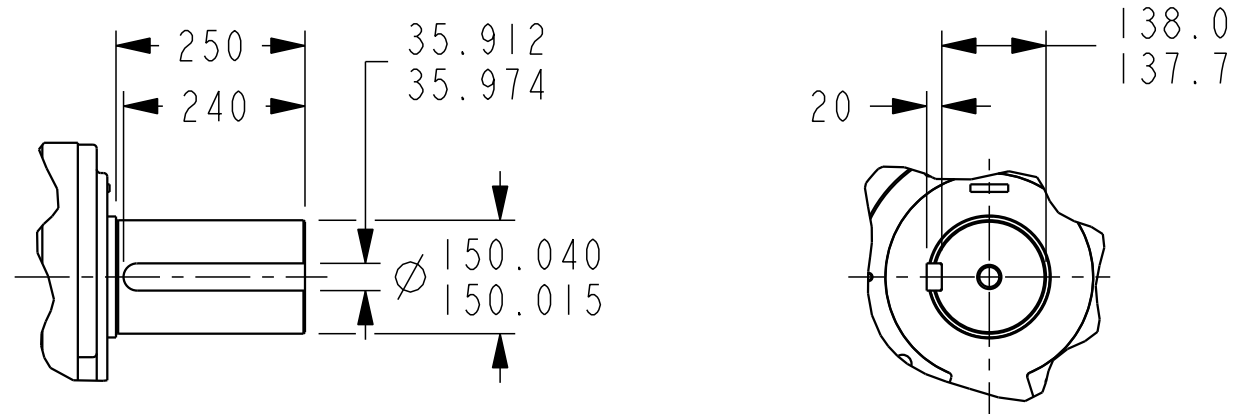
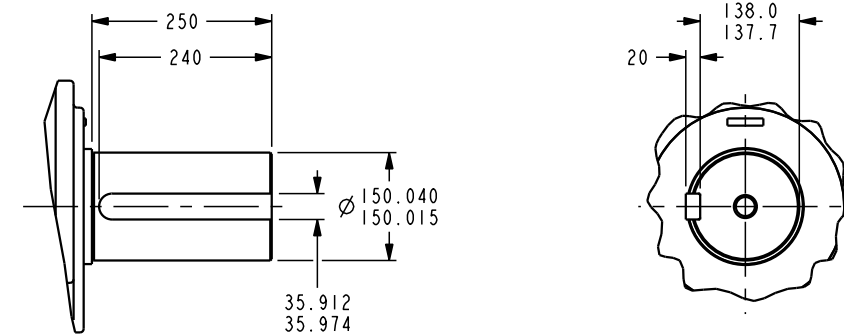
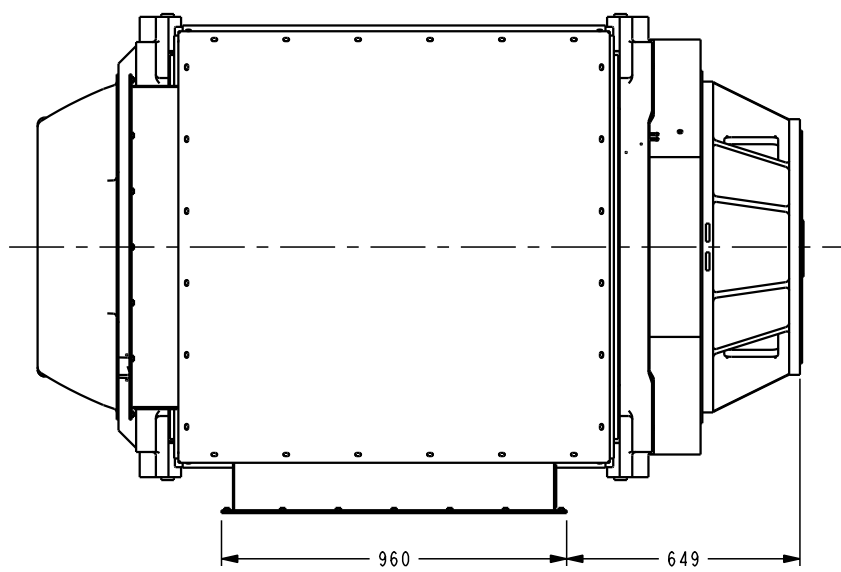


REL NO	REV	NO	REVISION	DWN	CKD	APVD	DATE
ECO-169306	B	1	DRAWING BORDER AND DIMENSIONING SCHEME UPDATED	AS	AS	T.CLARKE	12APR17

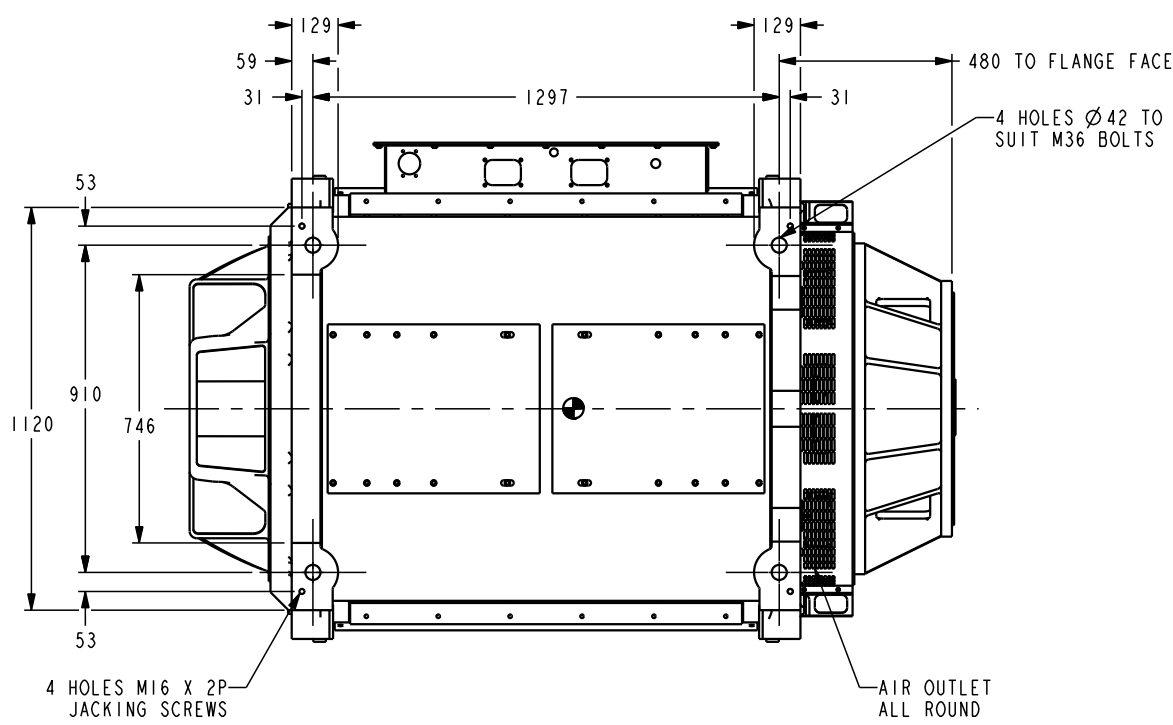
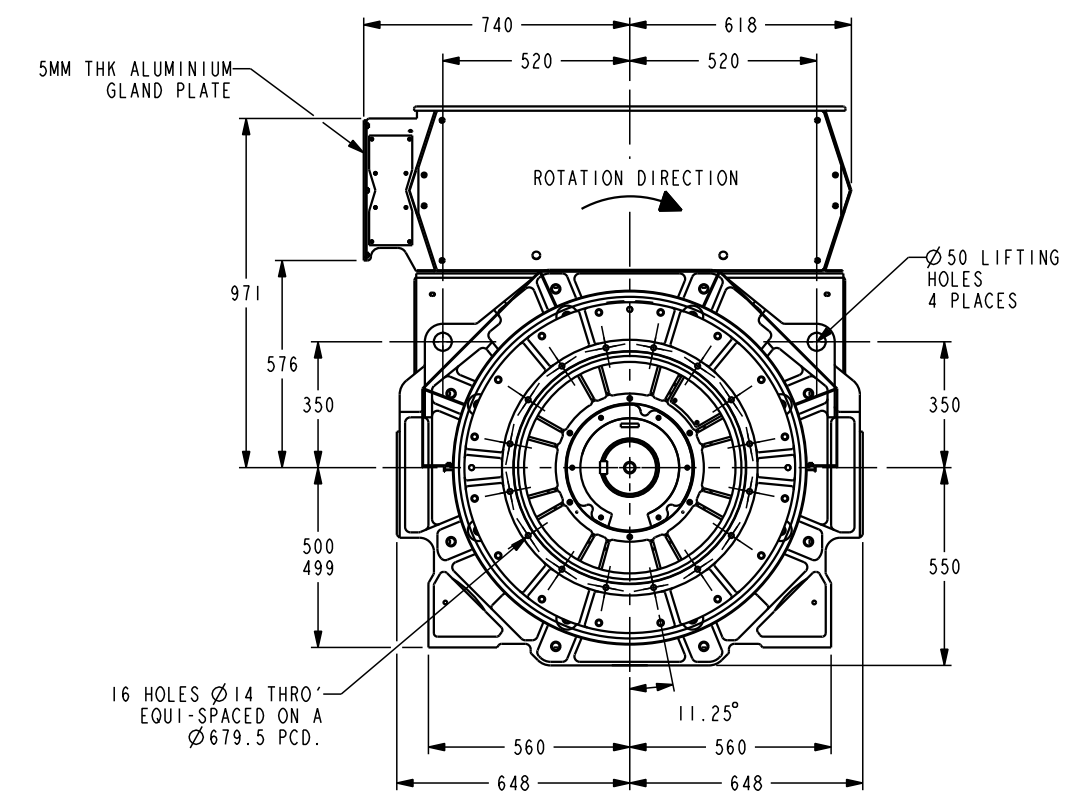
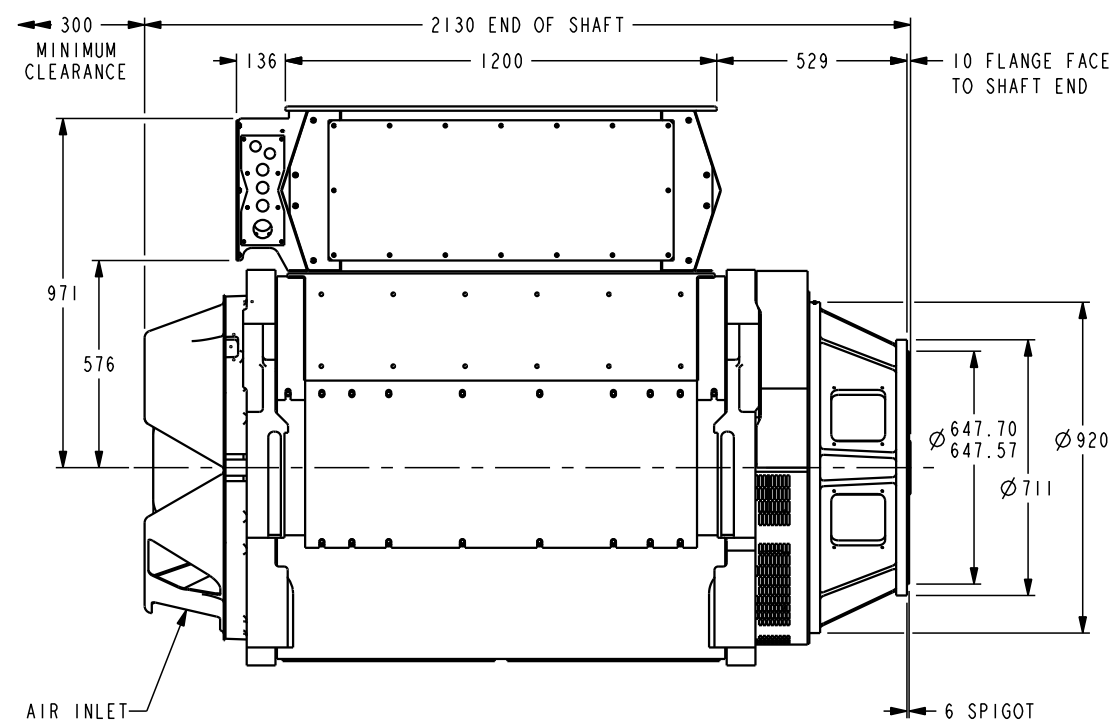
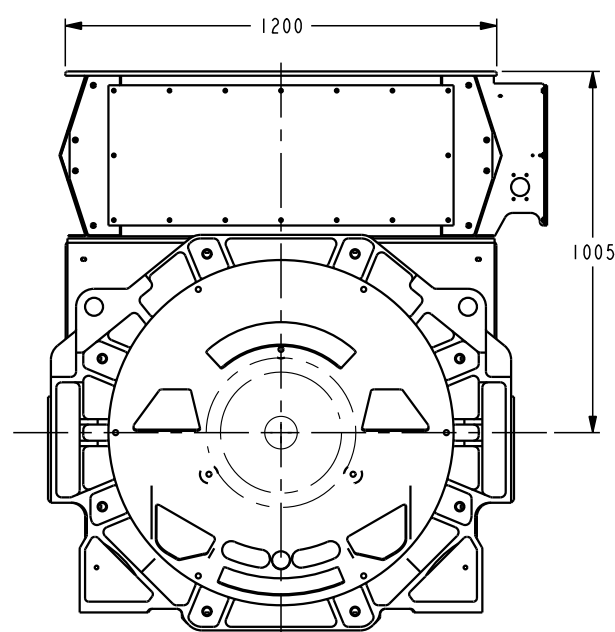
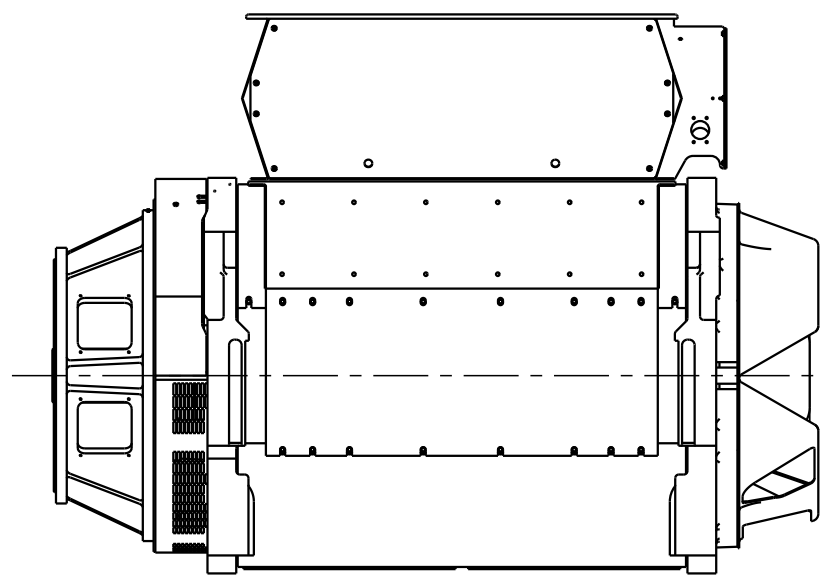


NOMINAL WEIGHT BASED ON CAD MODEL 6230KG; NOT FOR INSPECTION

UNLESS OTHERWISE SPECIFIED, ALL DIMENSIONS ARE IN MILLIMETERS	SIM TO .	DWN I. MUGHAL		CUMMINS GENERATOR TECHNOLOGIES	
	DO NOT SCALE PRINT	CKD I. MUGHAL		DRAWING, GENERAL ASSEMBLY	
SCALE 1:10		APVD R. MACMENEY	SITE CODE	P80 HV T CORE / INTEGRATED FOOT / SAE0	
THIS DOCUMENT (AND THE INFORMATION SHOWN THEREON) IS CONFIDENTIAL AND PROPRIETARY AND SHALL NOT BE DISCLOSED TO OTHERS IN HARD COPY OR ELECTRONIC FORM, REPRODUCED BY ANY MEANS, OR USED FOR ANY PURPOSE WITHOUT WRITTEN CONSENT OF CUMMINS INC.	FOR INTERPRETATION OF DIMENSIONING AND TOLERANCING, SEE ASME Y14.5-2009	DATE 11SEP07		STA	DWG SIZE A2
		FIRST USED ON			CAD SHEET 1 of 2



**2 BEARING SHAFT DETAIL**  
SCALE 1:5



NOMINAL WEIGHT BASED ON CAD MODEL 6230KG; NOT FOR INSPECTION

UNLESS OTHERWISE SPECIFIED, ALL DIMENSIONS ARE IN MILLIMETERS	DO NOT SCALE PRINT	SCALE 1:10	DATE 11SEP07	APPD. R. MACNEMEMY	SITE CODE	STA	AO	80-2413	CUMMINS GENERATOR TECHNOLOGIES	DRAWING, GENERAL ASSEMBLY	P80 HV T CORE / INTEGRATED FOOT / SAED	CAD SHEET 2 OF 2
---	--------------------	------------	--------------	--------------------	-----------	-----	----	---------	--------------------------------	---------------------------	--	------------------