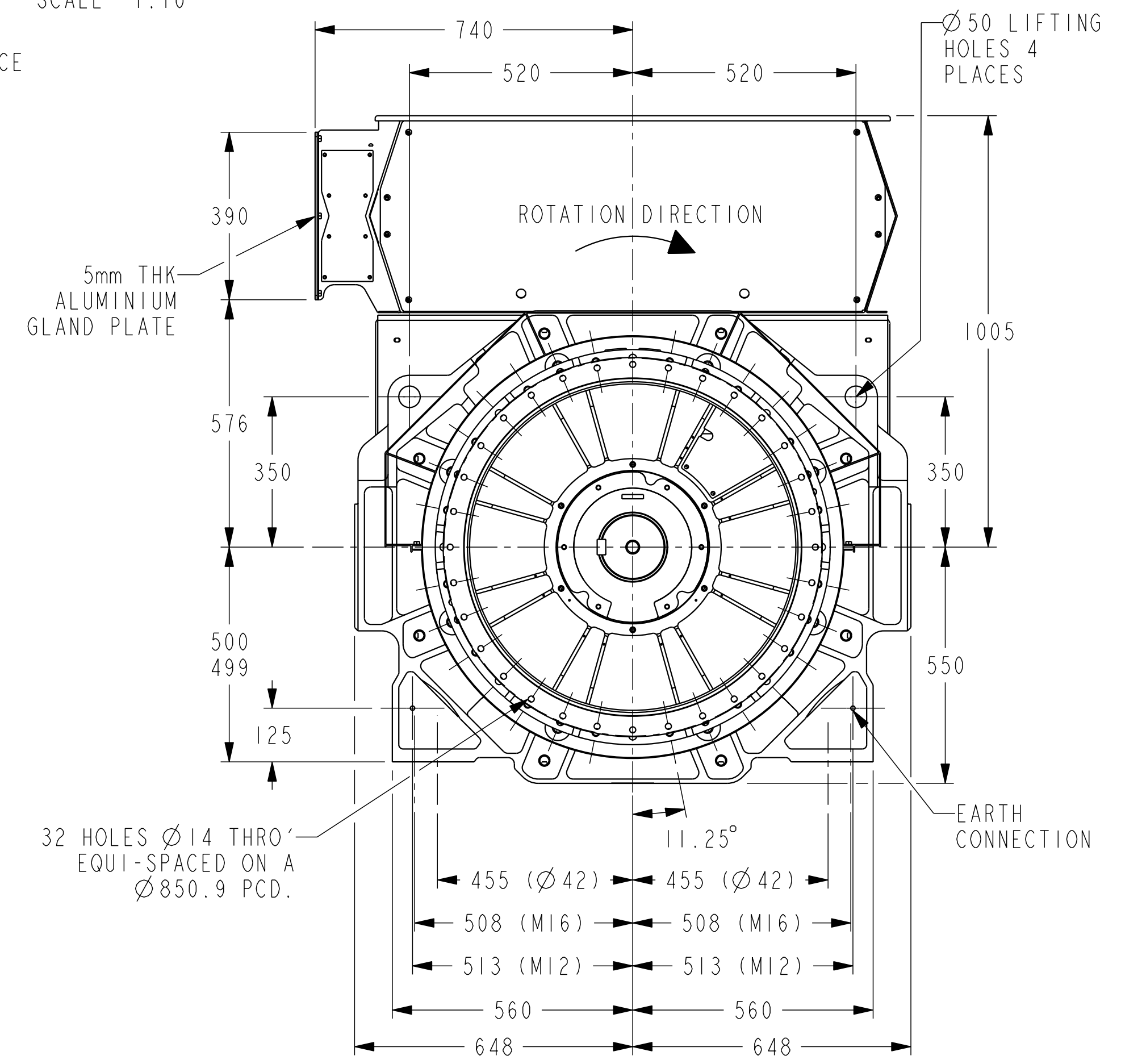
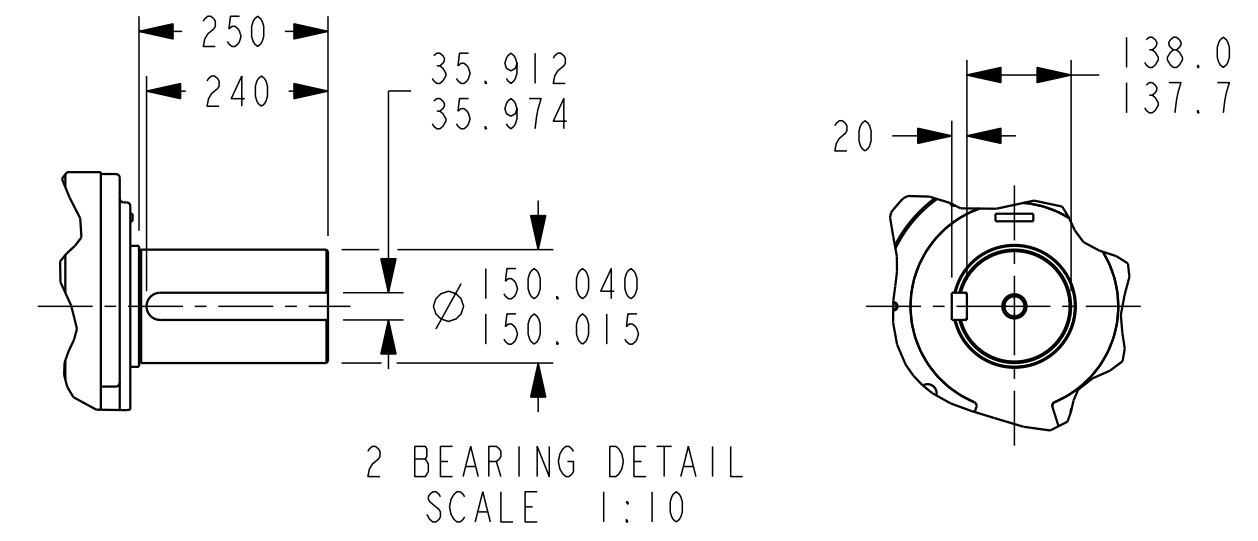
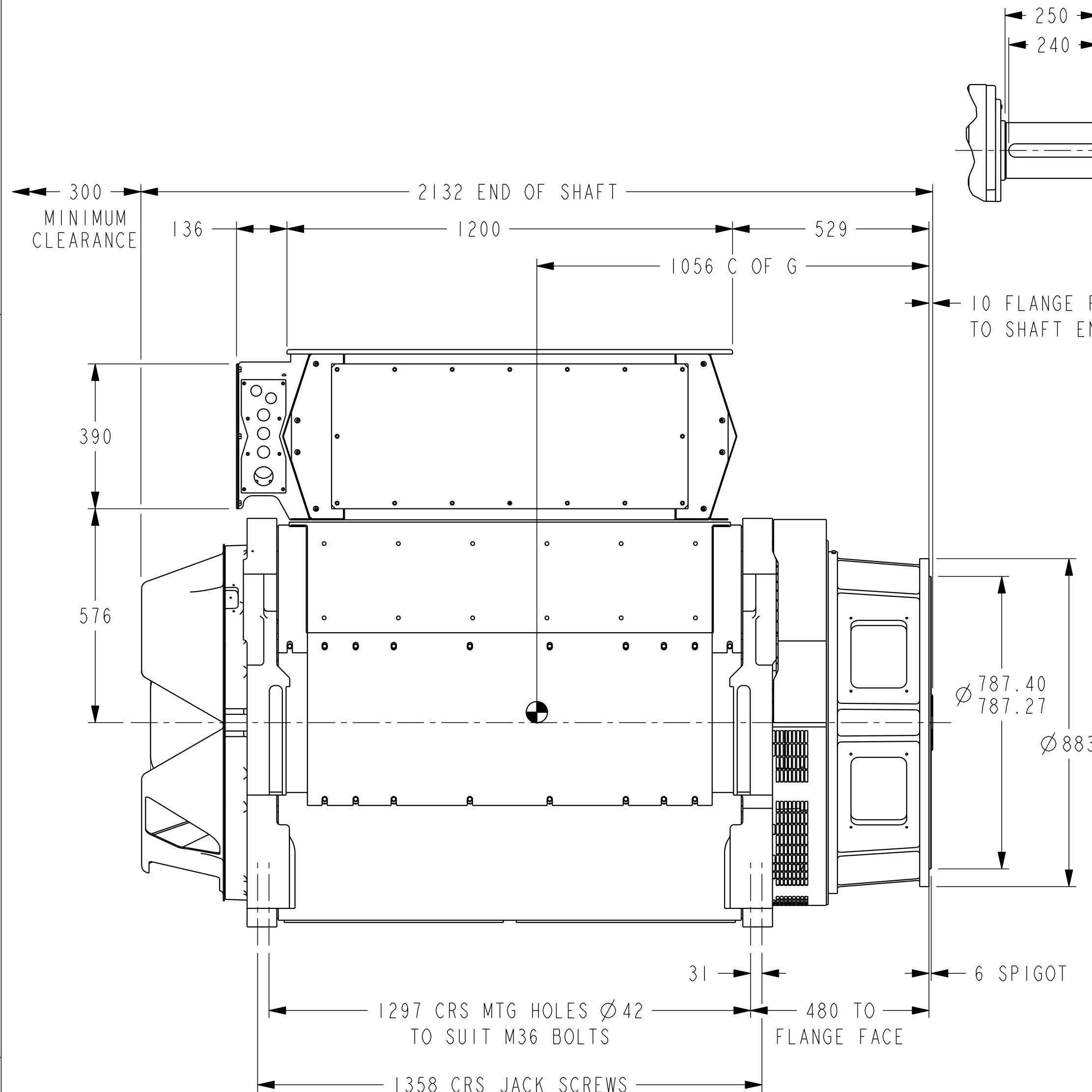
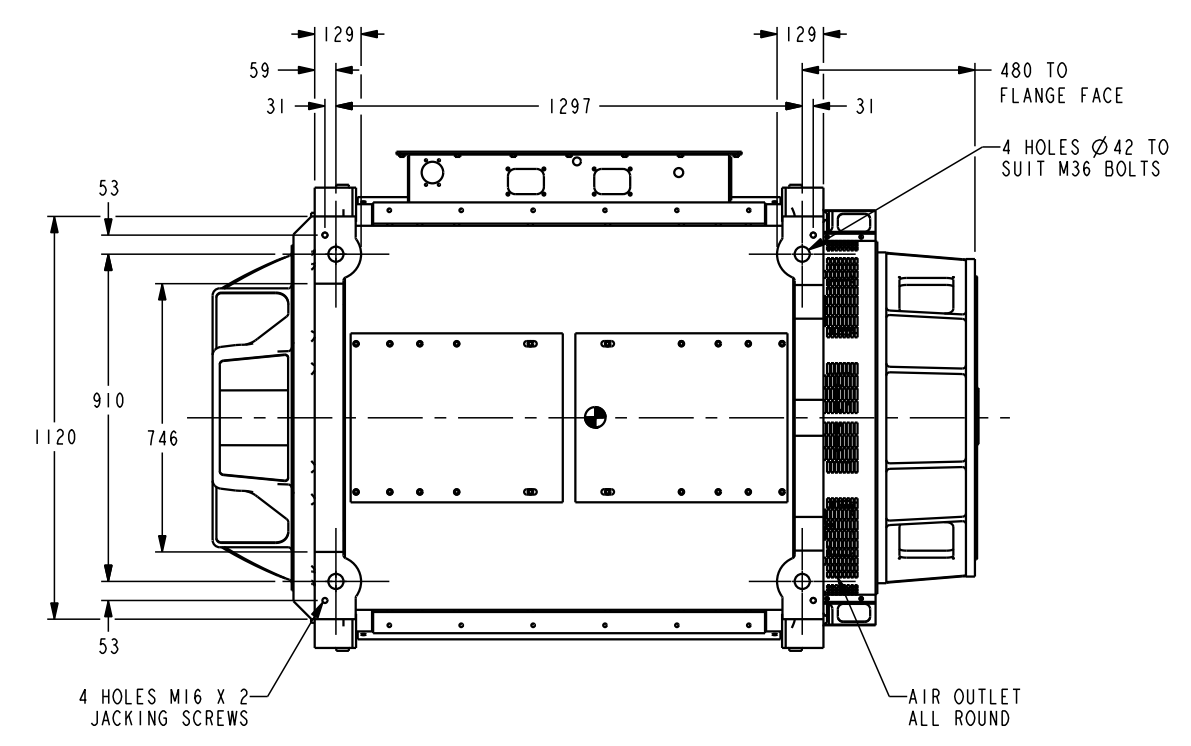
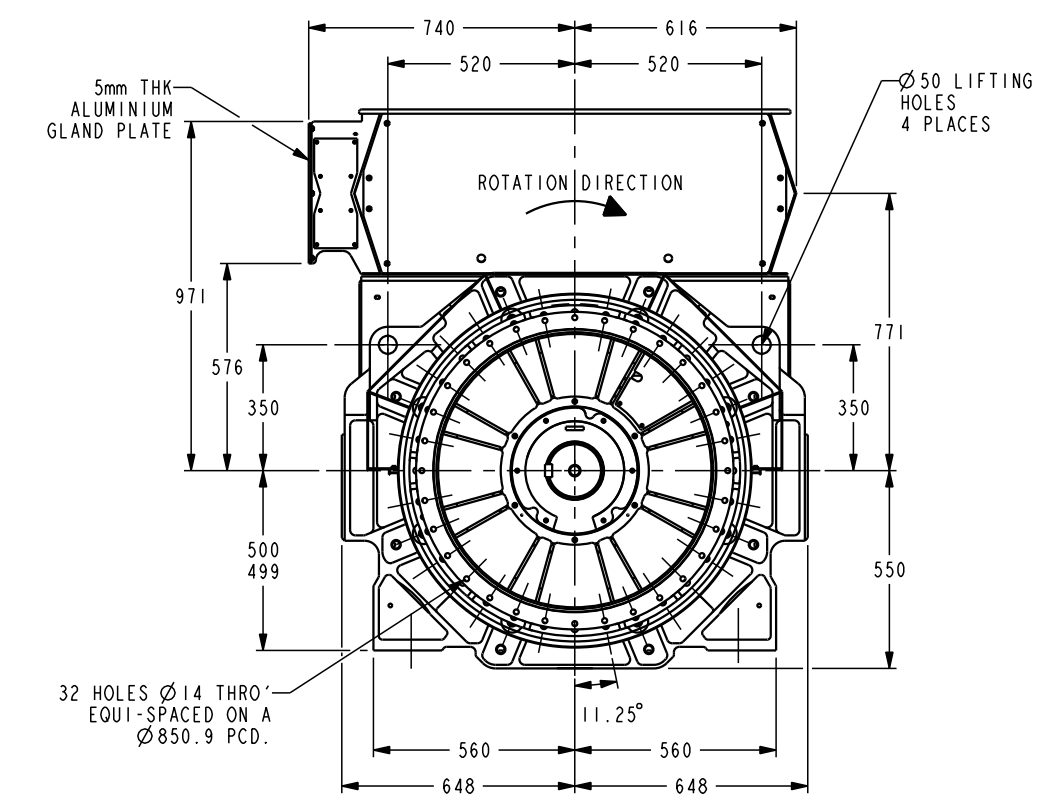
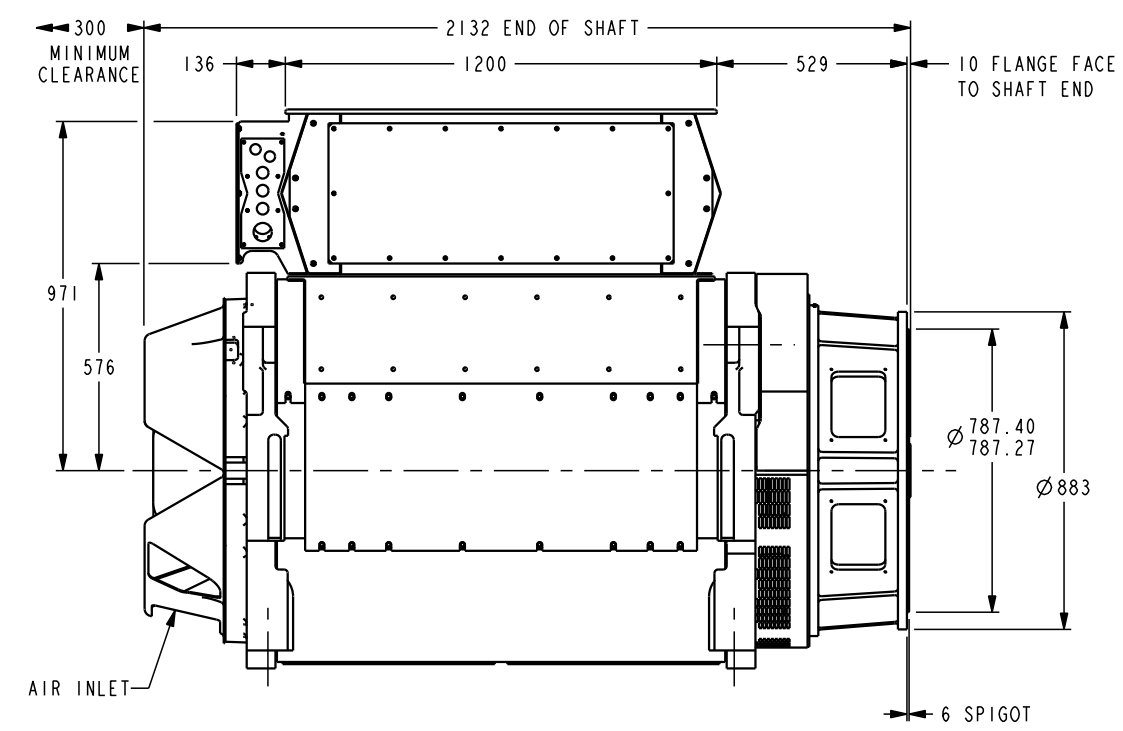
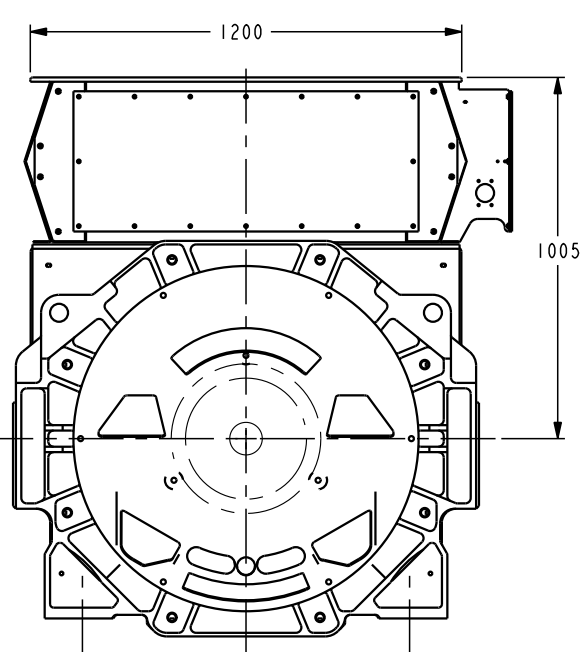
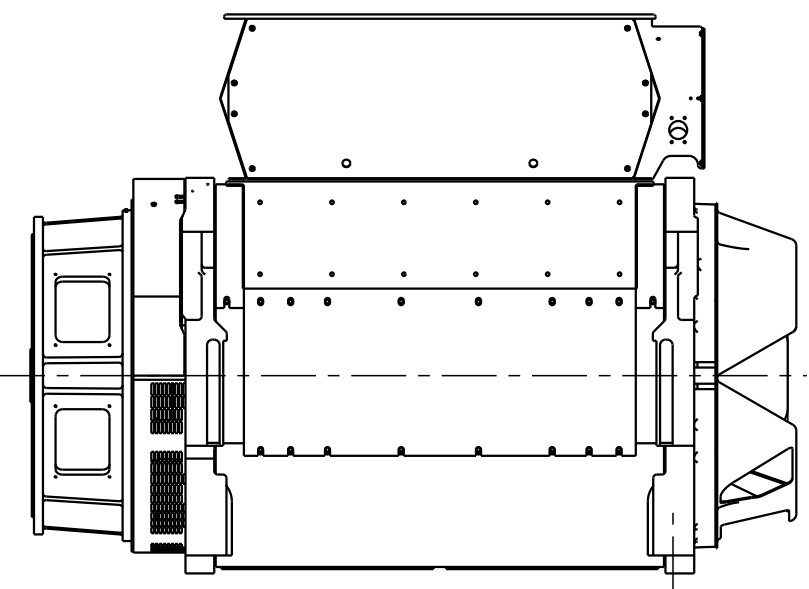
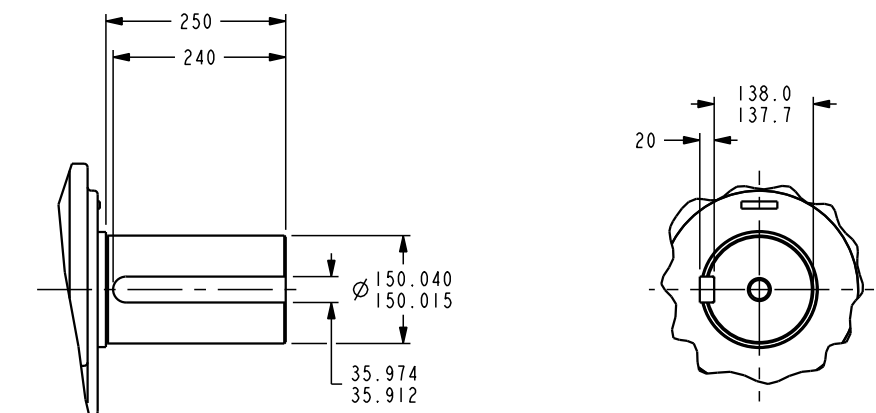
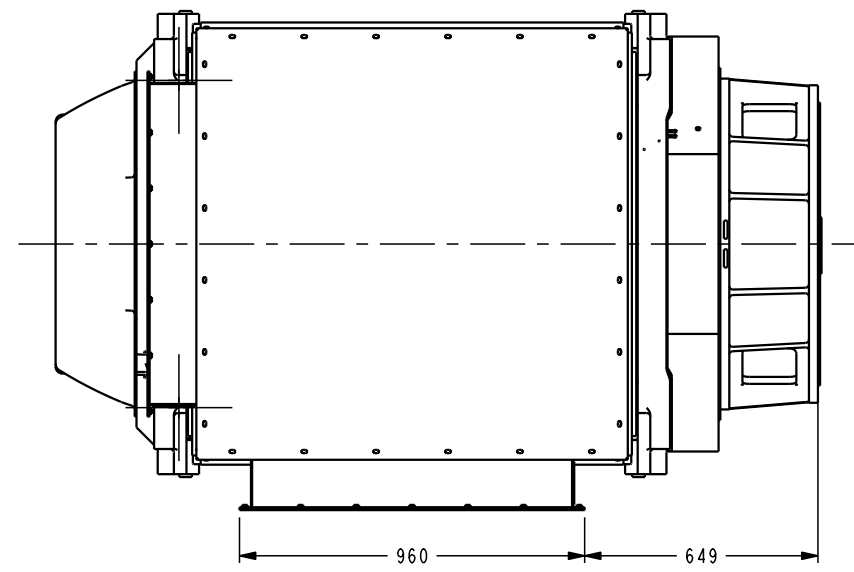


REL NO	REV	NO	REVISION	DWN	CKD	APVD	DATE
ECO-164804	C	1	DRAWING BORDER AND DIMENSIONING UPDATED.	AS	AS	T.CLARKE	16SEP16



NOMINAL WEIGHT BASED ON CAD MODEL 6208KG; NOT FOR INSPECTION

UNLESS OTHERWISE SPECIFIED, ALL DIMENSIONS ARE IN MILLIMETERS SCALE 1:10	SIM TO N/A	DWN I. MUGHAL		CUMMINS GENERATOR TECHNOLOGIES	
	DO NOT SCALE PRINT	CKD A. SHAWYER		DRAWING, GENERAL ASSEMBLY	
THIS DOCUMENT (AND THE INFORMATION SHOWN THEREON) IS CONFIDENTIAL AND PROPRIETARY AND SHALL NOT BE DISCLOSED TO OTHERS IN HARD COPY OR ELECTRONIC FORM, REPRODUCED BY ANY MEANS, OR USED FOR ANY PURPOSE WITHOUT WRITTEN CONSENT OF CUMMINS INC.		APVD P. BEND	SITE CODE	P80 HV T CORE / INTEGRATED FOOT / SAE00 ADAPTOR	
		DATE 11SEP07		FIRST USED ON N/A	DWG SIZE A2
FOR INTERPRETATION OF DIMENSIONING AND TOLERANCING, SEE ASME Y14.5-2009			STA	CAD SHEET 1 OF 2	



NOMINAL WEIGHT BASED ON CAD MODEL 6208KG; NOT FOR INSPECTION

UNLESS OTHERWISE SPECIFIED, ALL DIMENSIONS ARE IN MILLIMETERS	DO NOT SCALE PRINT	DRW. I. MUGHAL APP'D. A. SHAWYER	<b>CUMMINS GENERATOR TECHNOLOGIES</b> DRAWING, GENERAL ASSEMBLY P80 HW 1 CORE / INTEGRATED FOOT / SAE50 ADAPTOR
SCALE 1:10	DATE 11SEP07	APP'D. P. BEND DATE 11SEP07	
<small>THIS DOCUMENT IS THE PROPERTY OF CUMMINS INC. IT IS TO BE USED ONLY FOR THE PROJECT AND SITE SPECIFICALLY IDENTIFIED HEREIN. IT IS NOT TO BE REPRODUCED, COPIED, OR TRANSMITTED IN ANY FORM OR BY ANY MEANS, ELECTRONIC OR MECHANICAL, WITHOUT THE WRITTEN PERMISSION OF CUMMINS INC.</small>		SITE CODE STA AO	80-2414 2 of 2