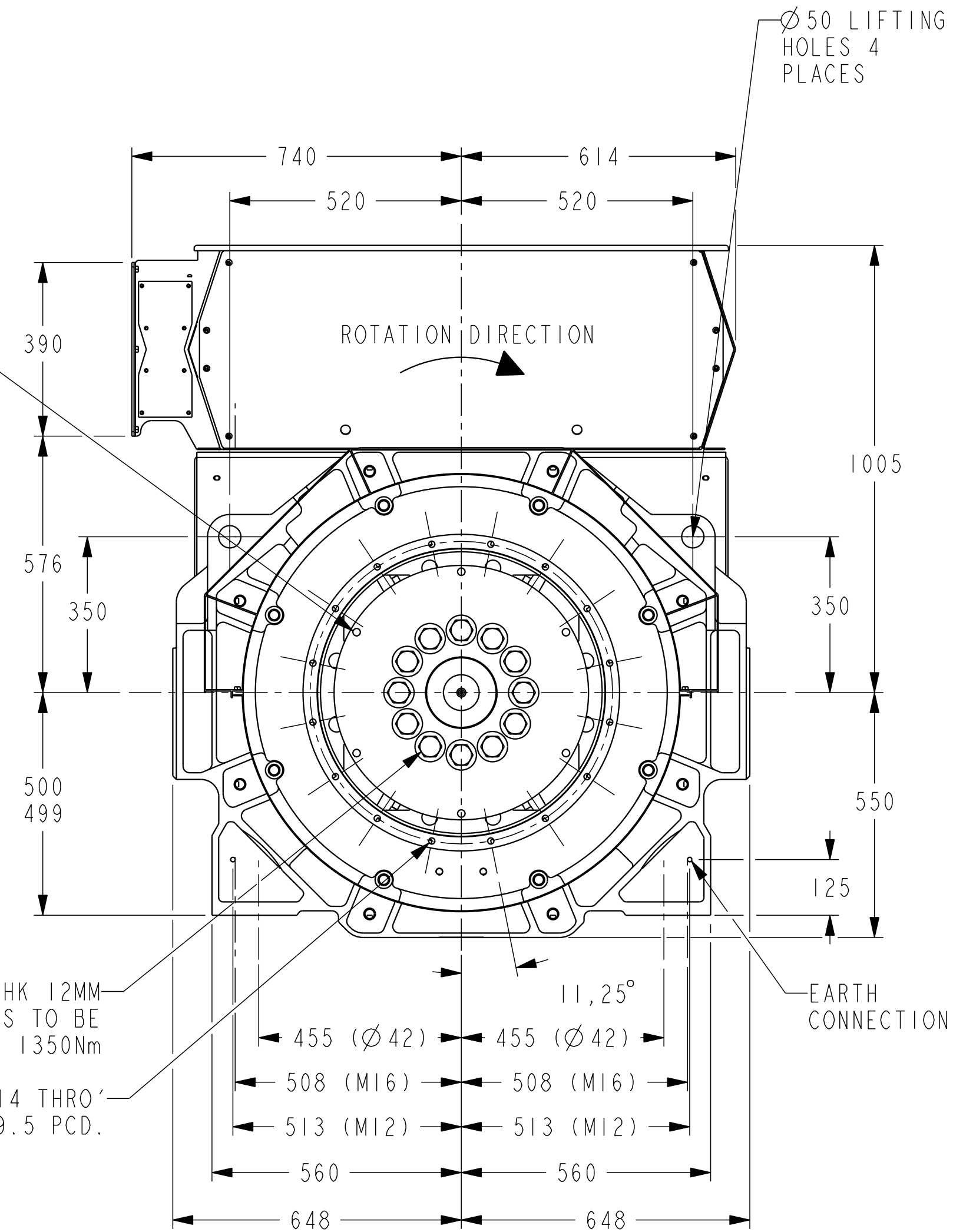
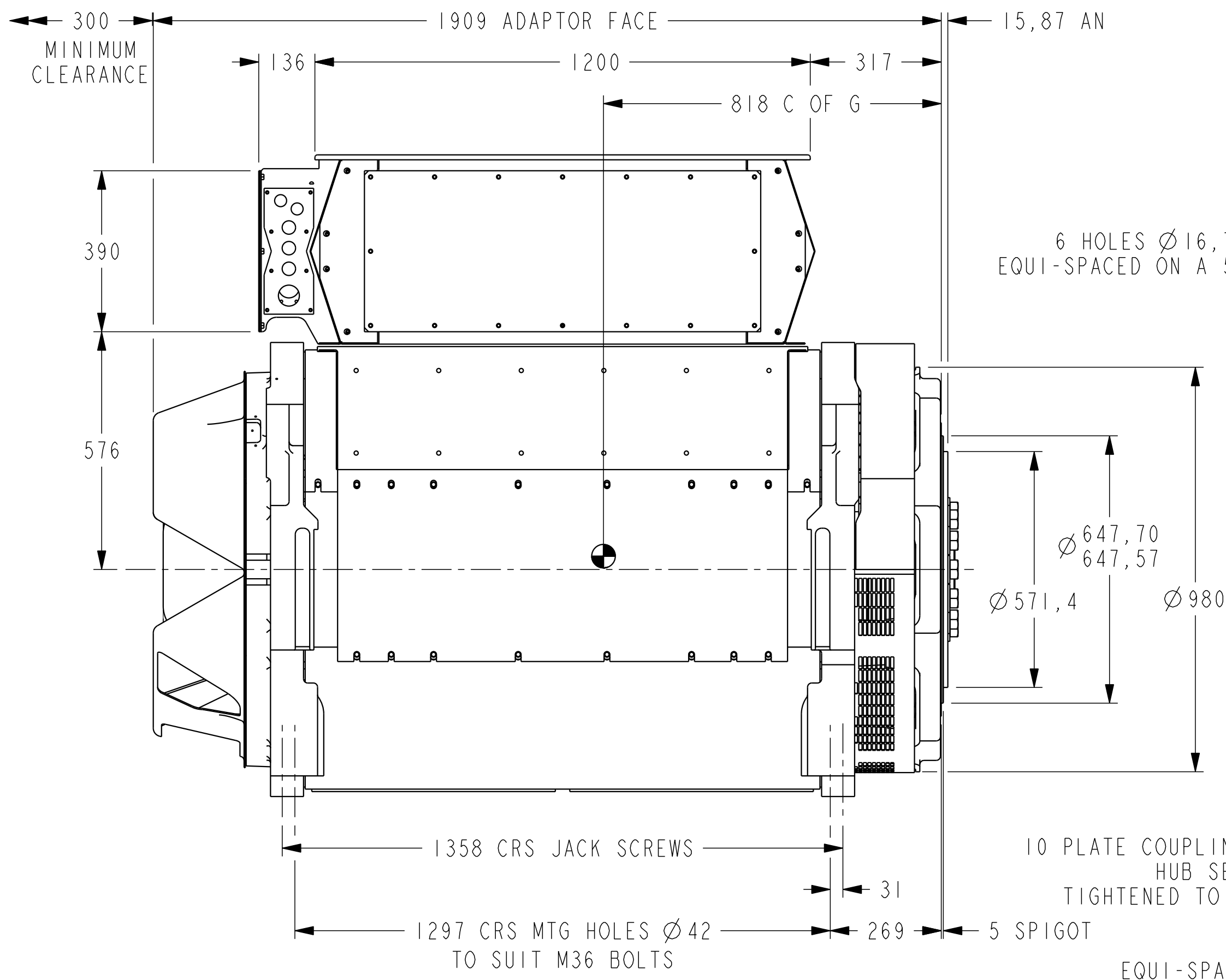
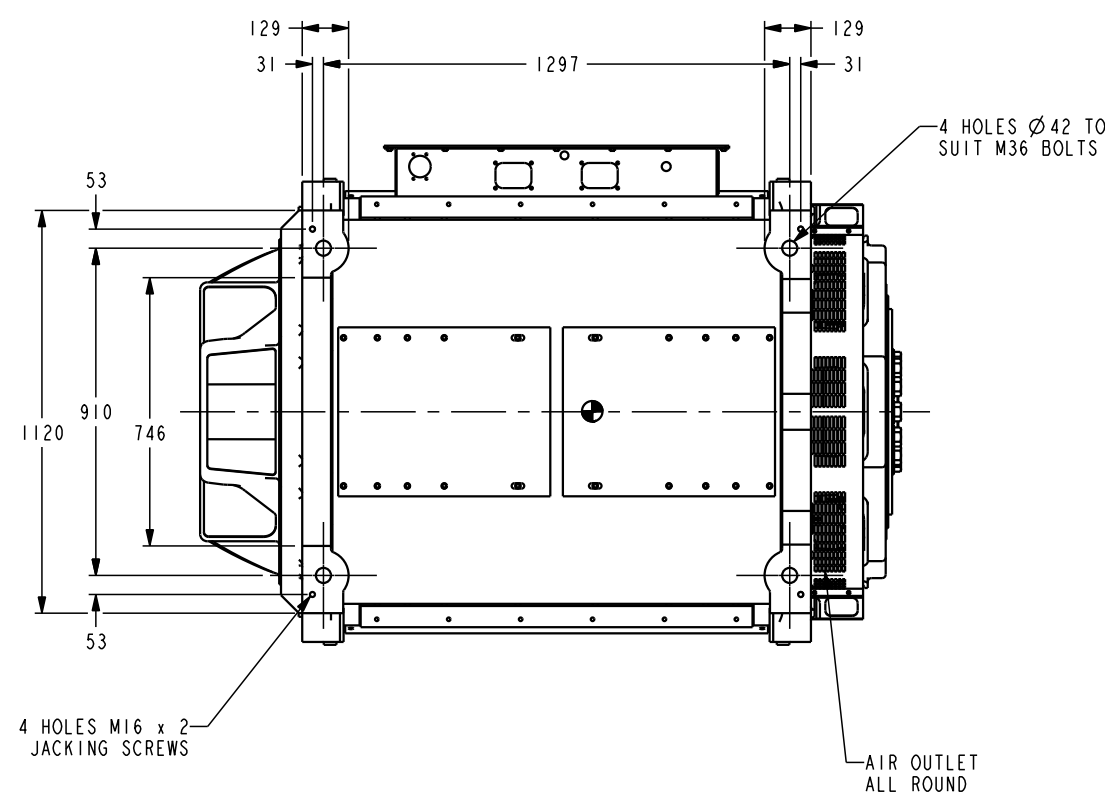
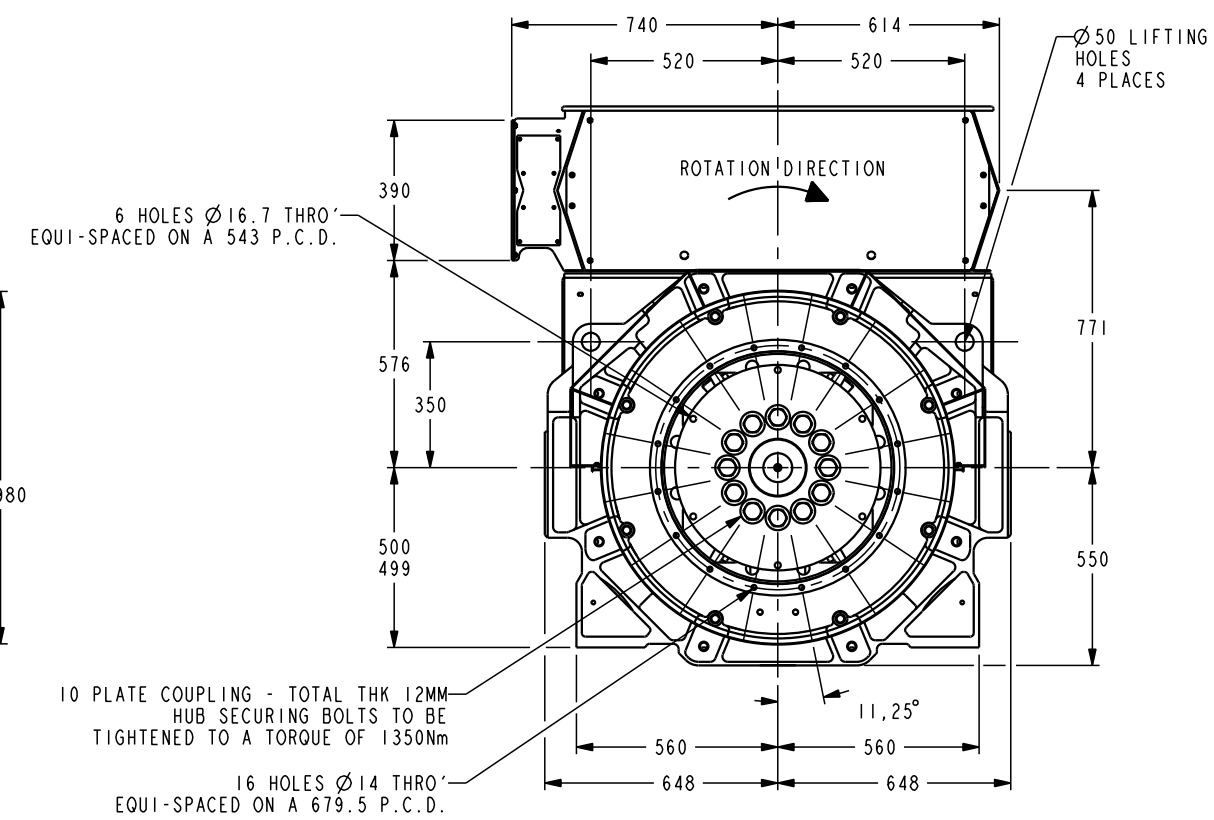
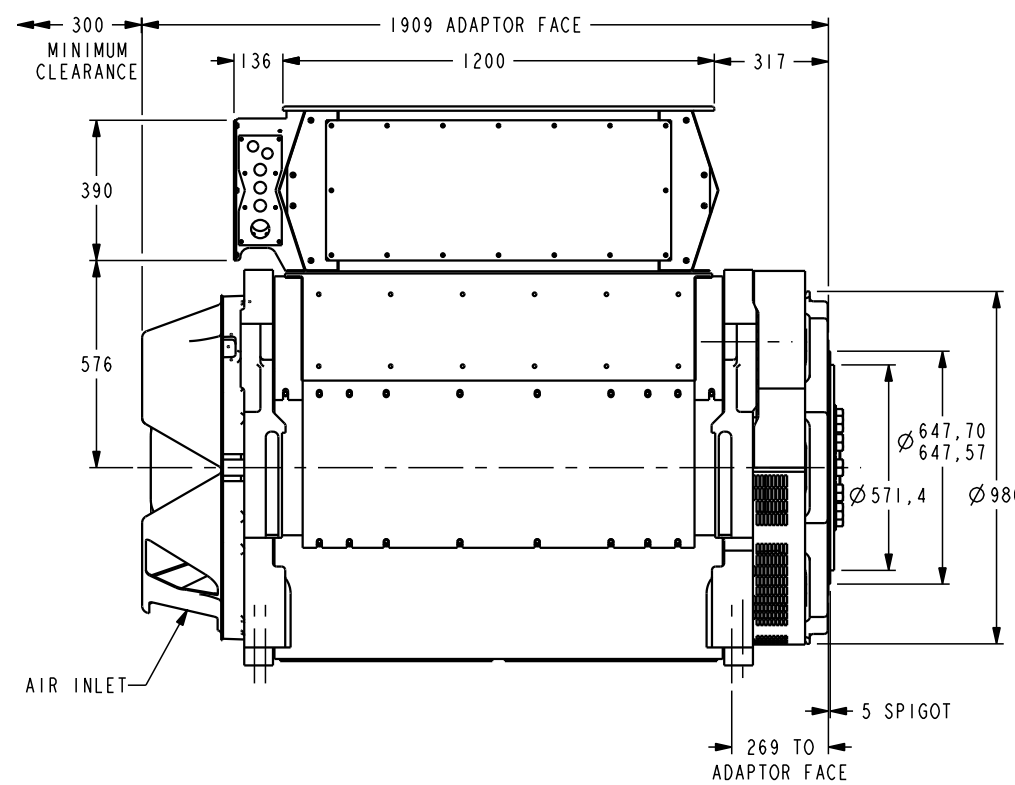
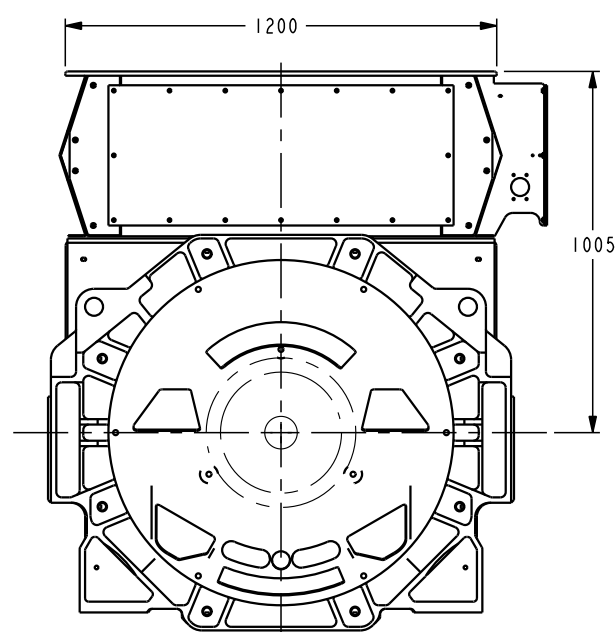
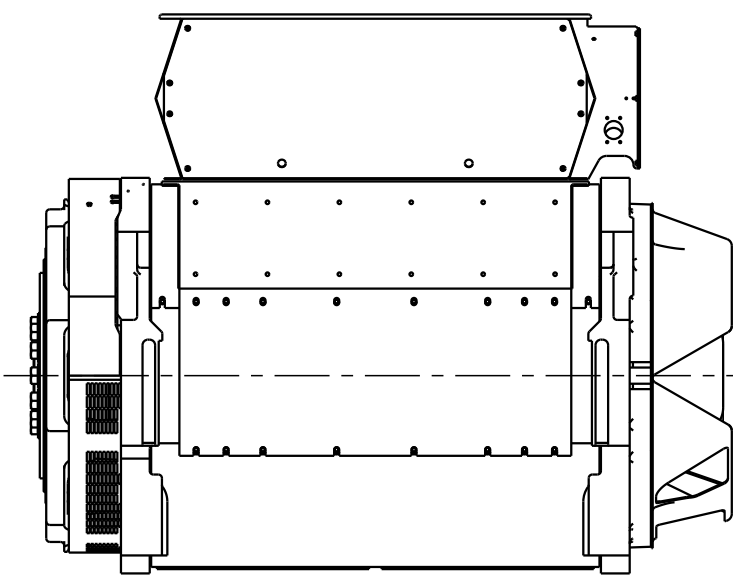
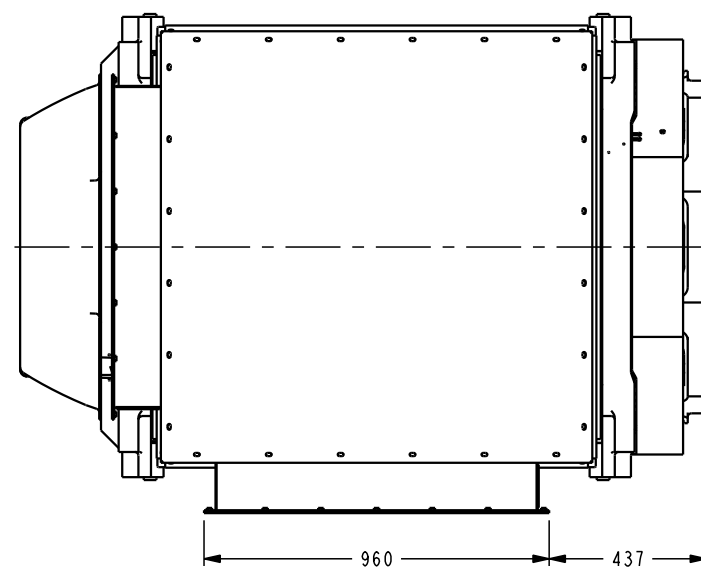


REL NO	REV	NO	REVISION	DWN	CKD	APVD	DATE
ECO-164711	B	1	DRAWING BORDER AND DIMENSIONING UPDATED.	AS	AS	D.LEE	12SEP16



ESTIMATED WEIGHT BASED ON CAD MODEL: 5425KG NOT FOR INSPECTION

UNLESS OTHERWISE SPECIFIED, ALL DIMENSIONS ARE IN MILLIMETERS	SIM TO	DWN R. MACMENEMEY		CUMMINS GENERATOR TECHNOLOGIES	
	DO NOT SCALE PRINT	CKD A. SHAWYER		DRAWING, GENERAL ASSEMBLY	
SCALE 1:10		APVD R. MACMENEMEY	SITE CODE	HVS1804R1 ALTERNATOR / INTEGRATED FEET / SAE018	
THIS DOCUMENT (AND THE INFORMATION SHOWN THEREON) IS CONFIDENTIAL AND PROPRIETARY AND SHALL NOT BE DISCLOSED TO OTHERS IN HARD COPY OR ELECTRONIC FORM, REPRODUCED BY ANY MEANS, OR USED FOR ANY PURPOSE WITHOUT WRITTEN CONSENT OF CUMMINS INC.	FOR INTERPRETATION OF DIMENSIONING AND TOLERANCING, SEE ASME Y14.5-2009	DATE 14FEB08		FIRST USED ON	DWG SIZE A2
			STA	CAD SHEET 1 OF 2	



ESTIMATED WEIGHT BASED ON CAD MODEL: 5425KG NOT FOR INSPECTION

UNLESS OTHERWISE SPECIFIED, ALL DIMENSIONS ARE IN MILLIMETERS	DO NOT SCALE PRINT	DESIGNED BY: R. MACNEMEMY	CHKD BY: A. SHAWYER	CUMMINS GENERATOR TECHNOLOGIES DRAWING, GENERAL ASSEMBLY HVS1004R1 ALTERNATOR / INTEGRATED FEET / SACD/18
SCALE: 1:1.0		APPD BY: R. MACNEMEMY	DATE: 14 FEB 08	
<small>THIS DOCUMENT IS THE PROPERTY OF CUMMINS INC. IT IS TO BE USED ONLY FOR THE PROJECT AND SITE SPECIFICALLY IDENTIFIED HEREON. IT IS NOT TO BE REPRODUCED, COPIED, OR TRANSMITTED IN ANY FORM OR BY ANY MEANS, ELECTRONIC OR MECHANICAL, INCLUDING PHOTOCOPYING, RECORDING, OR BY ANY INFORMATION STORAGE AND RETRIEVAL SYSTEM, WITHOUT THE WRITTEN PERMISSION OF CUMMINS INC.</small>		STA: AO	80-2463	CAD SHEET: 2 of 2