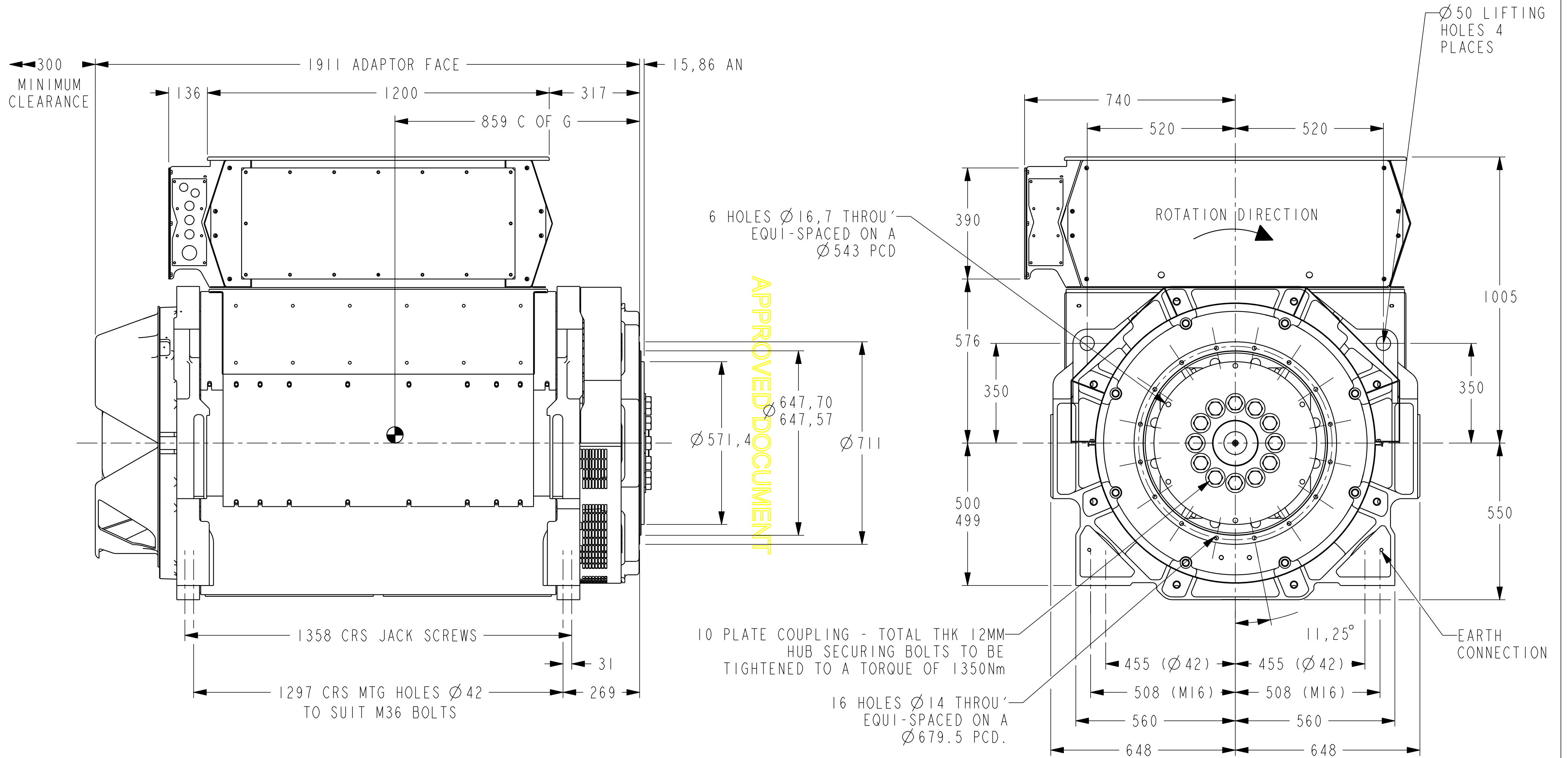


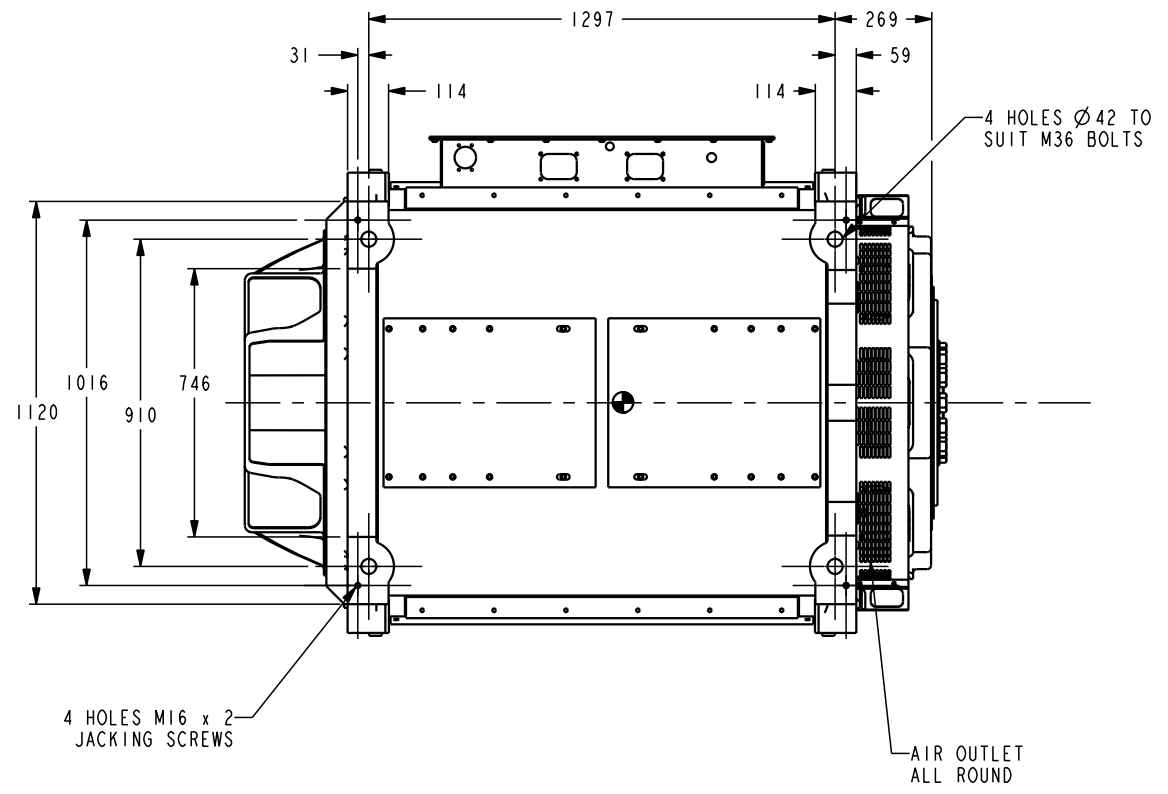
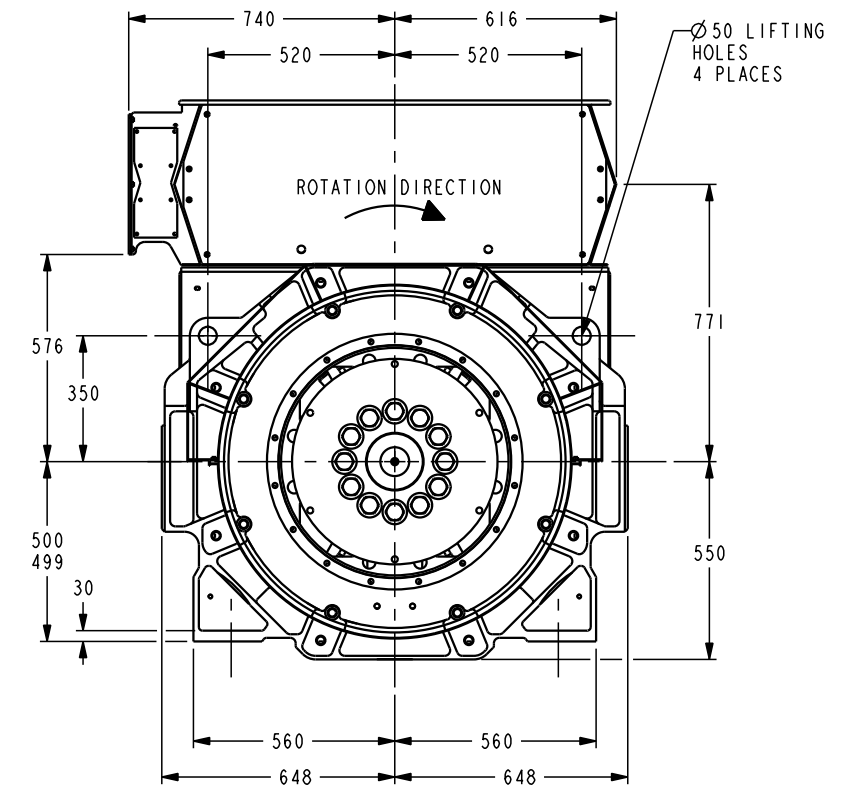
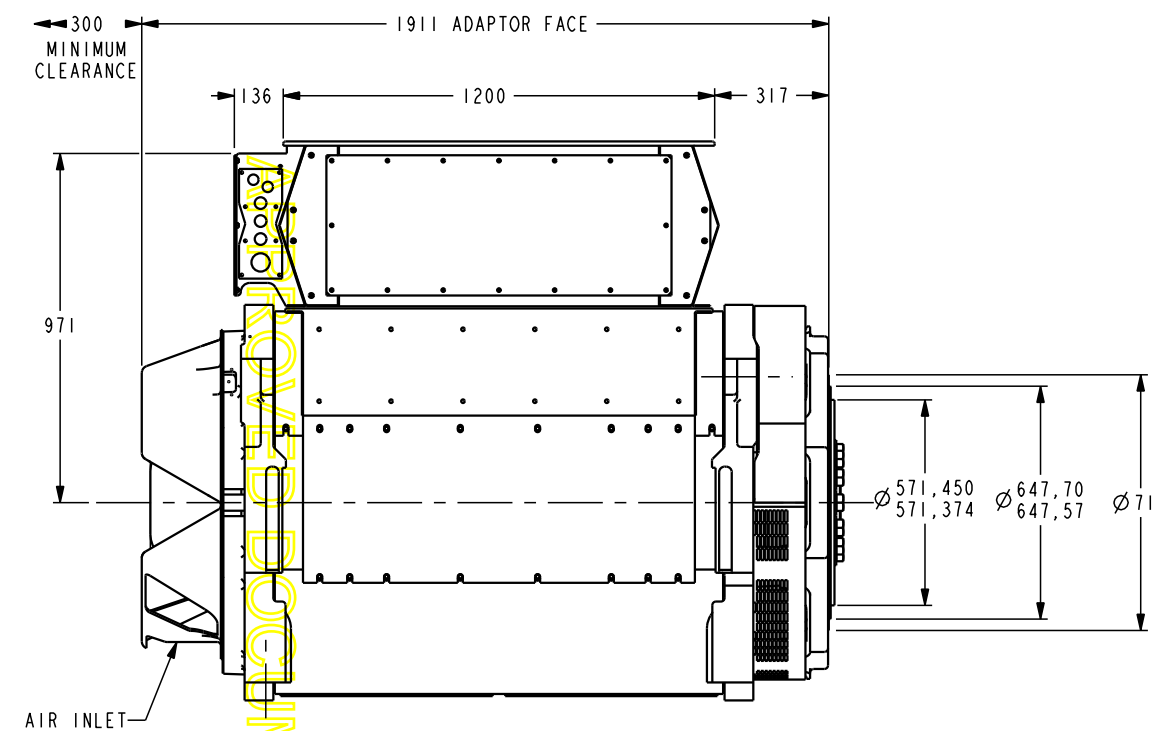
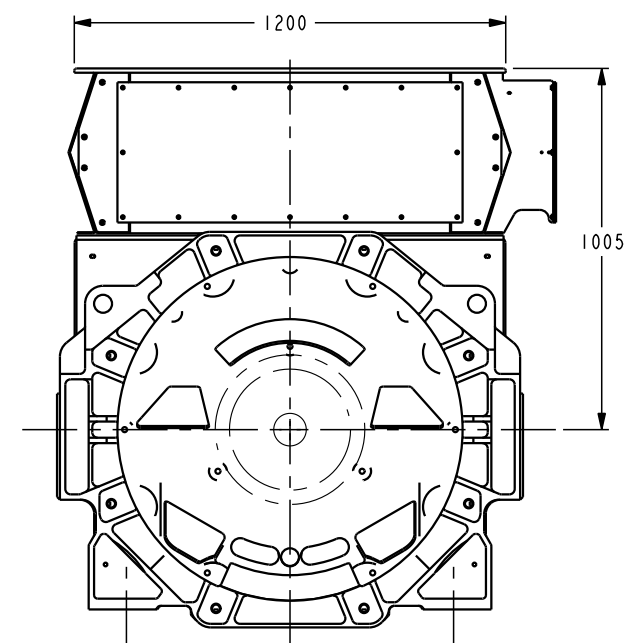
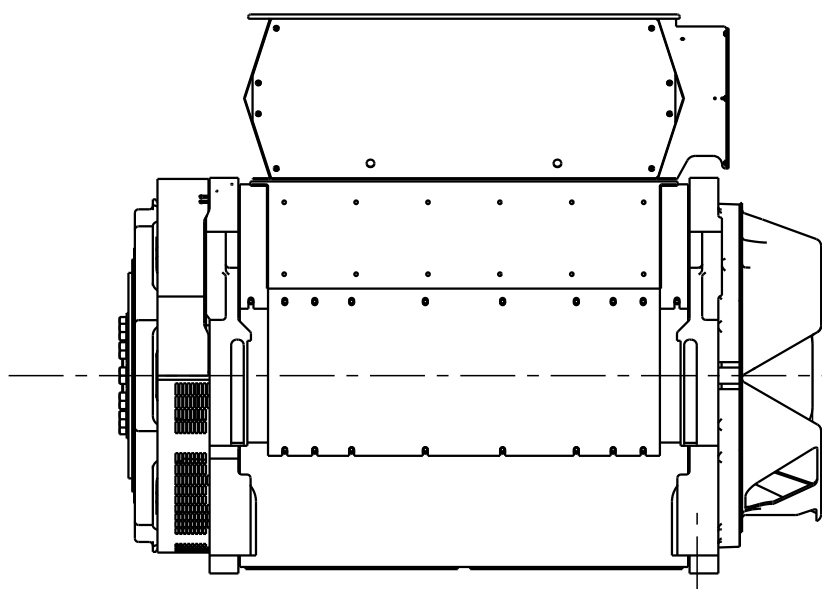
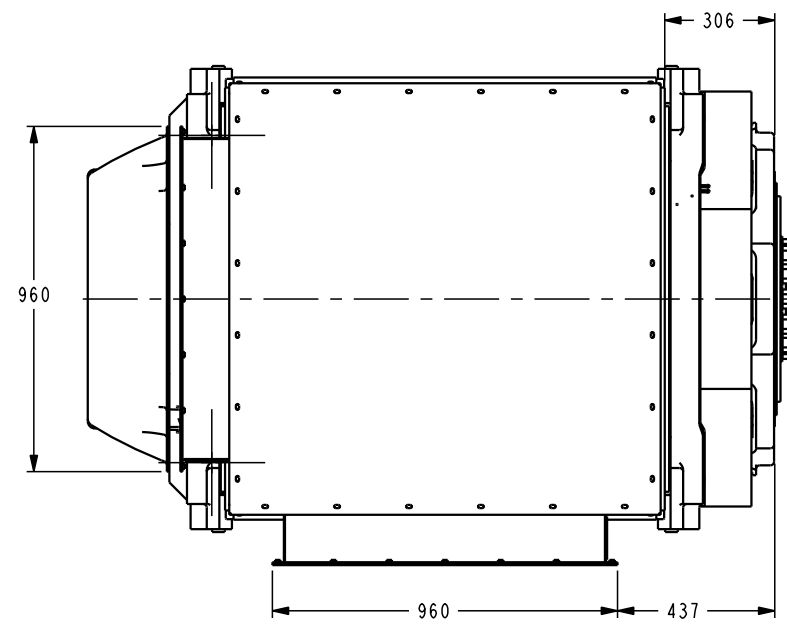
DRG. SIZE C	REL. PHASE P	PART No 80-2465	ISSUE B
----------------	-----------------	--------------------	------------

IF IN DOUBT-ASK
DO NOT SCALE



CONFIDENTIAL PROPERTY OF CUMMINS GENERATOR TECHNOLOGIES LTD				P80 ALTERNATOR HV T CORE CENTRE HEIGHT = INTEGRAL 500 CONNECTION DISC SAE18			
MATERIAL PROPS	-	DIMENSIONS IN MILLIMETRES (MM) AT 20°C	PROJECTION		SCALE	MATERIAL	
FINISH SPEC	-				1:10	SEE BOM	
GEOMETRY SPEC	-	SURFACE FINISH VALUES IN MICRO METRES	WEIGHT	=	DRG. SIZE	CASTING No	
ASSEMBLY SPEC	-		6115 KG		C	-	
PERFORMANCE SPEC	-		UNLIMITED DIMS ± --	DRAWN	JWS	08/01/09	PART No
QUALITY SPEC	-		CHECKED	AGS	18/06/09	80-2465	B
			APPROVED	AS	18/06/09	SHEET	1 OF 2 SHEETS

MOD.	ISSUE	DRAWN	DATE	MODIFICATION
4-9909-03	B	JWS	18/06/09	ADAPTOR SHOWN WAS SAE00, DIMNS Ø647,70/647,57 WAS Ø787,40/787,27 Ø711 WAS Ø980, REVISED VIEWS.
4-9909-01	A	JWS	08/01/09	ORIGINAL ISSUE.



FRAME	P80
CORE LENGTH	T
VOLTAGE RATING	HV
BEARINGS	I
CENTRE HEIGHT	INTEGRAL 500
ADAPTOR	SAE0
COUPLING	SAE18
ENCLOSURE	IP23
CABLE ENTRY FROM DE	LEFT

4-9909-03	B	JWS	19/06/09	ADAPTOR SHOWN WAS SAE00. DIMNS $\varnothing 647.70$/$\varnothing 647.57$ WAS $\varnothing 787.40$/$\varnothing 787.21$ $\varnothing 711$ WAS $\varnothing 980$
4-9909-01	A	JWS	08/01/09	ORIGINAL ISSUE.
MOD.	ISSUE	DRAWN	DATE	MODIFICATION

<p align="center">CONFIDENTIAL PROPERTY OF CUMMINS GENERATOR TECHNOLOGIES LTD</p>				<p align="center">P80 ALTERNATOR HV T CORE CENTRE HEIGHT = INTEGRAL 500 CONNECTION DISC SAE18</p>	
MATERIAL PROPS	-	DIMENSIONS IN MILLIMETRES (MM) AT 20°C	PROJECTION	SCALE	MATERIAL
FINISH SPEC	-	SURFACE FINISH VALUES IN MICRO METRES		1:10	SEE BOM
GEOMETRY SPEC	-			DRG. SIZE	A
ASSEMBLY SPEC	-	UNLIMITED DIMS ±	WEIGHT = 6115 KG	REL. PHASE	PART No
PERFORMANCE SPEC	-		DRAWN JWS 08/01/09	P	80-2465
QUALITY SPEC	-		CHECKED AGS 18/06/09	ISSUE	B
			APPROVED AS 18/06/09	PRE-ENGINEER	SHEET 2 OF 2 SHEETS