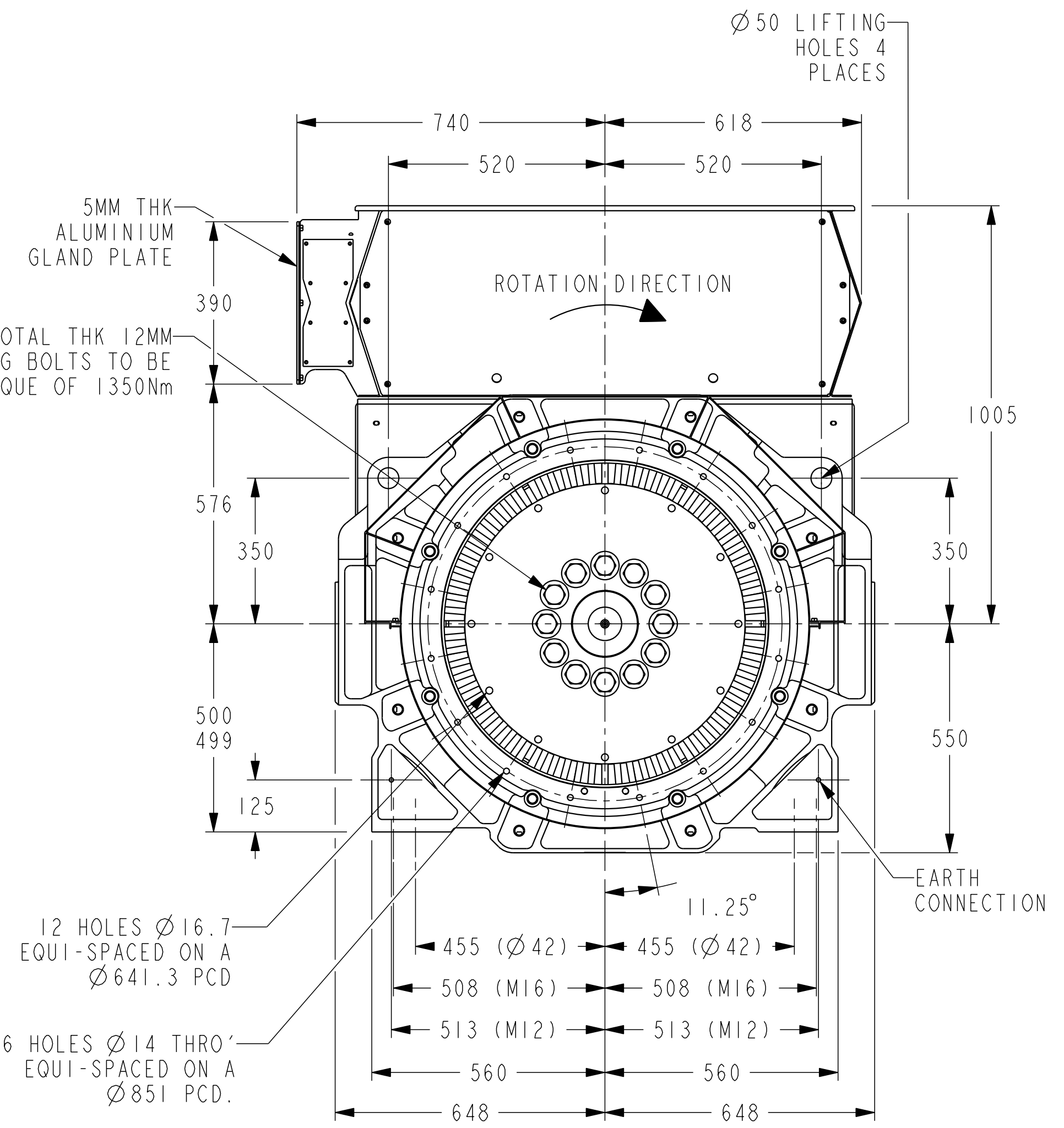
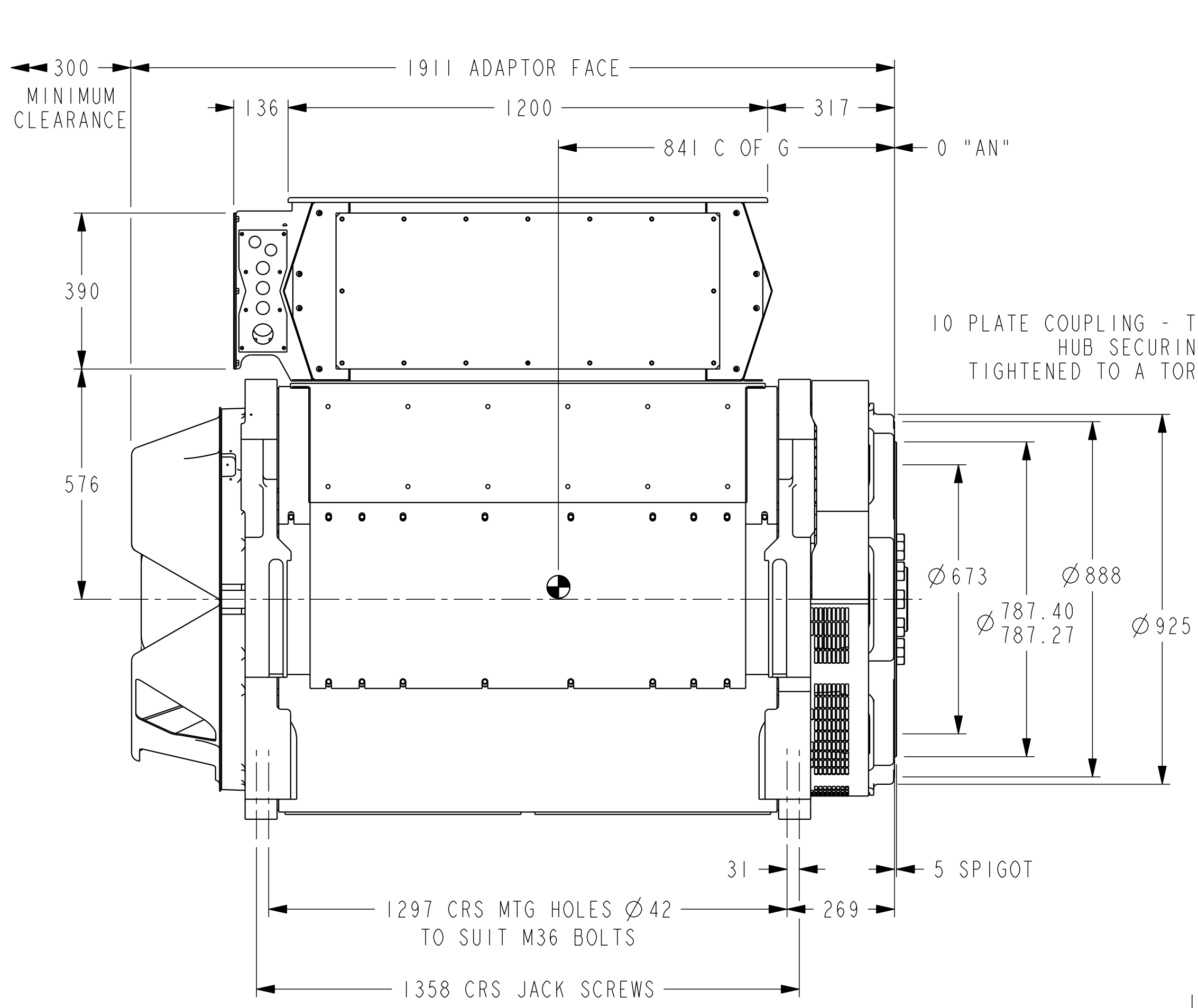


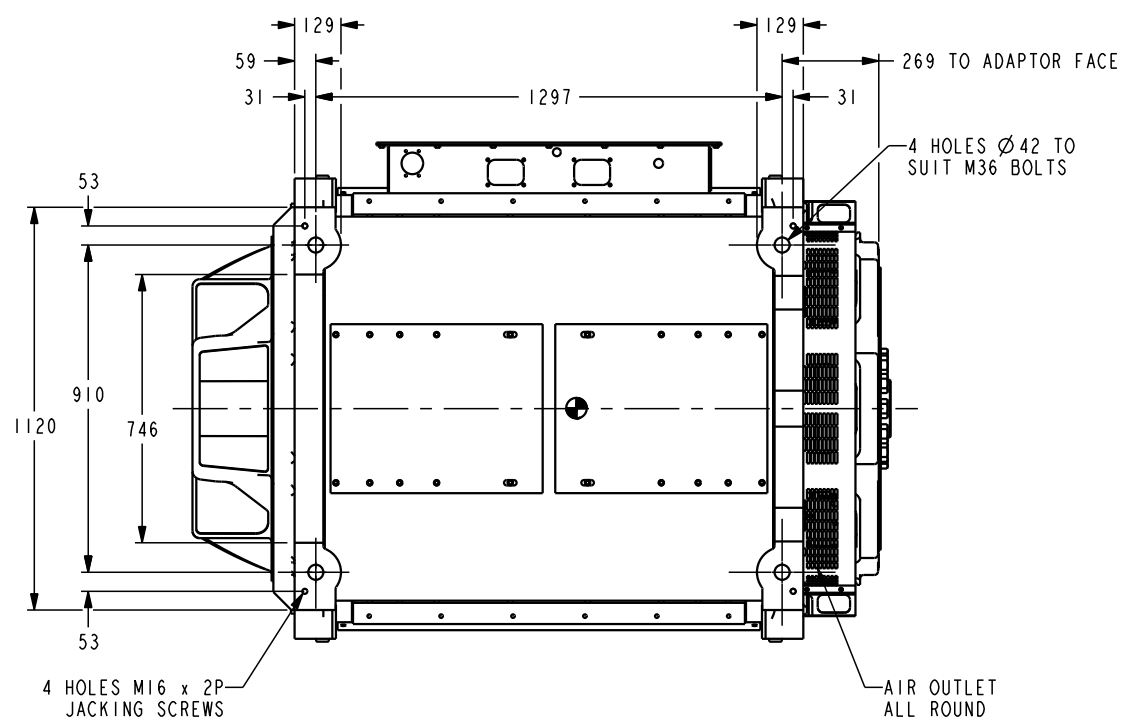
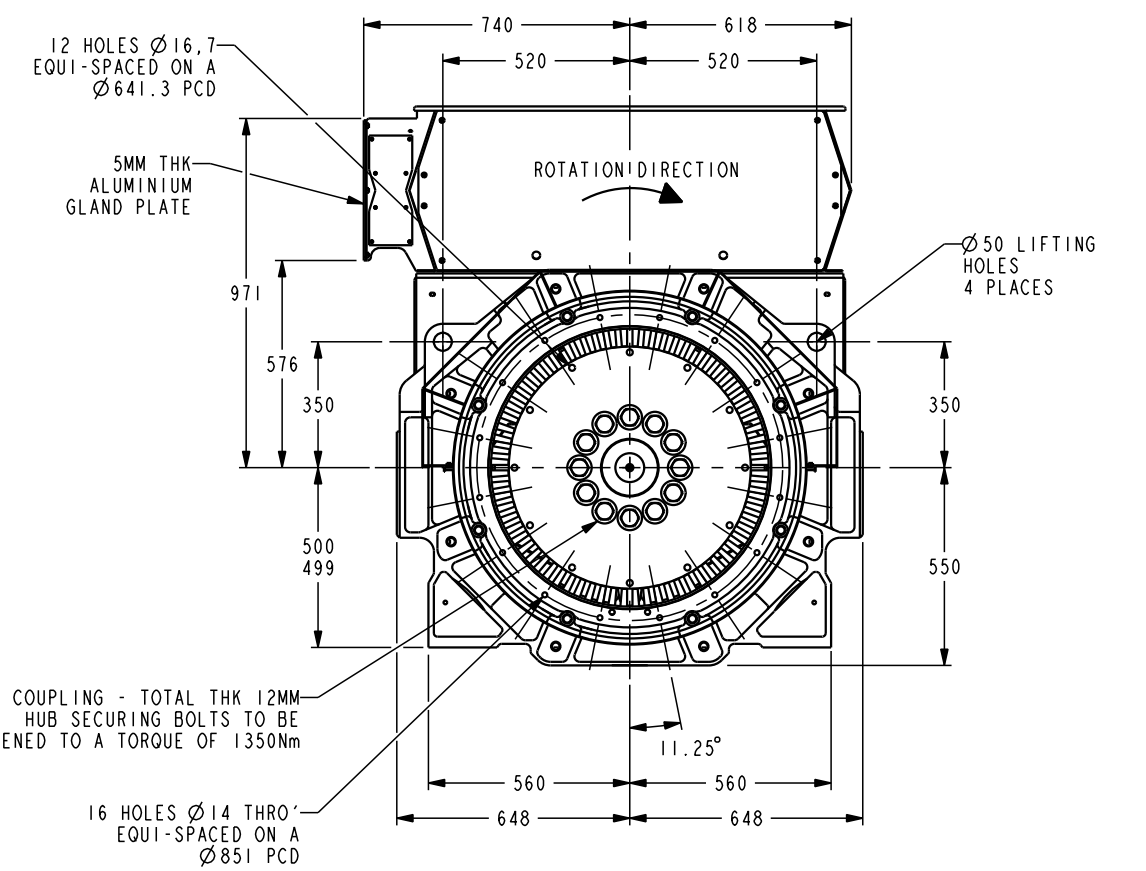
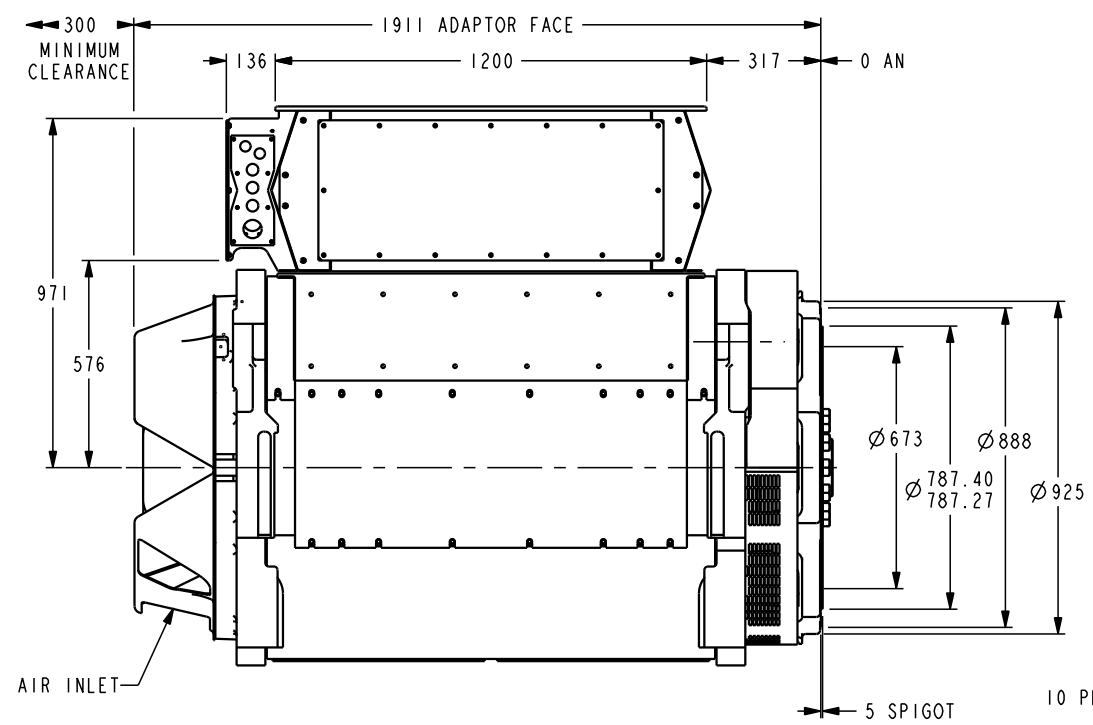
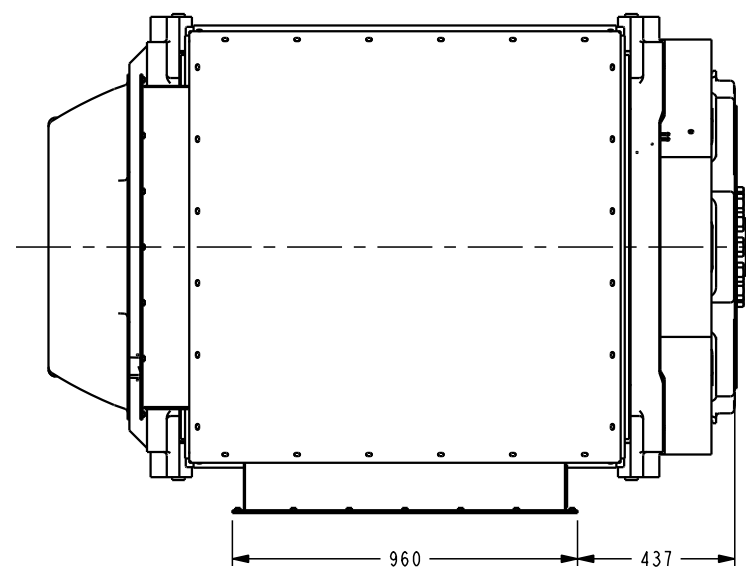
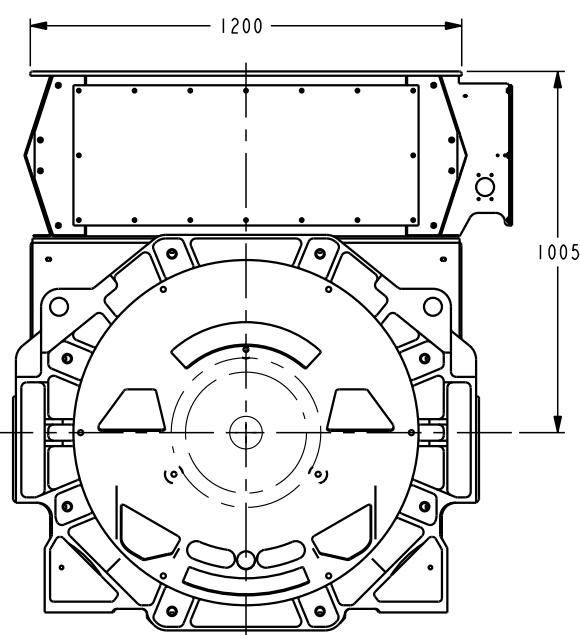
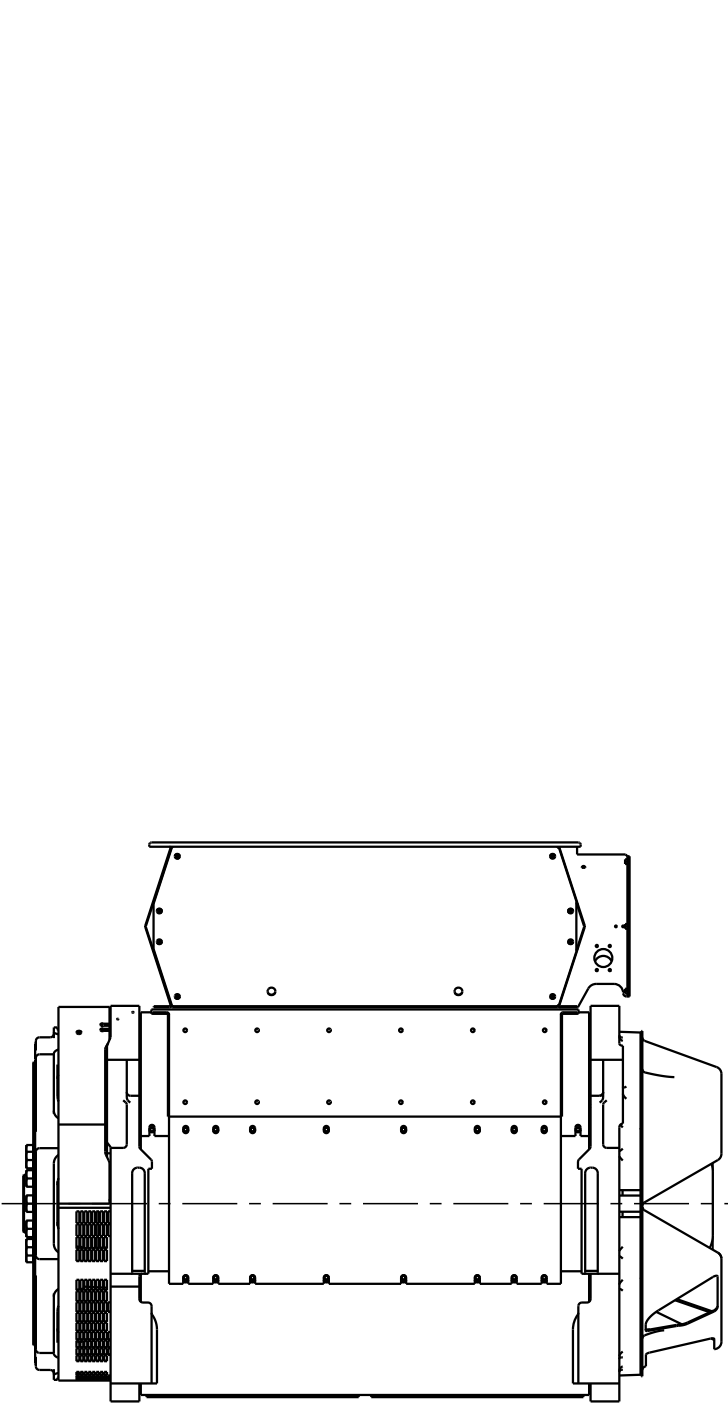
REL NO	REV	NO	REVISION	DWN	CKD	APVD	DATE
ECO-167693	B	1	DRAWING BORDER AND DIMENSIONING SCHEME UPDATED	AS	AS	D.LEE	30JAN17



NOMINAL WEIGHT BASED ON CAD MODEL 5664KG; NOT FOR INSPECTION

UNLESS OTHERWISE SPECIFIED, ALL DIMENSIONS ARE IN MILLIMETERS	SIM TO	DWN	A. SHAWYER		CUMMINS GENERATOR TECHNOLOGIES	
	DO NOT SCALE PRINT	CKD	J. SAUNDERS		DRAWING, GENERAL ASSEMBLY	
SCALE 1:10		APVD	R. MACMENEMEY	SITE CODE	P80 HV S CORE / INTEGRATED FOOT / SAE00/21	
THIS DOCUMENT (AND THE INFORMATION SHOWN THEREON) IS CONFIDENTIAL AND PROPRIETARY AND SHALL NOT BE DISCLOSED TO OTHERS IN HARD COPY OR ELECTRONIC FORM, REPRODUCED BY ANY MEANS, OR USED FOR ANY PURPOSE WITHOUT WRITTEN CONSENT OF CUMMINS INC.		DATE	10OCT08		FIRST USED ON	STA
						CAD SHEET 1 of 2

D
C
B
A



NOMINAL WEIGHT BASED ON CAD MODEL 5664KG; NOT FOR INSPECTION

UNLESS OTHERWISE SPECIFIED, ALL DIMENSIONS ARE IN MILLIMETERS	SCALE 1:10	APPD J. SAUNDERS	DATE 10 OCT 08	STA AO
DO NOT SCALE PRINT		APPD R. MACNEMNEY	DATE 10 OCT 08	STA AO
THIS DOCUMENT AND THE INFORMATION CONTAINED HEREIN IS UNCLASSIFIED EXCEPT WHERE SHOWN OTHERWISE. IT IS TO BE CONTAINED IN ANY SYSTEM OR FORM, BY ANY NAME OR BY ANY OTHER MEANS, AND IS TO BE FREELY REPRODUCED, COPIED, AND TRANSMITTED IN ANY FORM AND BY ANY MEANS, WITHOUT PERMISSION FROM ANY OF THE CUMMINS CORPORATION.	FORM CUMMINS CORPORATION 17 JAN 08 USE ON DRAWING 11-1, 2, 3, 10-08	CUMMINS GENERATOR TECHNOLOGIES		CAD SHEET 2 of 2
		DRAWING, GENERAL ASSEMBLY		80-2486
			80 HV S CORE / INTEGRATED FOOT / SAE00021	

D
C
B
A