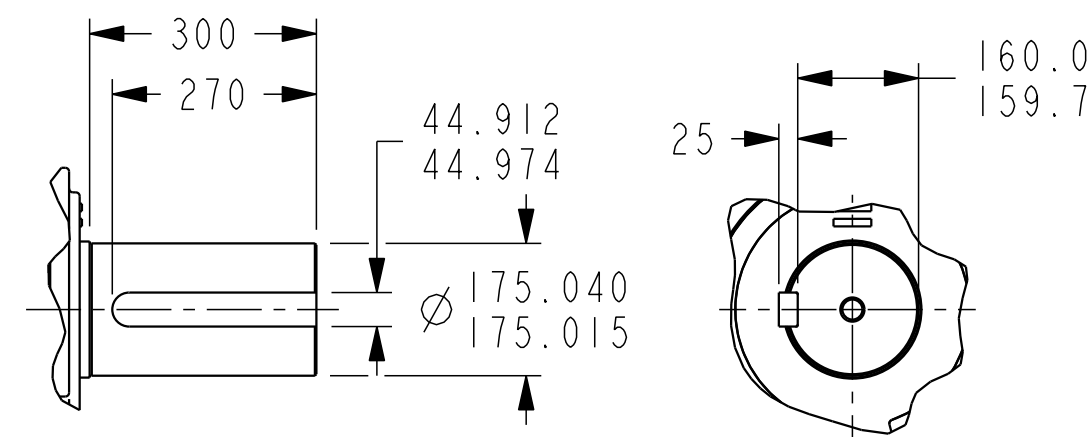
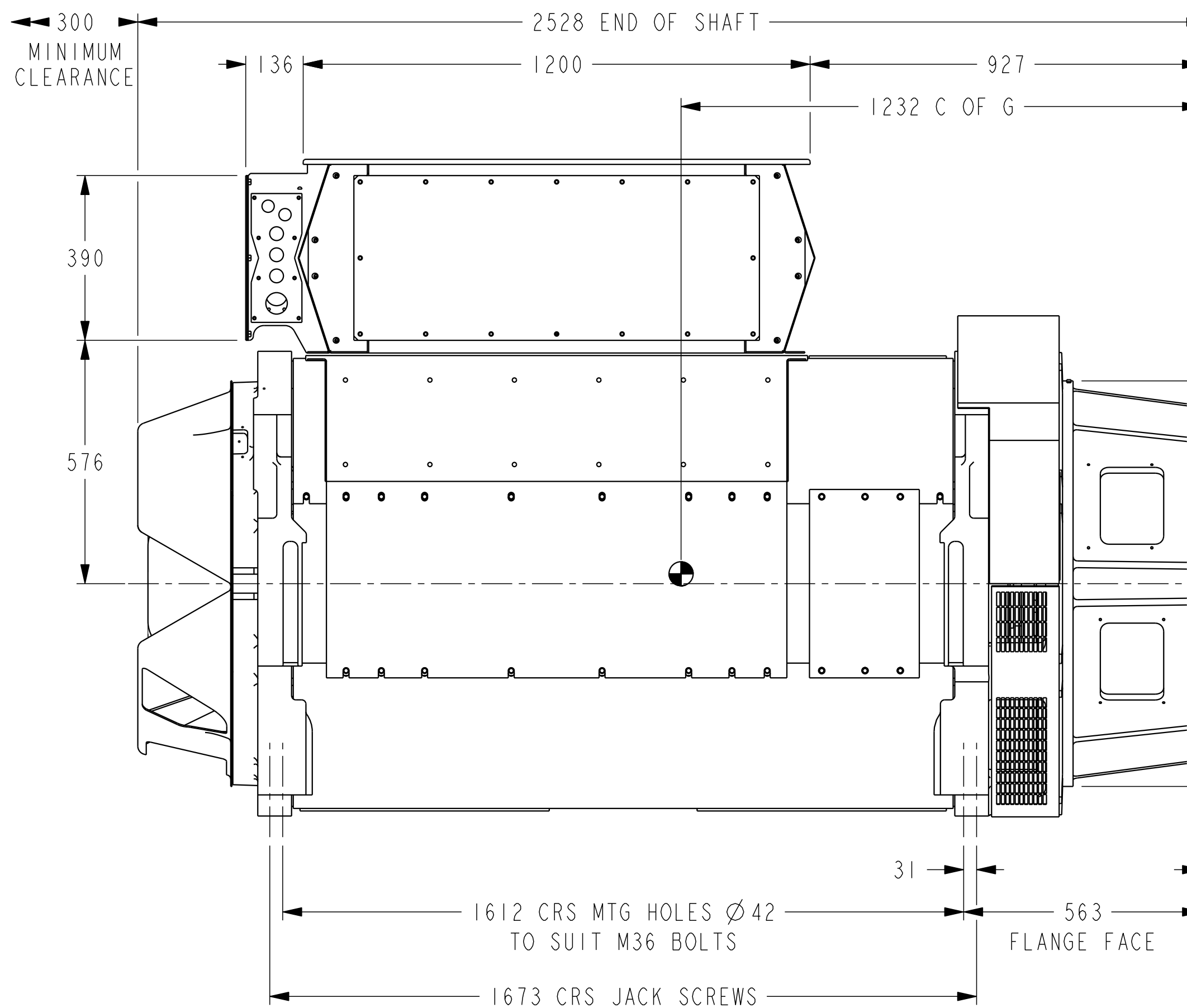


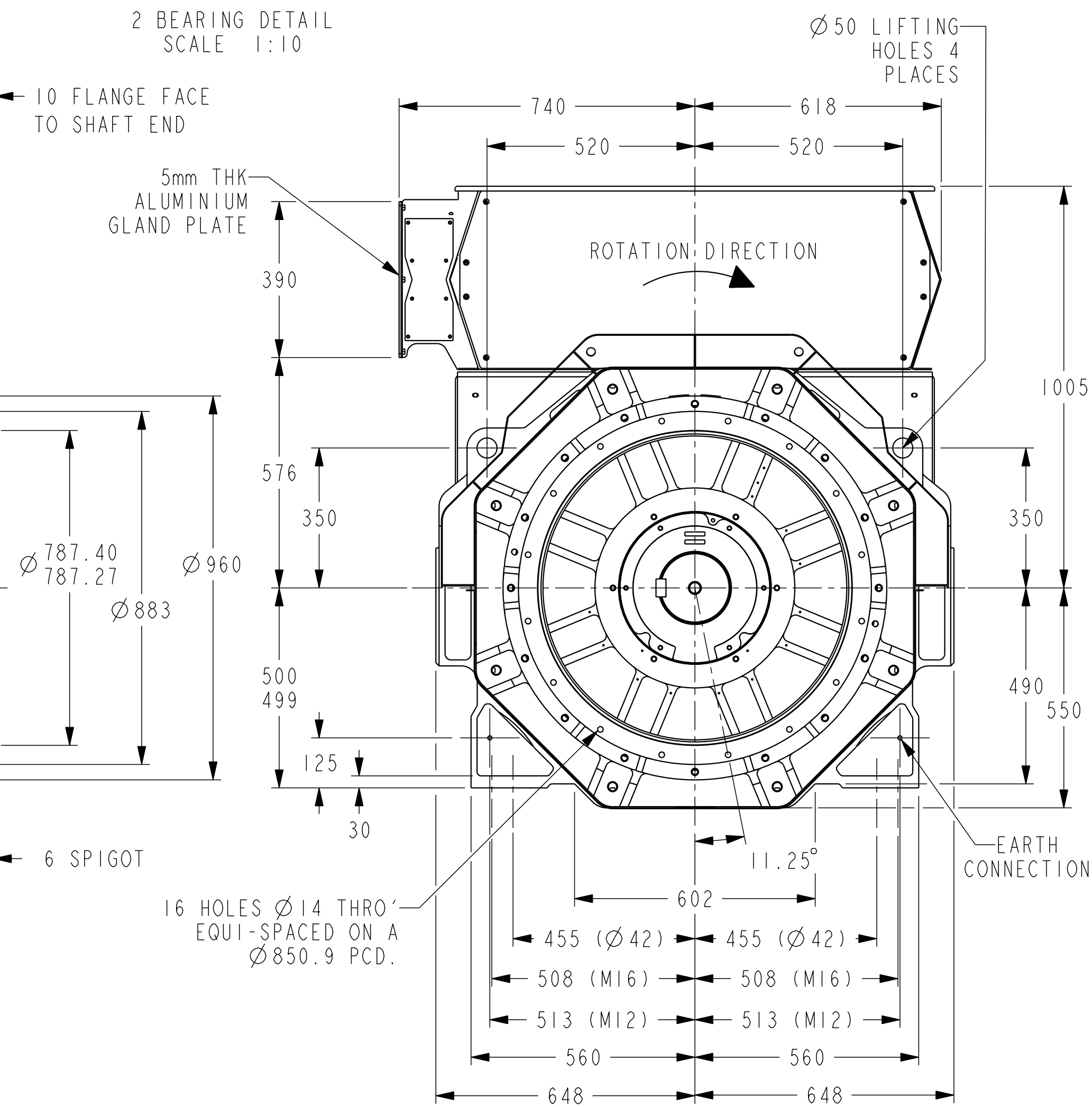
REL NO	REV	NO	REVISION	DWN	CKD	APVD	DATE
ECO-184180	C	1	MISSING COMPONENT (BEARING CARRIER) SHOWN	AS	TC	M.RAG'N	27FEB19



2 BEARING DETAIL SCALE 1:10

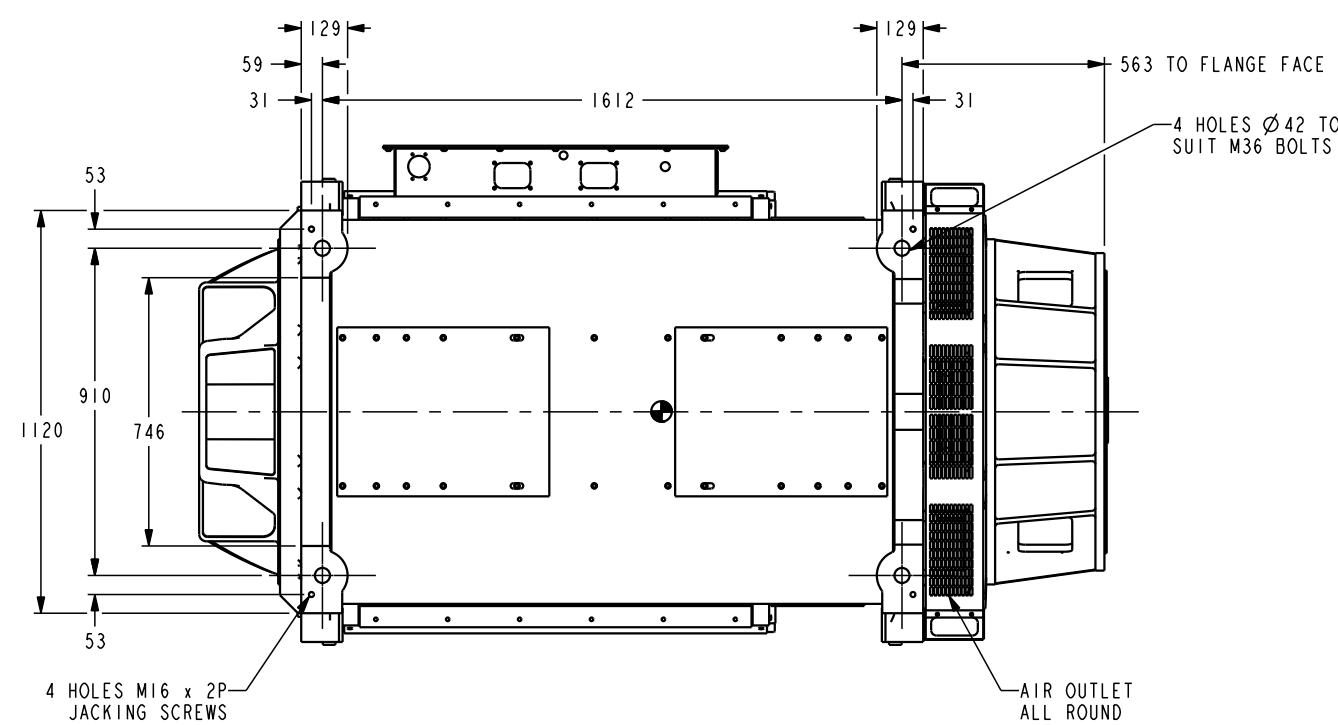
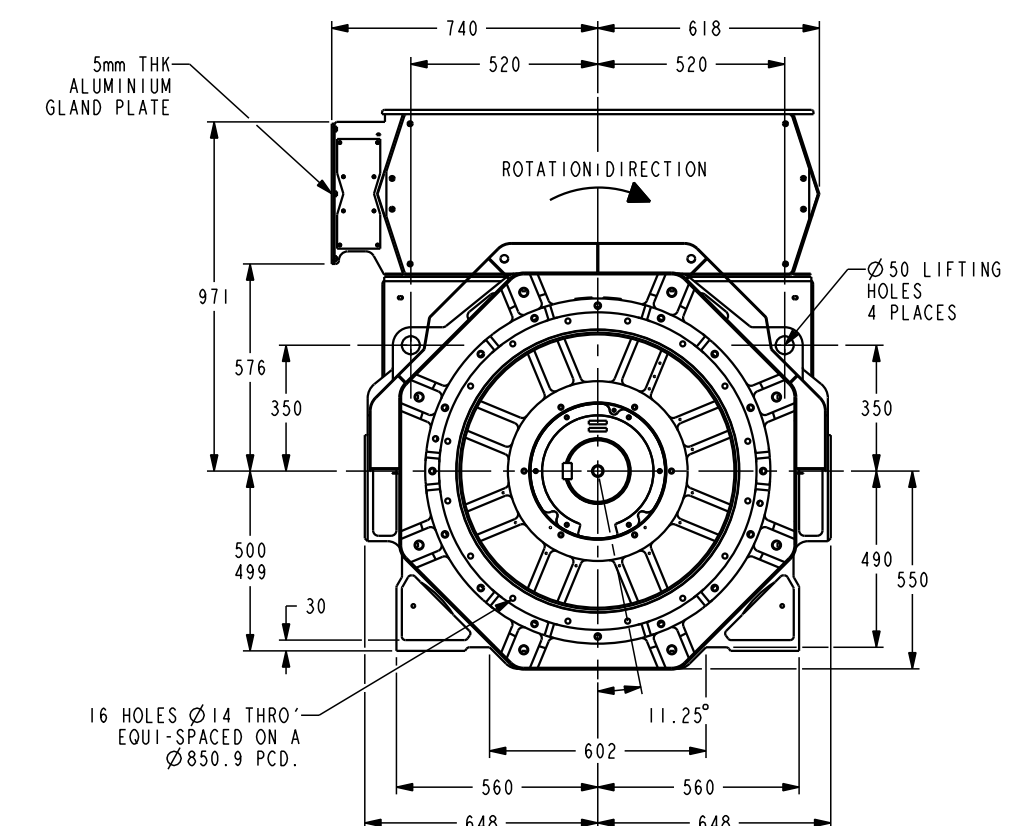
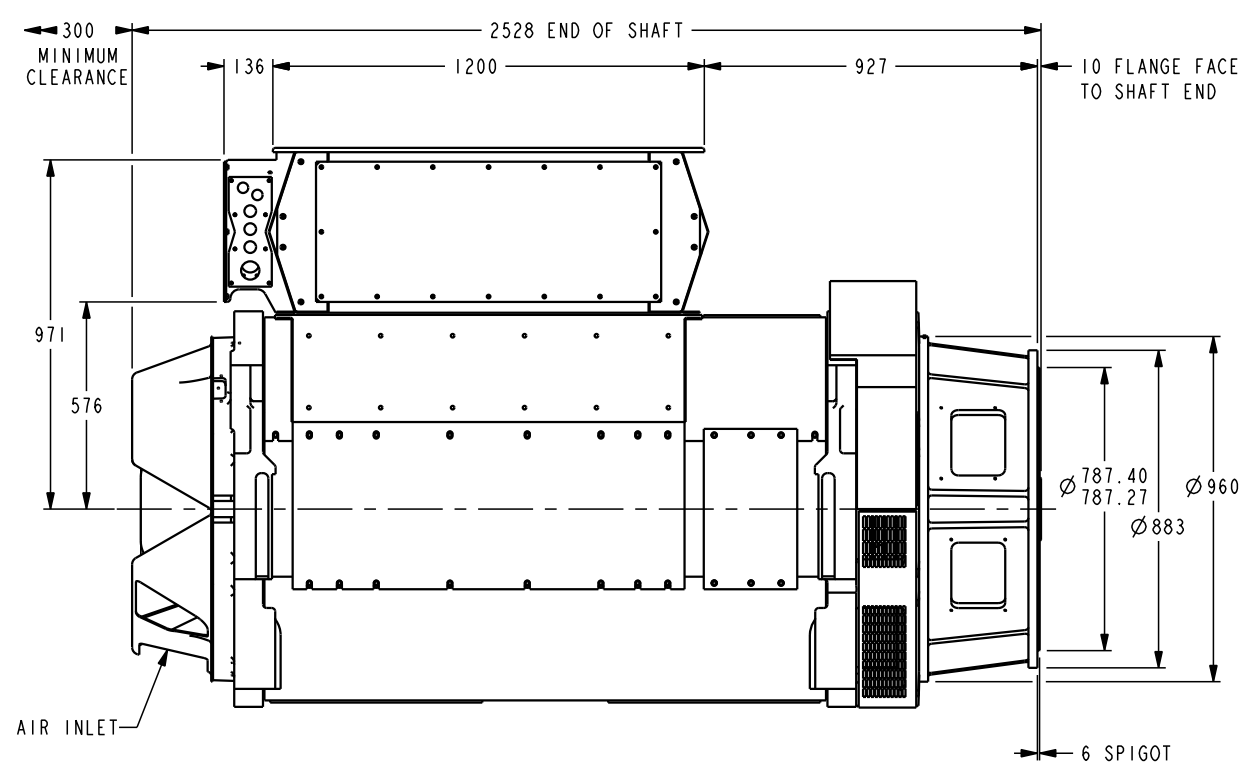
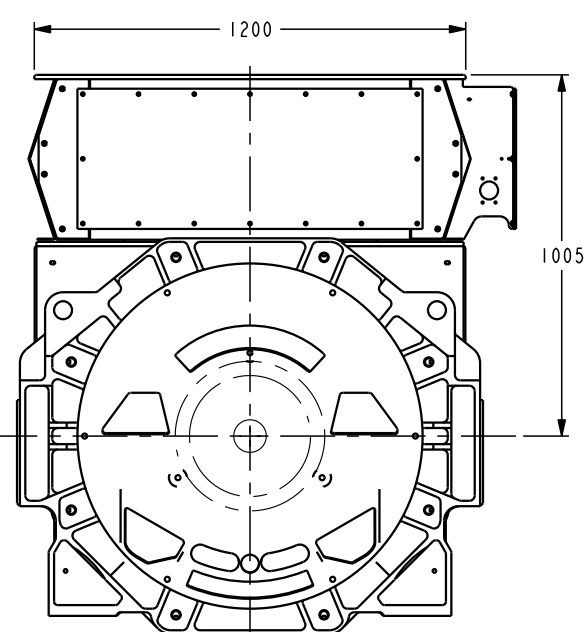
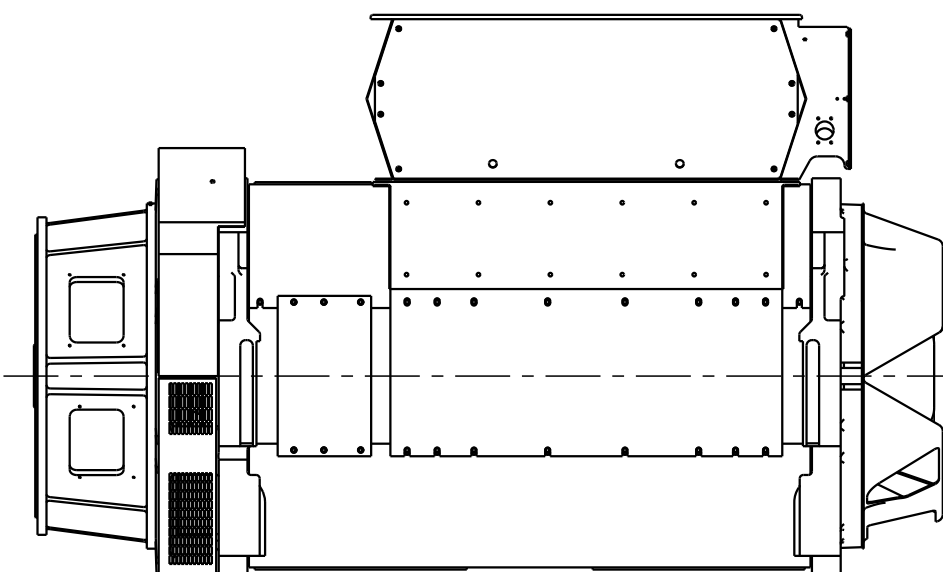
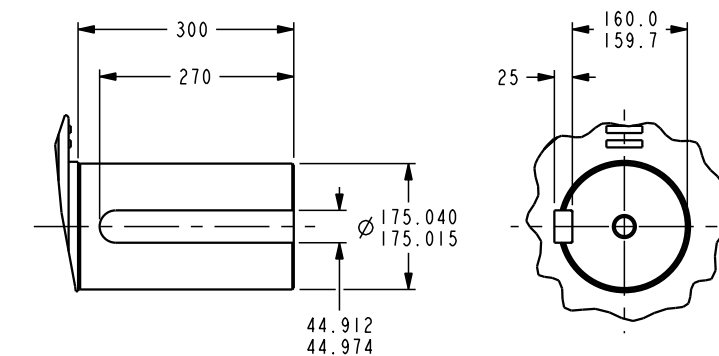
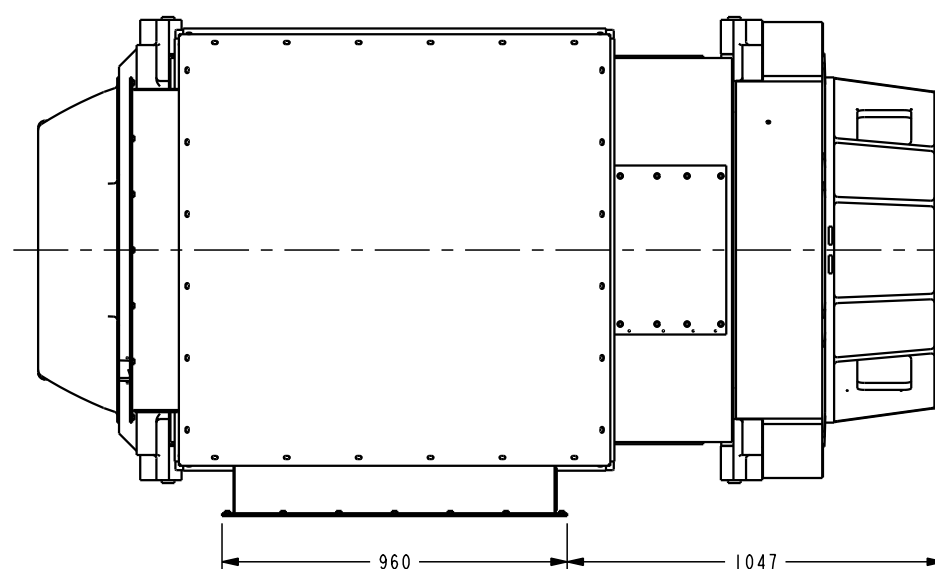


NOMINAL WEIGHT BASED ON CAD MODEL: 8091KG NOT FOR INSPECTION



UNLESS OTHERWISE SPECIFIED, ALL DIMENSIONS ARE IN MILLIMETERS SCALE 1:10	SIM TO	DWN A. SAVILL		CUMMINS GENERATOR TECHNOLOGIES	
	DO NOT SCALE PRINT	CKD J. SAUNDERS		DRAWING, GENERAL ASSEMBLY	
THIS DOCUMENT (AND THE INFORMATION SHOWN THEREON) IS CONFIDENTIAL AND PROPRIETARY AND SHALL NOT BE DISCLOSED TO OTHERS IN HARD COPY OR ELECTRONIC FORM, REPRODUCED BY ANY MEANS, OR USED FOR ANY PURPOSE WITHOUT WRITTEN CONSENT OF CUMMINS INC.		APVD R. MACMENEMEY	SITE CODE	P80 HV X CORE / INTEGRATED FOOT / SAE00 ADAPTOR	
		DATE 06 JAN09		STA	DWG SIZE A2
FOR INTERPRETATION OF DIMENSIONING AND TOLERANCING, SEE ASME Y14.5-2009		FIRST USED ON	CAD SHEET 1 OF 2		

REV. NO.	REV. DATE	REVISION	BY	CHKD.	APPD.	DATE
ECO-184180	C	I	MISSING COMPONENT (BEARING CARRIER) SHOWN	AS	TC	M.RAG'N 27FEB19



NOMINAL WEIGHT BASED ON CAD MODEL: 8091KG NOT FOR INSPECTION

UNLESS OTHERWISE SPECIFIED, ALL DIMENSIONS ARE IN MILLIMETERS	DO NOT SCALE PRINT	SCALE 1:10	DATE 06 JAN 09	APPD R. MACNEMEY	DATE 06 JAN 09	STA AO	80-2489	CUMMINS GENERATOR TECHNOLOGIES DRAWING, GENERAL ASSEMBLY P80 HW X CORE / INTEGRATED FOOT / SAE80 ADAPTOR	2 OF 2
---	--------------------	------------	----------------	------------------	----------------	--------	---------	--	--------