

REL NO	REV	DETAIL	DWN	CKD	APVD	DATE
ECO-118203	A	PRODUCTION RELEASE	AGS	JWS	AS	19JUL11

300 MINIMUM CLEARANCE

1911 ADAPTOR FACE

15,86 AN

136 1200 317

835 C OF G

6 HOLES Ø16,7 THRU' EQUI-SPACED ON A Ø543 PCD

Ø647,70
Ø647,57
Ø571,4 Ø711

10 PLATE COUPLING - TOTAL THK 12MM
HUB SECURING BOLTS TO BE TIGHTENED TO A TORQUE OF 1350Nm

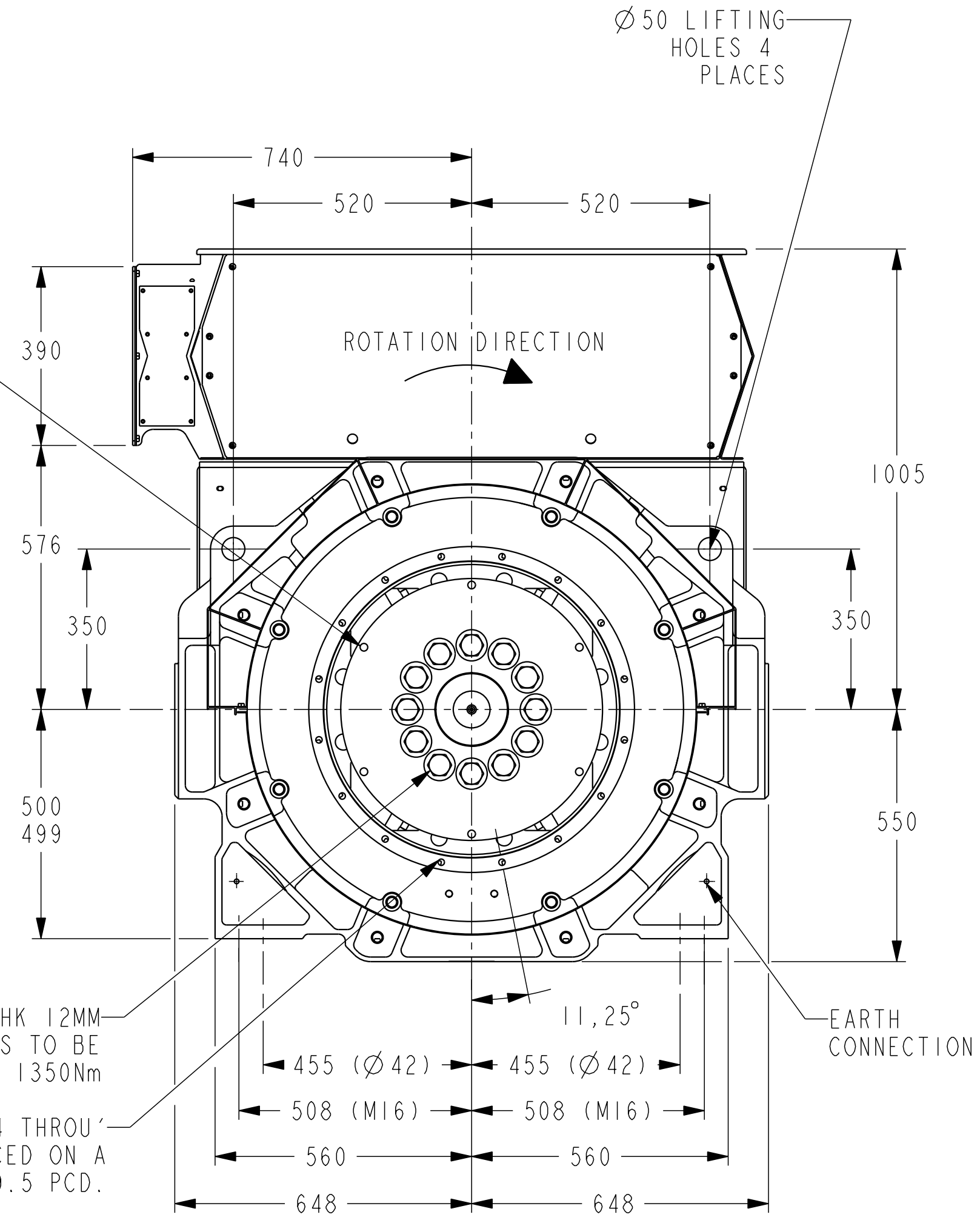
16 HOLES Ø14 THRU' EQUI-SPACED ON A Ø679.5 PCD.

1358 CRS JACK SCREWS

1297 CRS MTG HOLES Ø42 TO SUIT M36 BOLTS

31 269

APPROX WEIGHT = 5704 Kg



UNLESS OTHERWISE SPECIFIED, ALL DIMENSIONS ARE IN MILLIMETERS

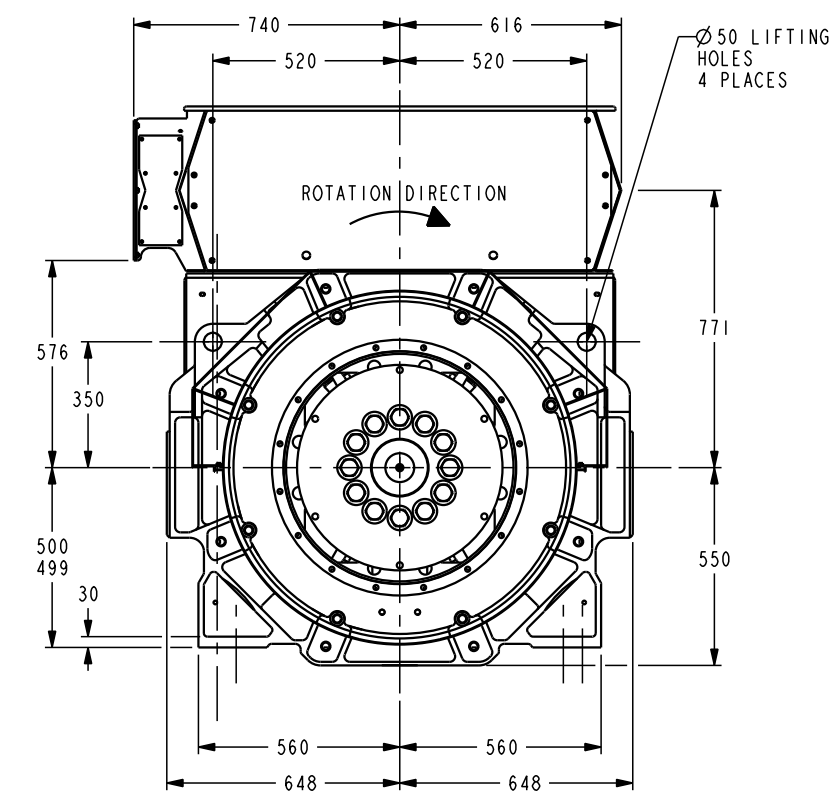
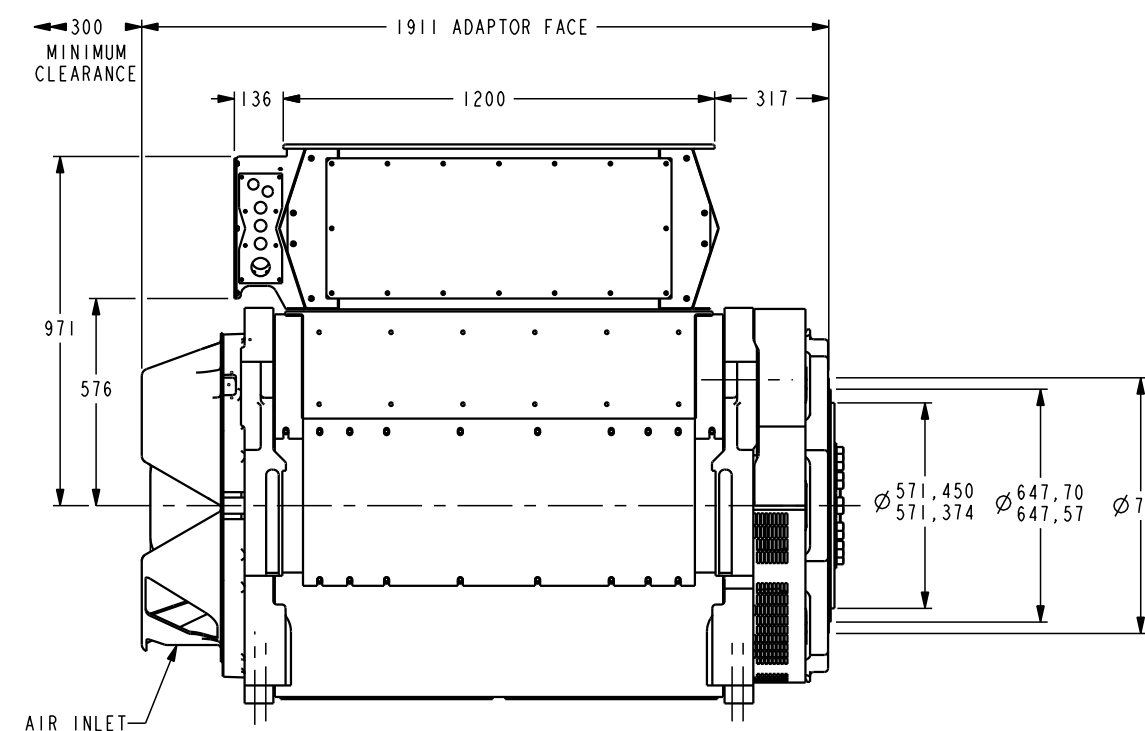
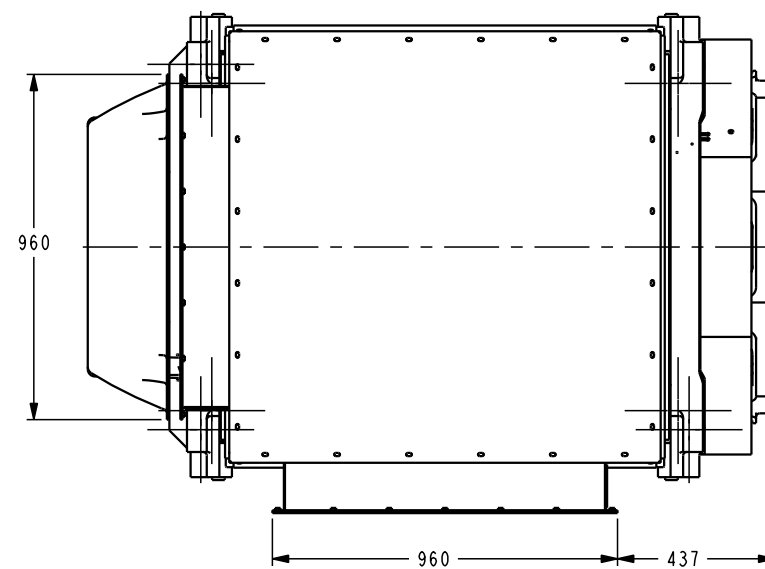
DIM	TOL	HOLE	TOL
X	± 1	0.00 - 4.99	+0.15/-0.08
X.X	± 0,1	5.00 - 9.99	+0.20/-0.10
X.XX	± 0,01	10.00 - 17.49	+0.25/-0.13
X.XXX	± 0,001	17.50 - 24.99	+0.30/-0.13

ANG TOL: ± 0,5° SCALE: 1:10

SIM TO	DWN AGS
DO NOT SCALE PRINT	CKD JWS
	APVD AS
- CONFIDENTIAL - PROPERTY OF CUMMINS GENERATOR TECHNOLOGIES	DATE 19JUL11
FOR INTERPRETATION OF DIMENSIONING AND TOLERANCING, SEE ASME Y14.5M-1994	FIRST USED ON -

	CUMMINS GENERATOR TECHNOLOGIES
SITE CODE	P80 ALTERNATOR MV S CORE CENTRE HEIGHT 500 / ADAPTOR SAE0/18
STA	DWG SIZE A2 A040SI27
SHEET 1	REV A

REL NO	REV	DETAIL	OWN	CD	APPD	DATE
ECO-118203	A	PRODUCTION RELEASE	AGS	JWS	AS	19 JUL 11



D

D

C

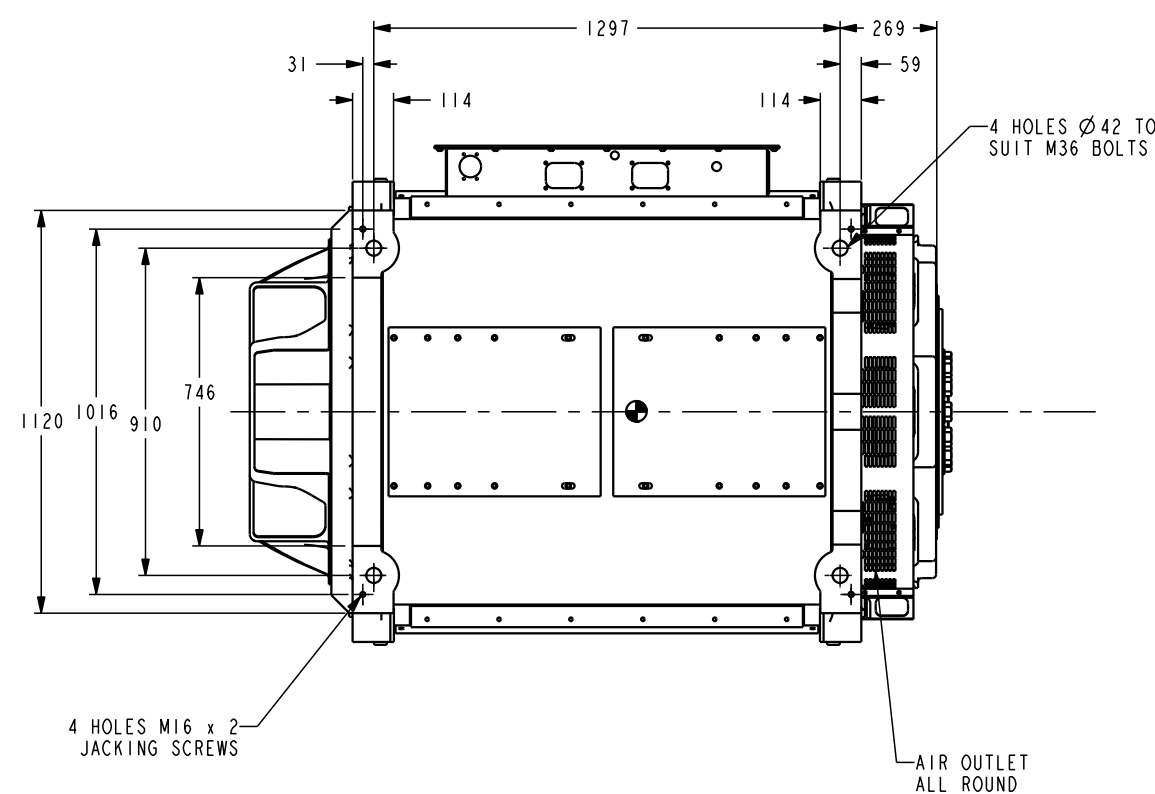
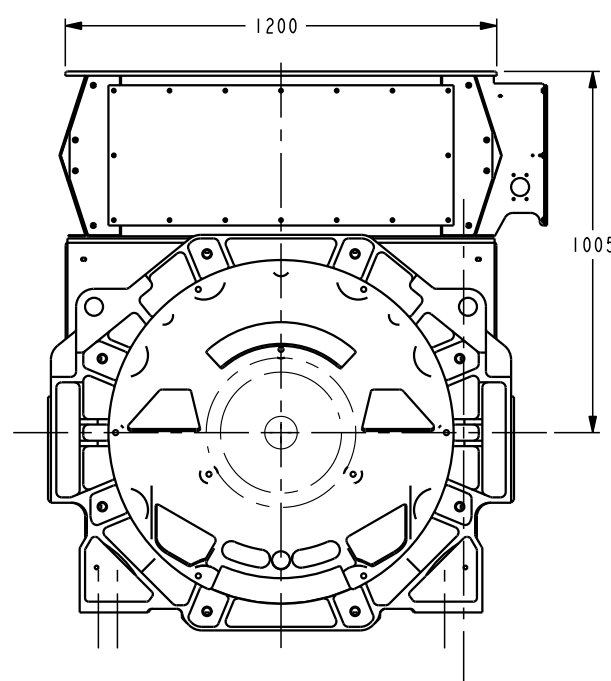
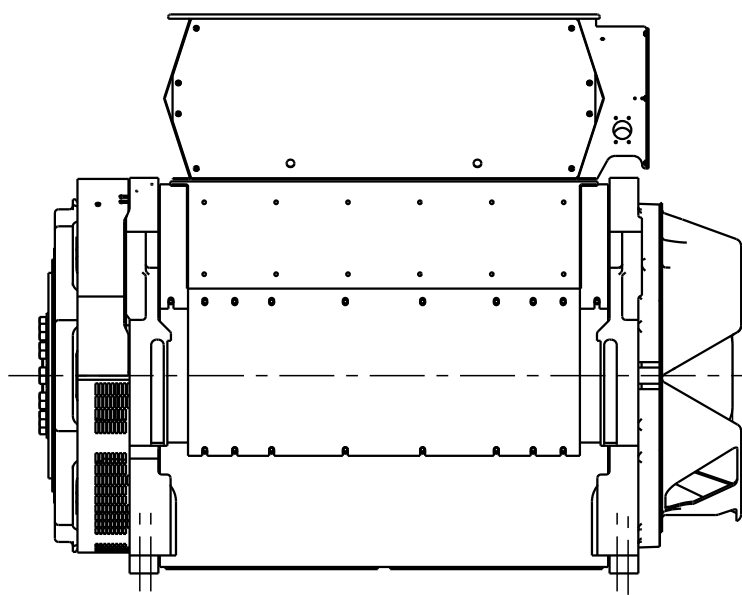
C

B

B

A

A



FRAME	P80
CORE LENGTH	S
VOLTAGE RATING	MV
BEARINGS	I
CENTRE HEIGHT	INTEGRAL 500
ADAPTOR	SAE0
COUPLING	SAE18
ENCLOSURE	IP23
CABLE ENTRY FROM DE	LEFT

UNLESS OTHERWISE SPECIFIED, ALL DIMENSIONS ARE IN MILLIMETERS		DO NOT SCALE PRINT	DATE 19 JUL 11	PROPERTY OF CUMMINS GENERATOR TECHNOLOGIES
X ± 1	0.00-4.99 +0.15/-0.08			
X.X ± 0.1	5.00-9.99 +0.20/-0.10			
X.XX ± 0.01	10.00-17.49 +0.25/-0.13			
	17.50-24.99 +0.30/-0.13			
ANG TOL: ± 0.5°	SCALE: 1:10			

OWN	AGS	CD	JWS	APPD	AS	DATE	19 JUL 11
STA	AO	A040S127					
SHEET	2	REV	A				