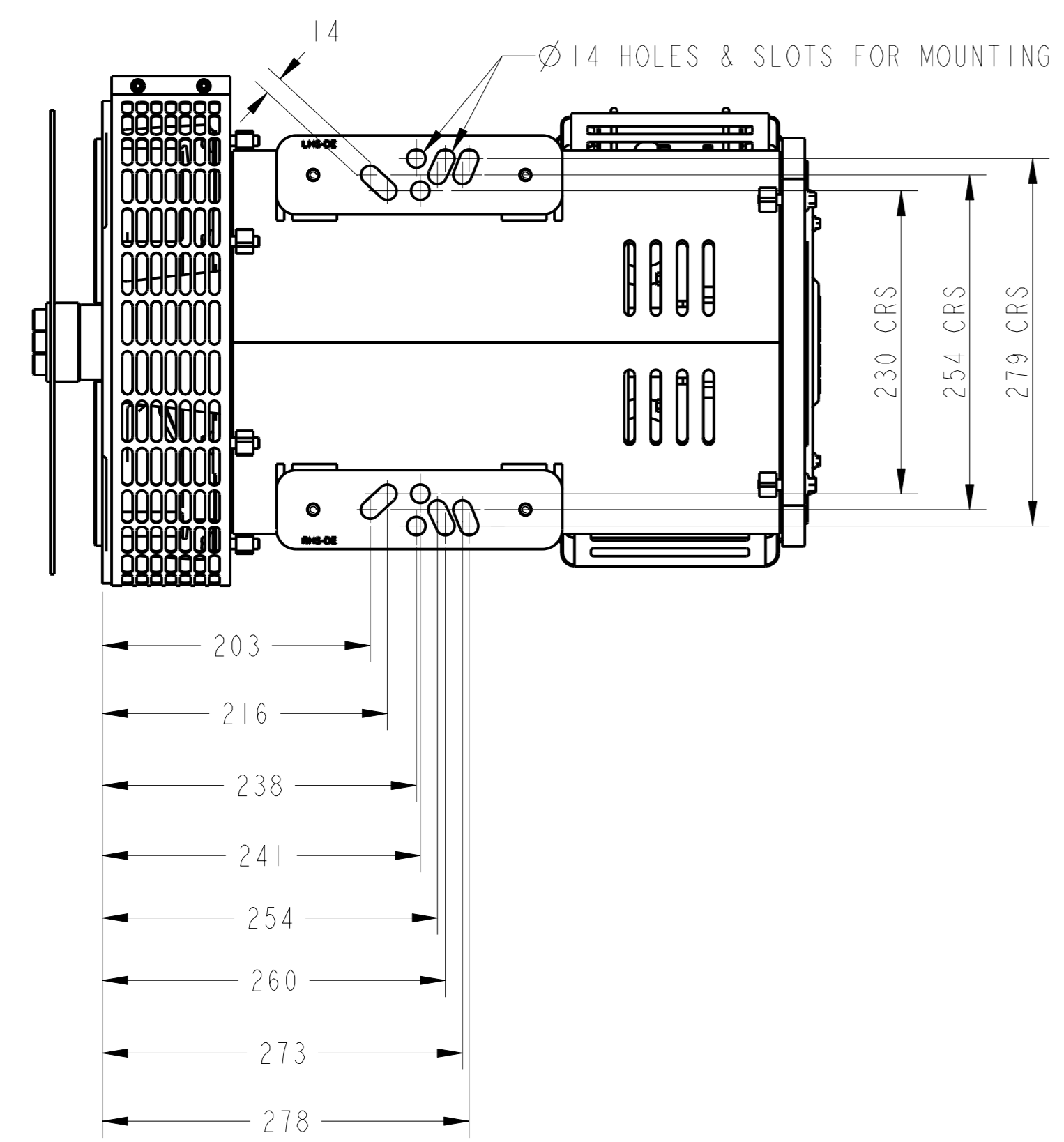
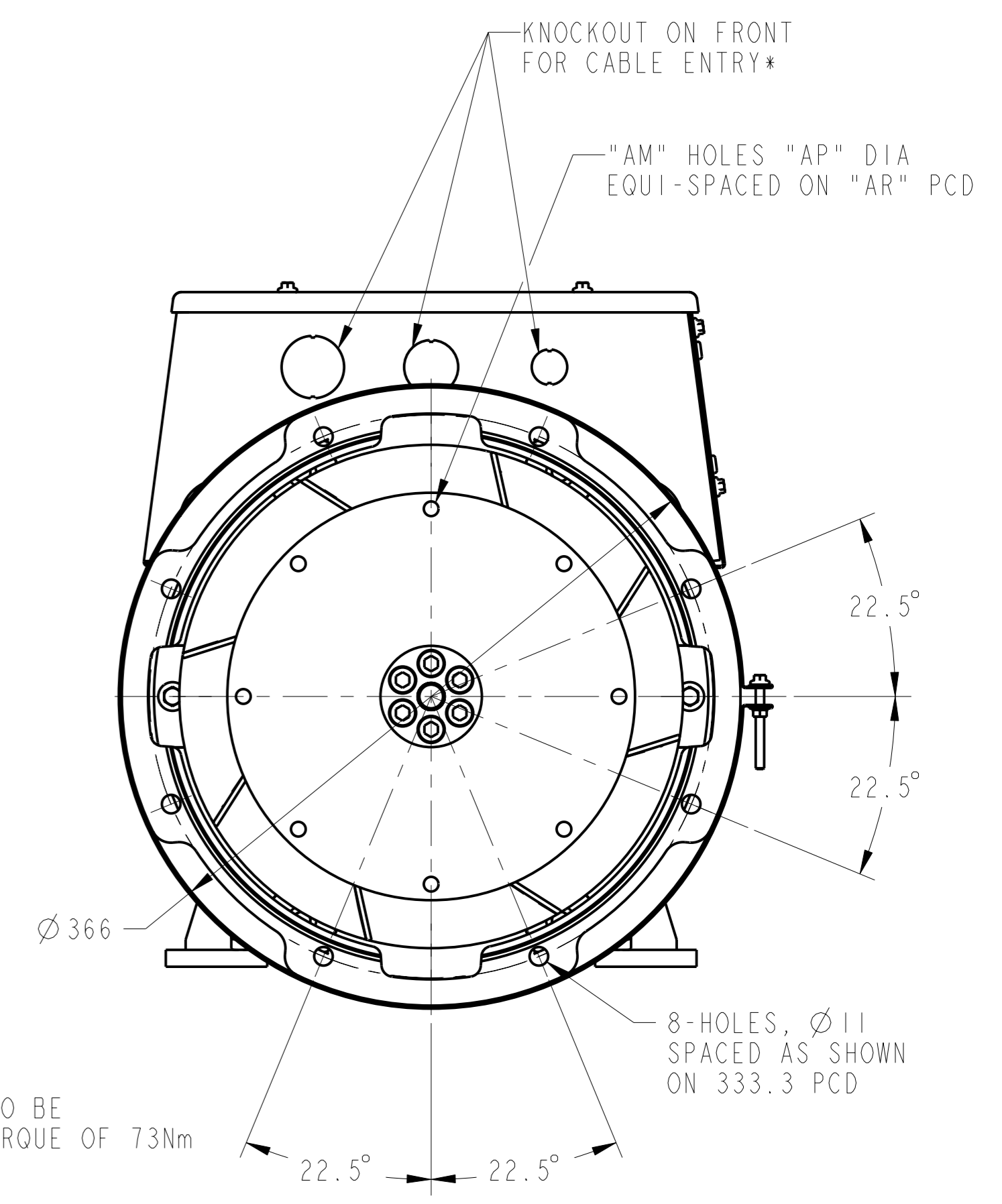
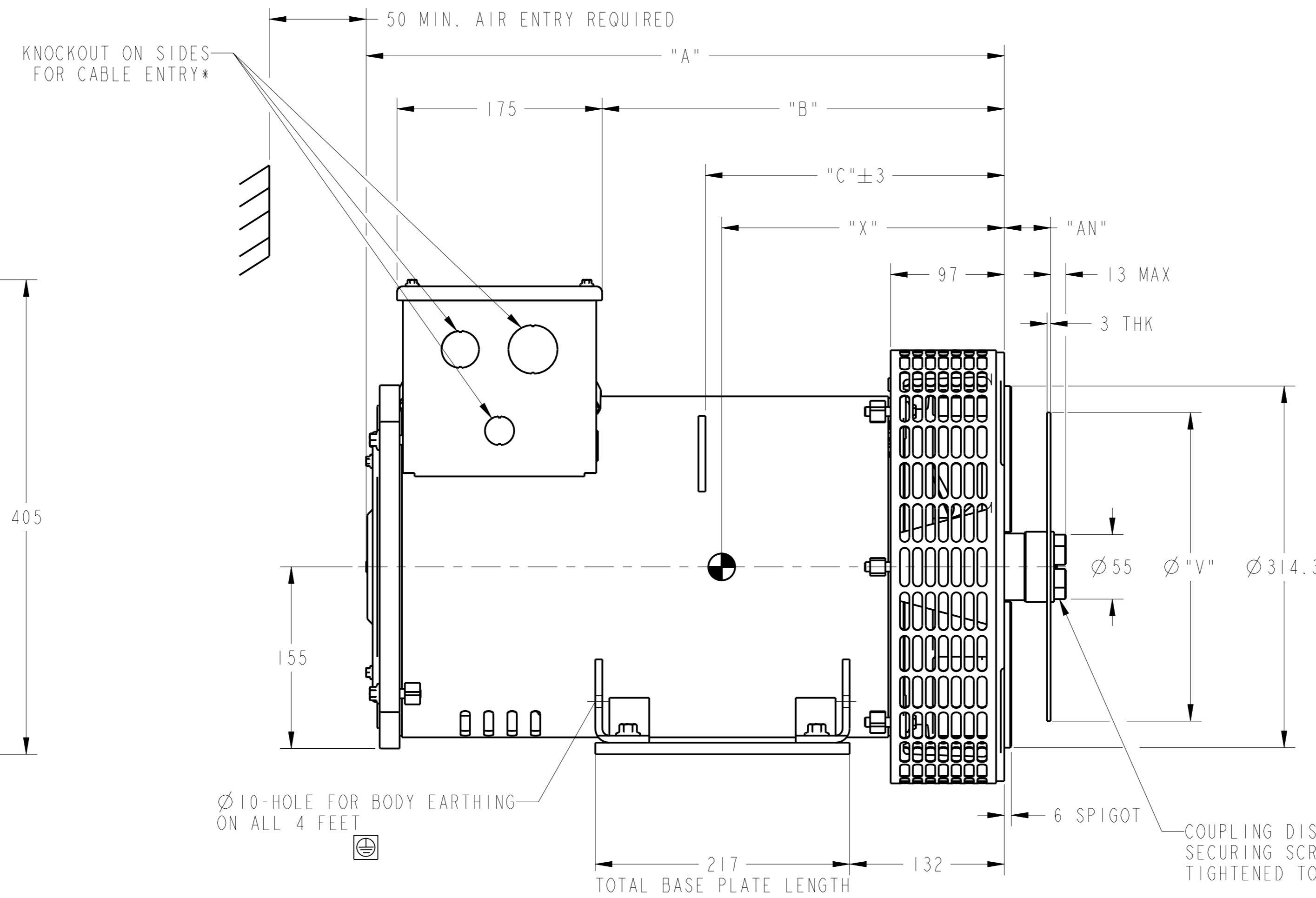
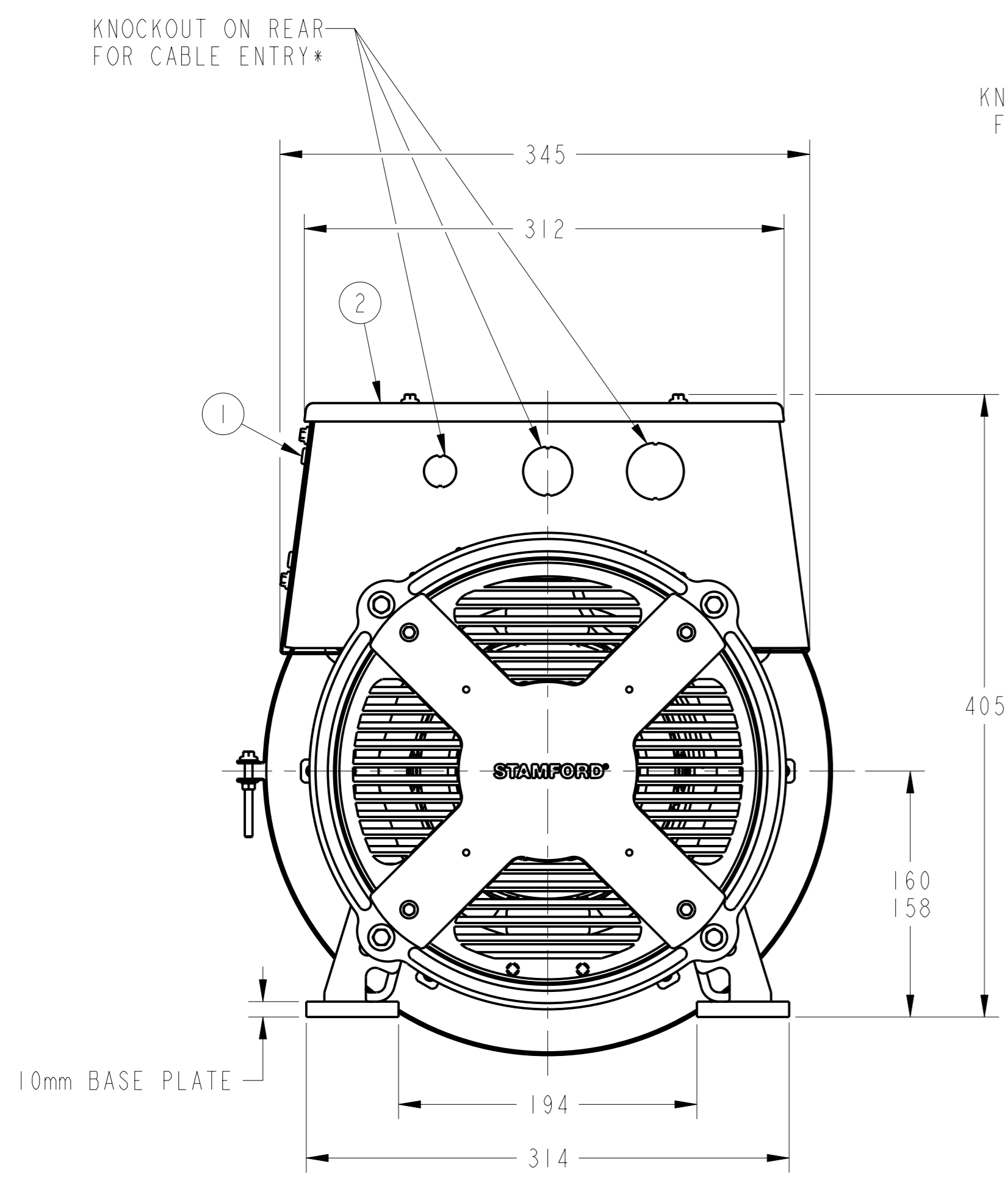


TABULATION						
FRAME	CURRENT ER	"A"	"B"	"C"	"X"	NETT WT (Kg)
SOL2-FI	ECO-163464	459.5	257	211	211	101
SOL2-GI	ECO-163464	459.5	257	211	211	107
SOL2-KI	ECO-163464	479.5	277	222	222	113
SOL2-MI	ECO-163464	494.5	292	230	230	124
SOL2-PI	ECO-163464	514.5	312	240	240	132
SOL2-UI	ECO-163464	544.5	342	255	255	141

COUPLING DISC					
SAE	"AN"	"AM"	"AP"	"AR"	"V"
6.5	30.2	6	8.7	200.0	215.8
7.5	30.2	8	8.7	222.3	241.2

REL NO	REV	DETAIL	DWN CKD	APVD	DATE
ECO-163464	C	PRODUCTION RELEASE	MMA/UKD	S. JOSHI	26 JUL 16
ZONE D2; ADD ±3 ON "C" DIM					

①-REMOVABLE COVER FOR ACCESS TO AVR
 ②-REMOVABLE COVER FOR ACCESS TO MAIN TERMINALS
 * FOR KNOCKOUT DETAILS REFER TERMINAL BOX DRAWING



SCALE 1:4
 FOOT PRINT VIEW

UNLESS OTHERWISE SPECIFIED, ALL DIMENSIONS ARE IN MILLIMETERS		SIN NO	DWN M. ATHANI		CUMMINS GENERATOR TECHNOLOGIES															
DO NOT SCALE PRINT		CKD U. DAGWALE	I-BEARING ALTERNATOR SAE5 ADAPTER		SHEET 1															
<table border="1"> <tr> <th>DIM</th> <th>HOLE</th> <th>TOL</th> </tr> <tr> <td>X ± 1</td> <td>0.00 - 4.99</td> <td>+0.15/-0.08</td> </tr> <tr> <td>X.X ± 0.1</td> <td>5.00 - 9.99</td> <td>+0.20/-0.10</td> </tr> <tr> <td>X.XX ± 0.01</td> <td>10.00 - 12.49</td> <td>+0.25/-0.13</td> </tr> <tr> <td></td> <td>17.50 - 24.99</td> <td>+0.30/-0.13</td> </tr> </table>		DIM	HOLE	TOL		X ± 1	0.00 - 4.99	+0.15/-0.08	X.X ± 0.1	5.00 - 9.99	+0.20/-0.10	X.XX ± 0.01	10.00 - 12.49	+0.25/-0.13		17.50 - 24.99	+0.30/-0.13	APVD S. JOSHI	DATE 13 JAN 16	SITE CODE
DIM	HOLE	TOL																		
X ± 1	0.00 - 4.99	+0.15/-0.08																		
X.X ± 0.1	5.00 - 9.99	+0.20/-0.10																		
X.XX ± 0.01	10.00 - 12.49	+0.25/-0.13																		
	17.50 - 24.99	+0.30/-0.13																		
ANG TOL: ± 0.5°		SCALE: 1:3	FOR INTERPRETATION OF DIMENSIONING AND TOLERANCING, SEE ASME Y14.5M-1994																	
* CONFIDENTIAL * PROPERTY OF CUMMINS GENERATOR TECHNOLOGIES			PUN		A054H897															