

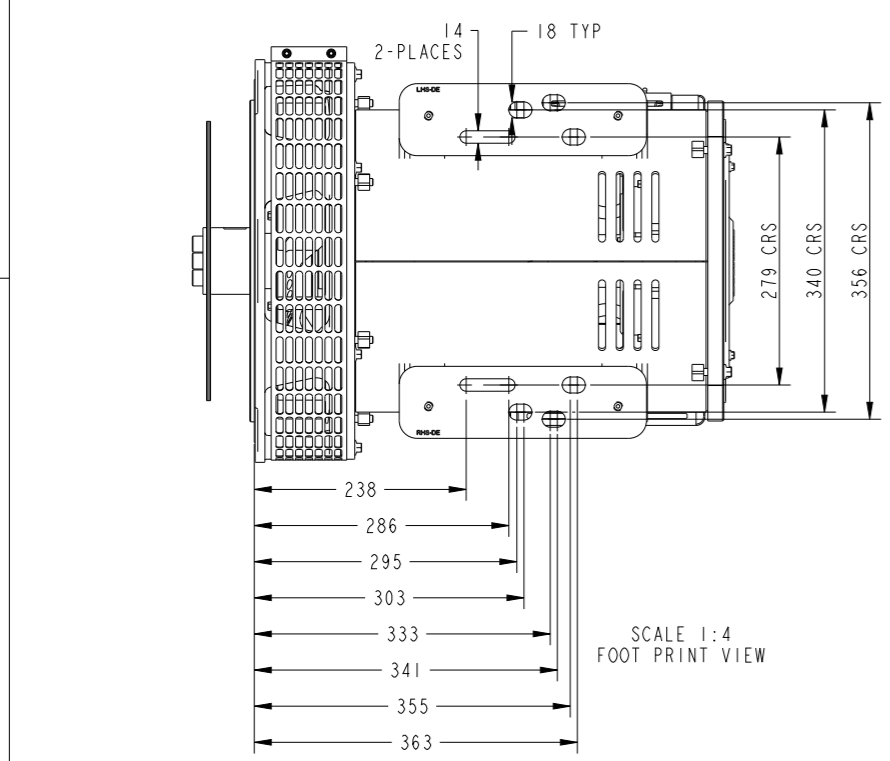
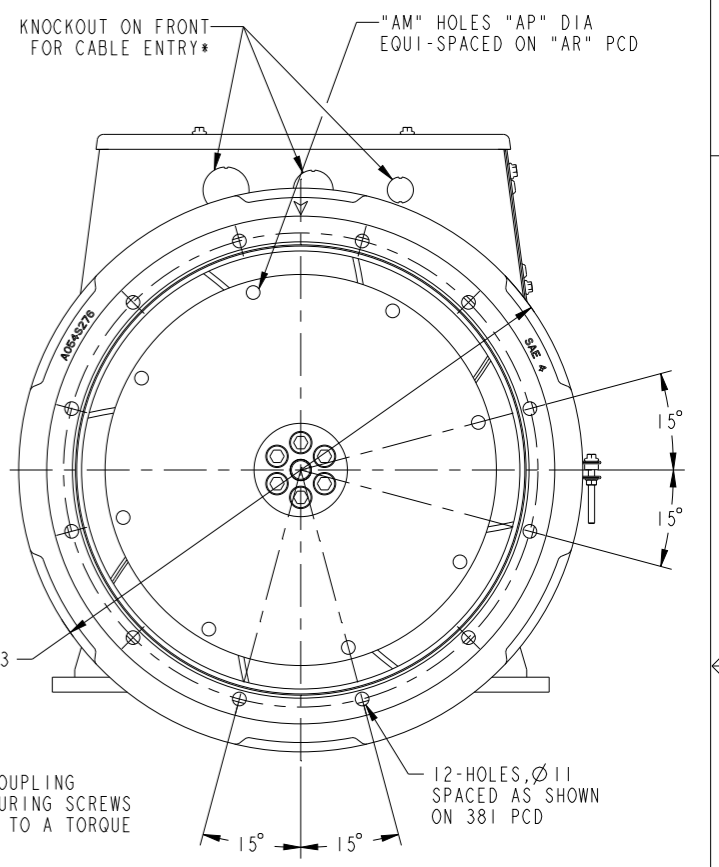
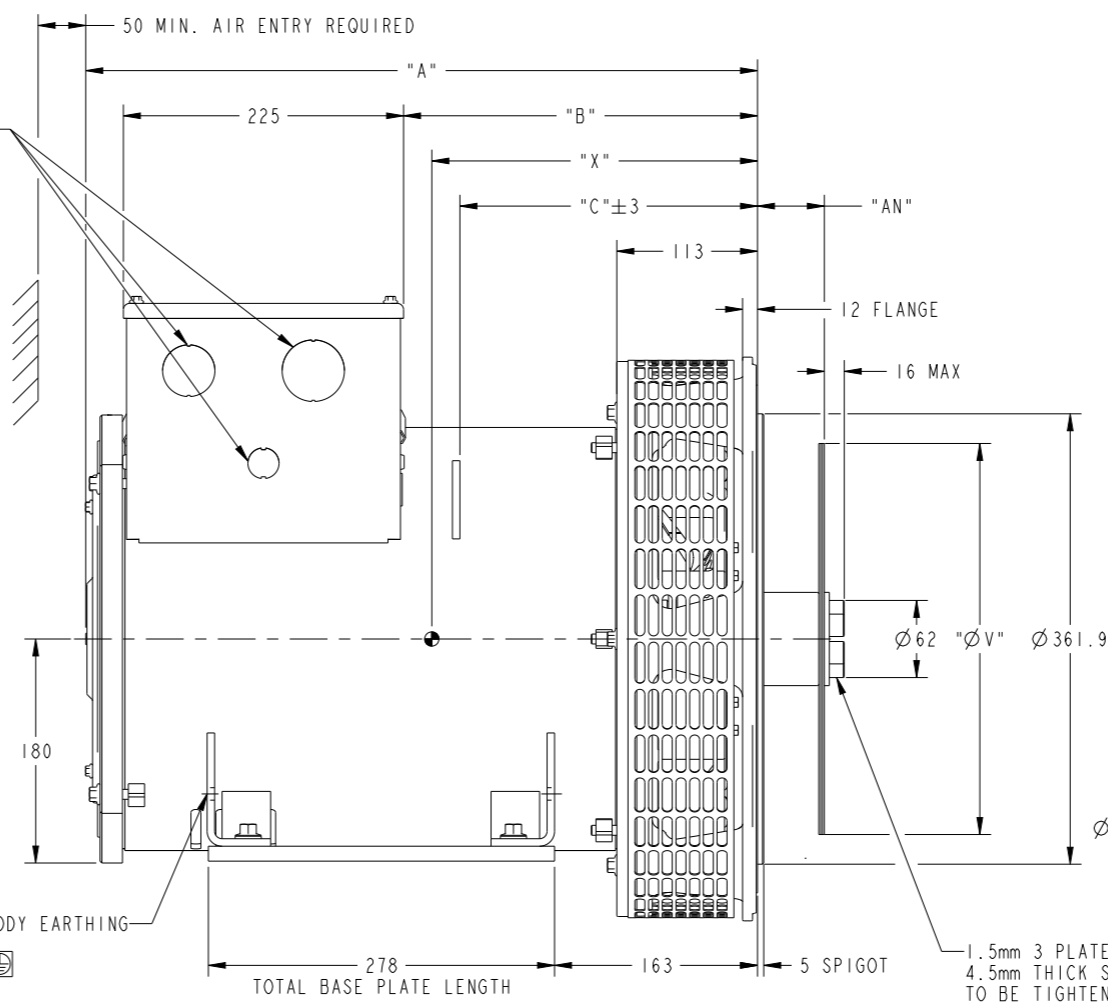
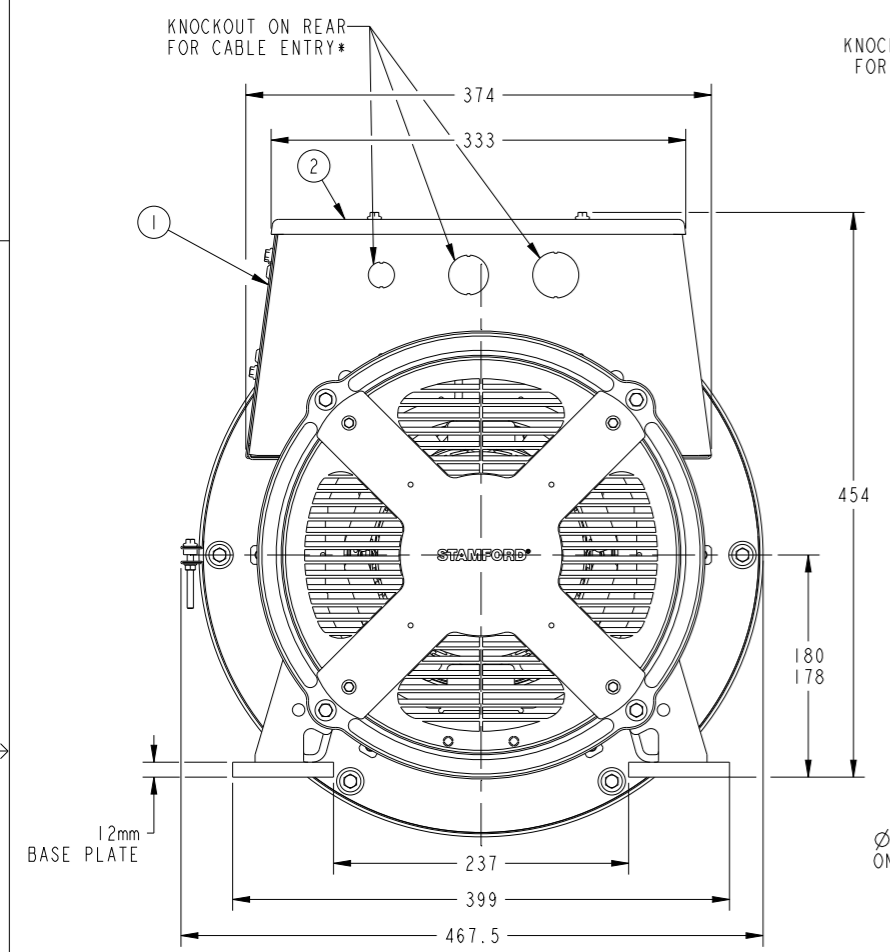
PTC® Creo® Parametric

TABULATION						
FRAME	CURRENT ER	"A"	"B"	"C"	"X"	NETT WT.(kg)
SIL2-GI	ECO-168066	539.5	284.5	239	260	164
SIL2-HI	ECO-168066	539.5	284.5	239	256	169
SIL2-JI	ECO-168066	539.5	284.5	239	252	177
SIL2-KI	ECO-168066	559.5	304.5	259	263	186
SIL2-NI	ECO-168066	579.5	324.5	278	271	202
SIL2-RI	ECO-168066	599.5	344.5	289	281	219
SIL2-YI	ECO-168066	669.5	414.5	318	312	249

COUPLING DISC					
SAE	"AN"	"AM"	"AP"	"AR"	"V"
10	53.8	8	11	295.3	314.2

REL NO	REV	NO	REVISION	DWN	CKD	APVD	DATE
ECO-168066	E	1	PRODUCTION RELEASE	KDP	UKD	S. JOSHI	15FEB17
TABLE, UPDATED VALUES A,B,C & WEIGHT							

①-REMOVABLE COVER FOR ACCESS TO AVR  
 ②-REMOVABLE COVER FOR ACCESS TO MAIN TERMINALS  
 \*-FOR KNOCKOUT DETAILS REFER TERMINAL BOX DRAWING



UNLESS OTHERWISE SPECIFIED, ALL DIMENSIONS ARE IN MILLIMETERS		SIN TO -		DWN M. ATAHNI			CUMMINS GENERATOR TECHNOLOGIES										
DO NOT SCALE PRINT				CKD U. DAGWALE			I-BEARING ALTERNATOR SAE4 ADAPTER										
<table border="1"> <tr> <td>DIM</td> <td>TOLERANCE</td> </tr> <tr> <td>X ± 0.1</td> <td>0.00-4.99 +0.15/-0.08</td> </tr> <tr> <td>.X ± 0.1</td> <td>5.00-9.99 +0.20/-0.10</td> </tr> <tr> <td>Y ± 0.01</td> <td>10.00-17.49 +0.25/-0.13</td> </tr> <tr> <td>X ± 0.01</td> <td>17.50-24.99 +0.30/-0.13</td> </tr> </table>		DIM	TOLERANCE	X ± 0.1	0.00-4.99 +0.15/-0.08	.X ± 0.1	5.00-9.99 +0.20/-0.10	Y ± 0.01	10.00-17.49 +0.25/-0.13	X ± 0.01	17.50-24.99 +0.30/-0.13	DATE 01APR16		APVD S. JOSHI		SITE CODE	
DIM	TOLERANCE																
X ± 0.1	0.00-4.99 +0.15/-0.08																
.X ± 0.1	5.00-9.99 +0.20/-0.10																
Y ± 0.01	10.00-17.49 +0.25/-0.13																
X ± 0.01	17.50-24.99 +0.30/-0.13																
SCALE 1:2		FOR INTERPRETATION FIRST USED ON		PUN		DWG SIZE A1											
THIS DOCUMENT (AND THE INFORMATION SHOWN THEREON) IS CONFIDENTIAL AND PROPRIETARY AND SHALL NOT BE DISCLOSED TO OTHERS IN HARD COPY OR ELECTRONIC FORM, REPRODUCED BY ANY MEANS, OR USED FOR ANY PURPOSE WITHOUT WRITTEN CONSENT OF CUMMINS INC.		ASME Y14.5-2009		A055B131		CAD SHEET 1 of 1											