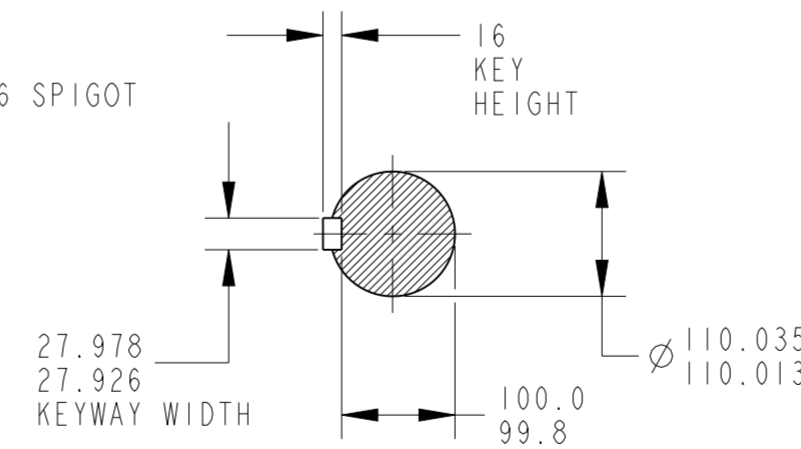
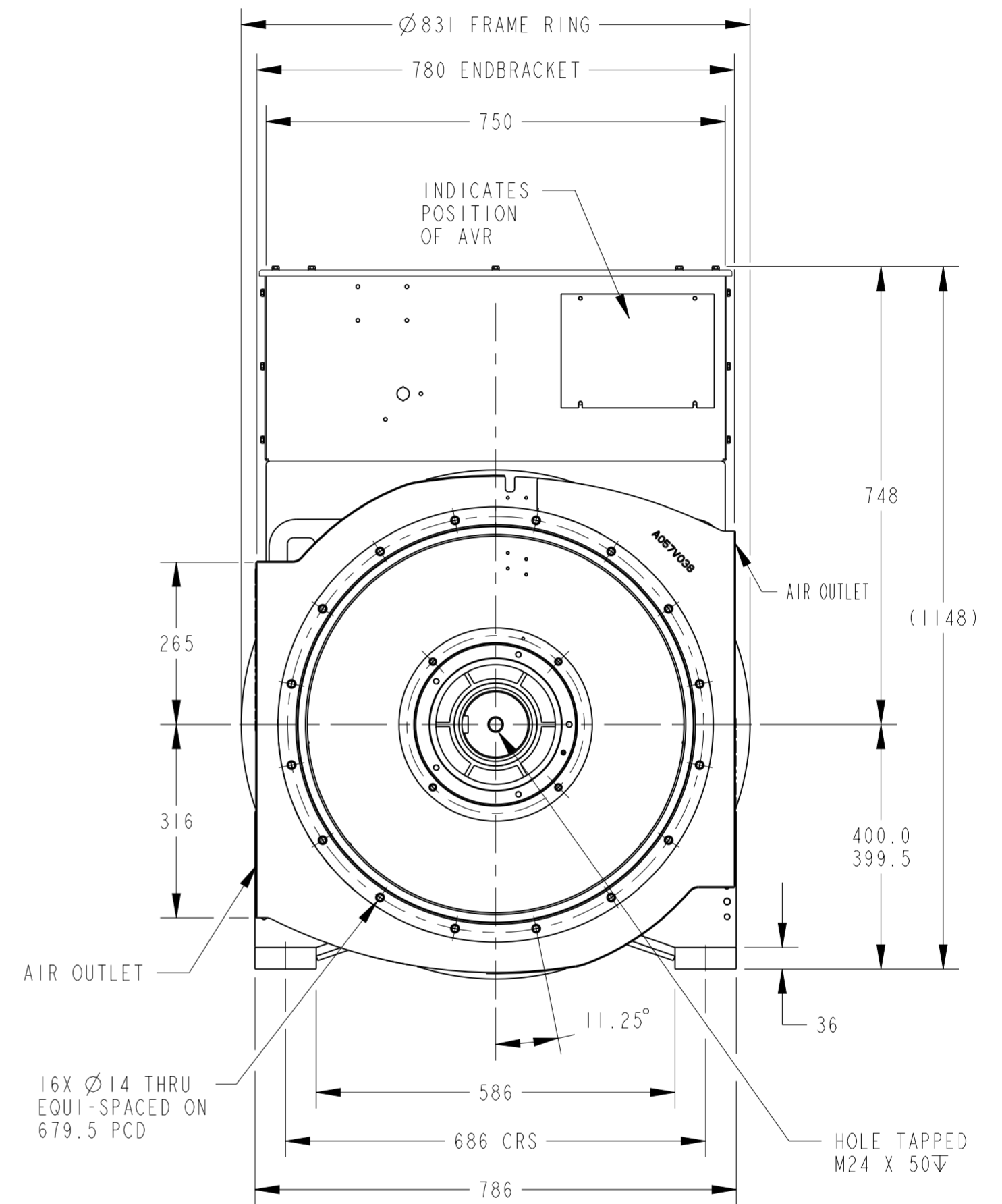
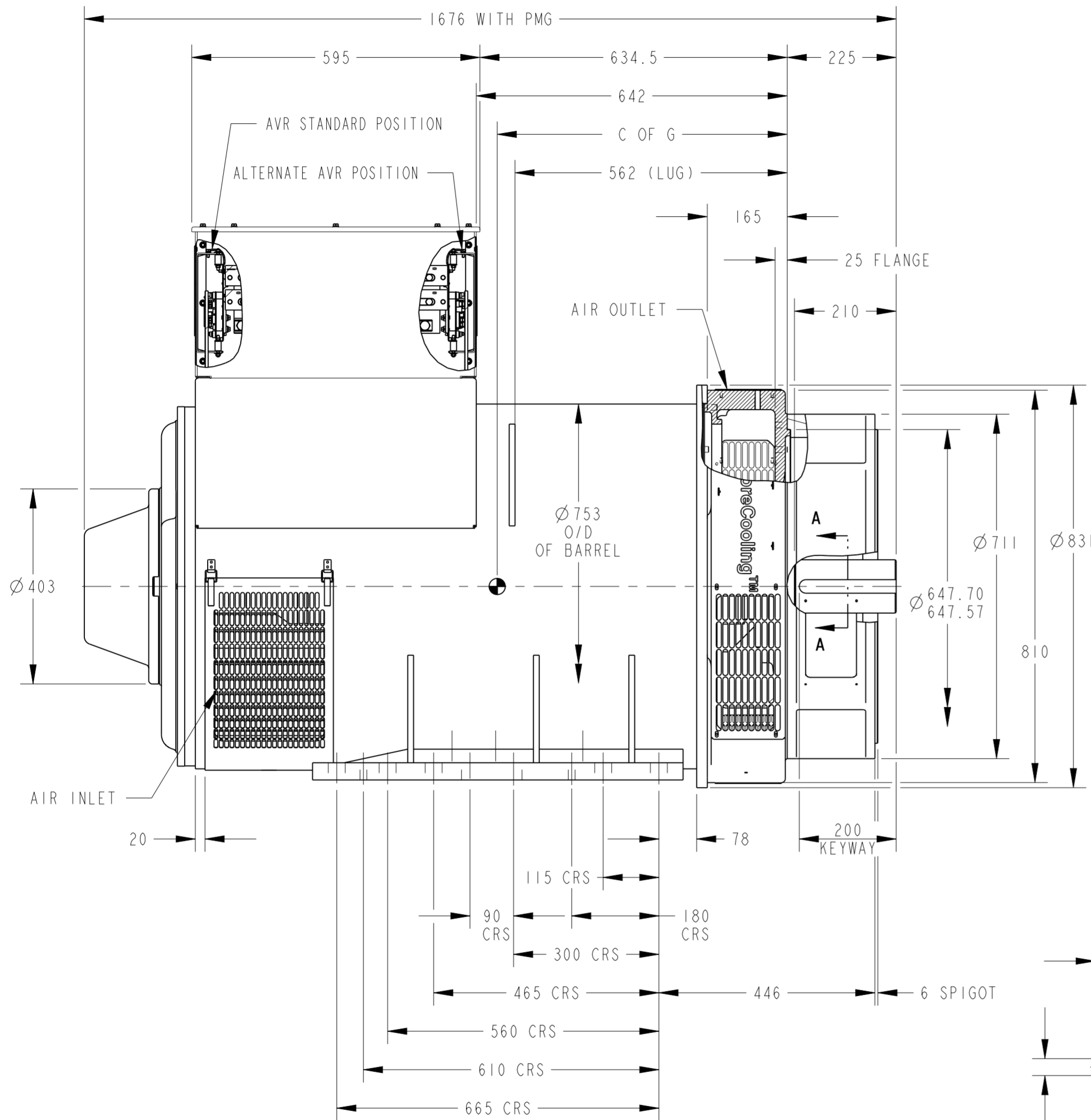
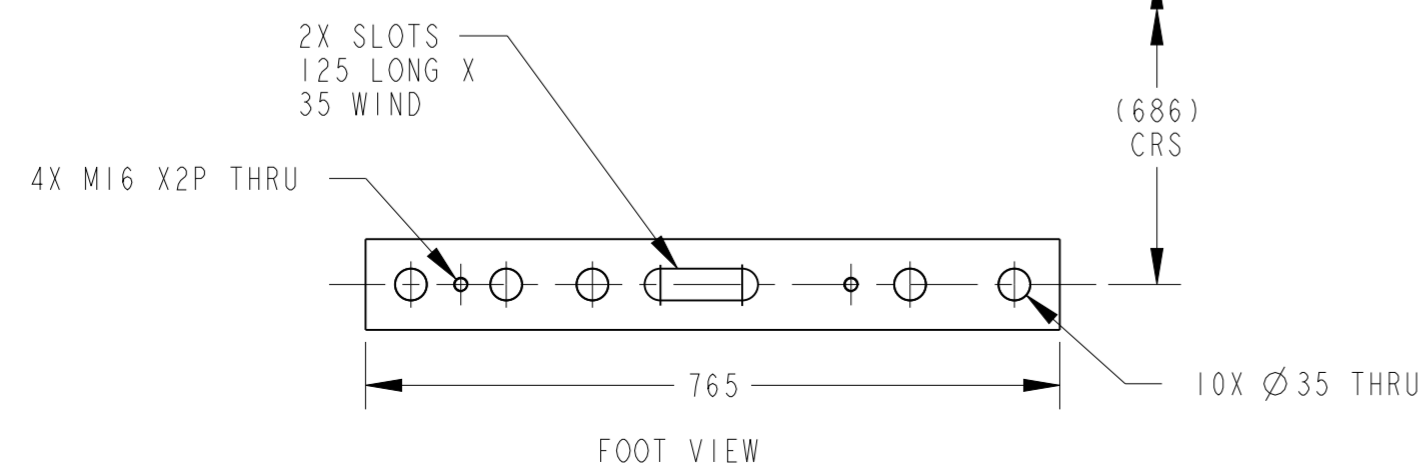


CORE	WEIGHT (KG)	C OF G
E	2102	563
F	2409	587

NOTE:
1. CUSTOMER MUST ENSURE THAT AIR INLET AND OUTLET POSITIONS ARE NOT OBSTRUCTED



DETAILS OF SHAFT EXTENSION SECTION A-A SCALE 0.150



DRAWING SPECIFICATION DESCRIPTION
S6LID-E/F, 2B, SAE 0, STD BOX, 400CH

Cummins Inc.

CAD SYSTEM
PTC® Creo® Schematic

SIZE: A2

