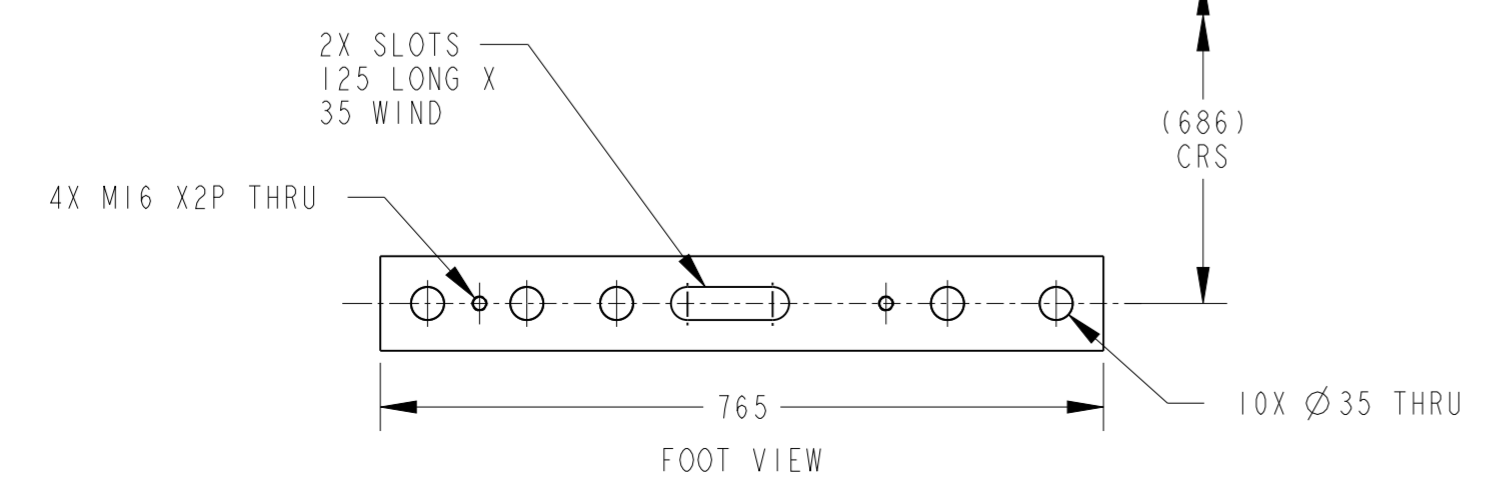
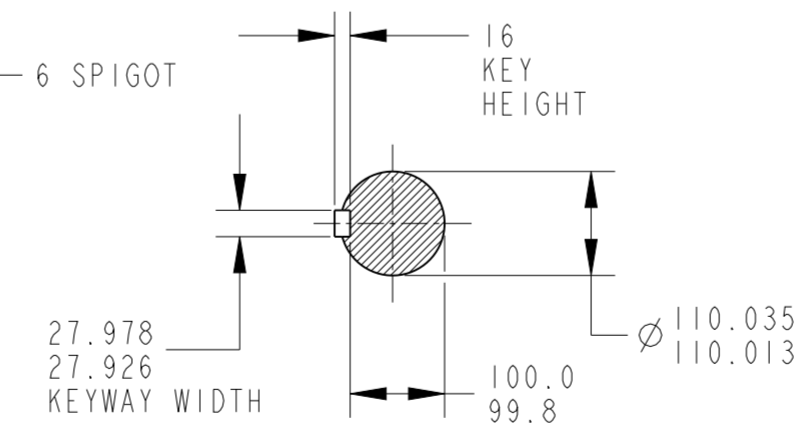
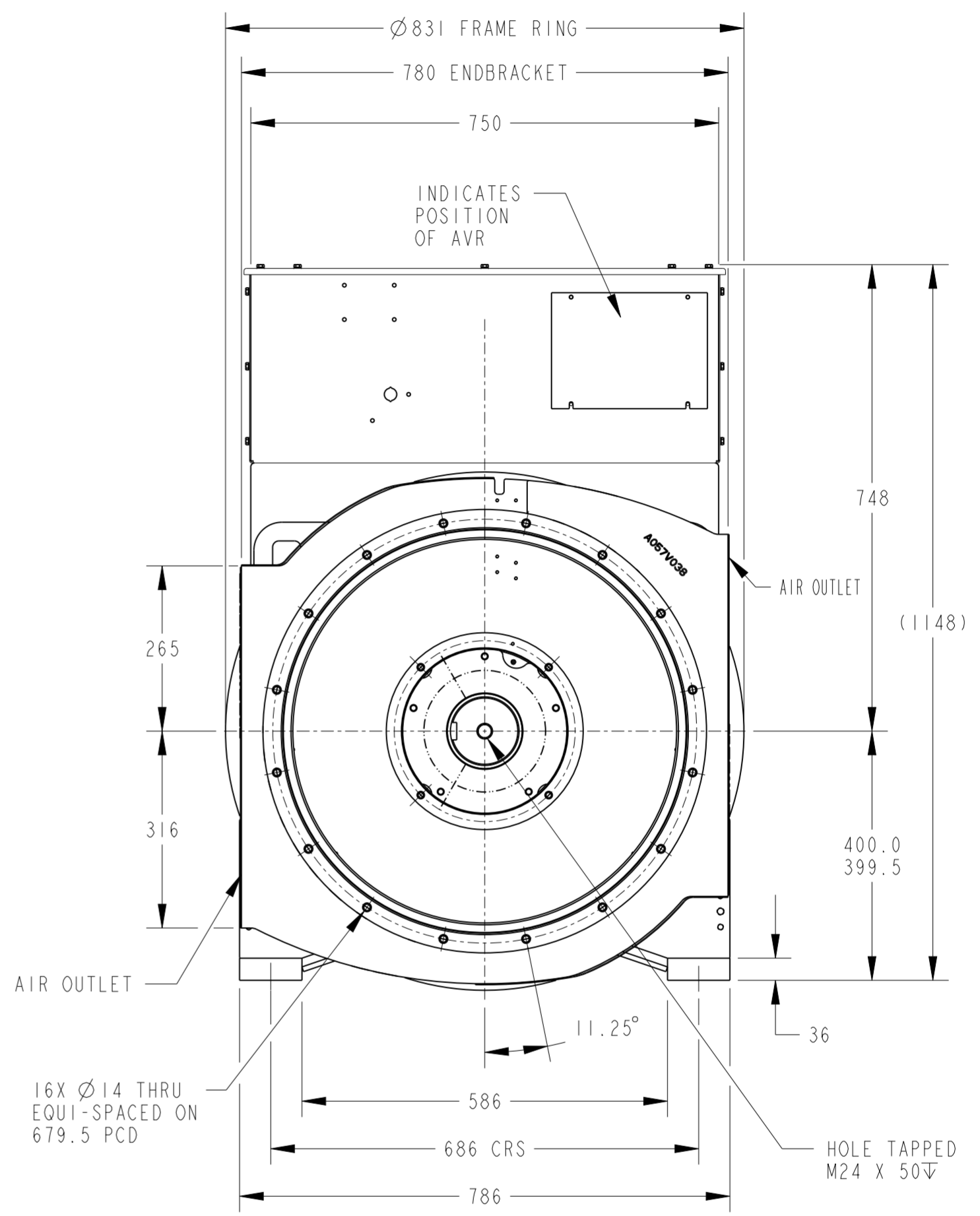
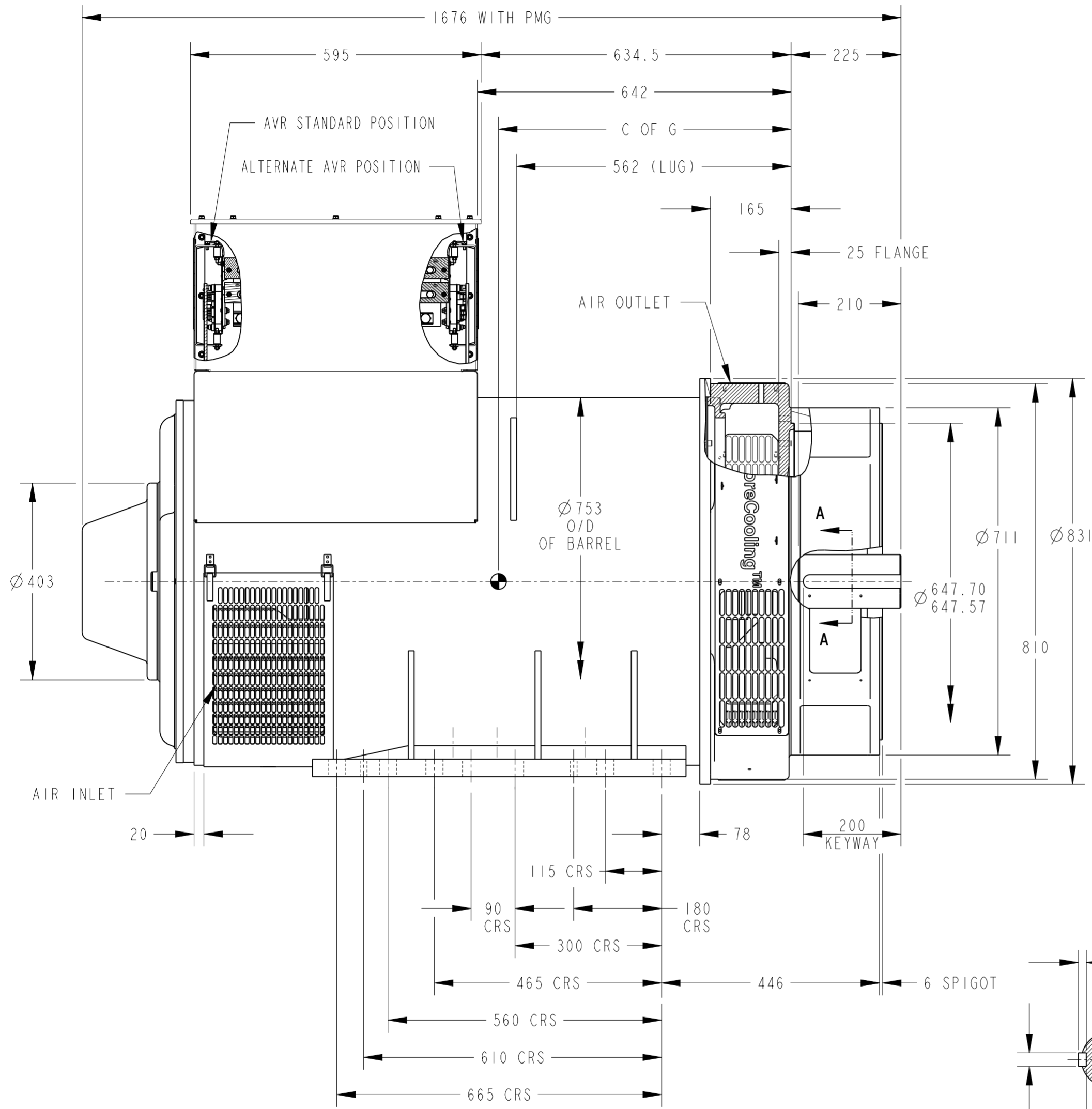


CORE	WEIGHT(KG)	C OF G
E	2102	563
F	2409	587

NOTE:
1. CUSTOMER MUST ENSURE THAT AIR INLET AND OUTLET POSITIONS ARE NOT OBSTRUCTED



PART NUMBER: A058G277	PART REVISION: E
PART NAME: ARRANGEMENT, GENERATOR GENERAL	
DRAWING CATEGORY: OUTLINE (TABULATION)	
STATE: RELEASED	SHEET: 1 OF 2
CUMMINS DATA CLASSIFICATION: CUMMINS CONFIDENTIAL	
THIS DOCUMENT (AND THE INFORMATION SHOWN THEREON) IS CONFIDENTIAL AND PROPRIETARY AND SHALL NOT BE DISCLOSED TO OTHERS IN HARD COPY OR ELECTRONIC FORM, REPRODUCED BY ANY MEANS, OR USED FOR ANY PURPOSE WITHOUT WRITTEN CONSENT OF CUMMINS INC.	

Cummins Generator Technologies DIMENSIONS ARE IN: MILLIMETERS [] ARE IN: -		SIZE: A2 SCALE: 1:8	
THIRD ANGLE PROJECTION		CAD SYSTEM PTC® Creo® Parametric	

DRAWING SPECIFICATION DESCRIPTION
S6LID-E/F, 2B, SAE 0, STD BOX, 400CH

4

3

2

1



Part Number: A058G277

Change Notice	CN00208514	Alternates	
Manufacturer Part (MEP)	No	Usage	Production Only
Release Phase Code	Production (P)	Drawing Specification	Number: DSA058G277
External Regulations	No External Regulation		Revision: E

3D image provided when available for visual reference only.

Drawing Revision Information

Description of Change(s)

Note: Change information is provided for reference only and does not supersede the drawing's primary content.

- 1) ZONE E3: BEARING CARTRIDGE ROTATED COUNTERCLOCKWISE BY 90 DEGREES
- 2) ZONE E3: ADD BEARING CAP

ADMINISTRATIVE CHANGE(S) TO PART ATTRIBUTES, BILL OF MATERIAL, OR ASSOCIATED SPECIFICATIONS.

Drawing Authorization

Drafter	Yuanhao Tao	Date	28NOV2025
Checker	Zhiyong Tang	Date	28NOV2025
Approver	NO APPROVAL REQUIRED	Date	

Cummins Data Classification: **Cummins Confidential** This document (and the information shown thereon) is **Confidential and Proprietary** and shall not be disclosed to others in hard copy or electronic form, reproduced by any means, or used for any purpose without written consent of Cummins Inc.

Part Number: **A058G277** Part Revision: **E**
 Part Name: **ARRANGEMENT,GENERATOR GENERAL**
 Drawing Category: **Outline (Tabulation)** State: **Released** Sheet 2 of 2

4

3

2

1