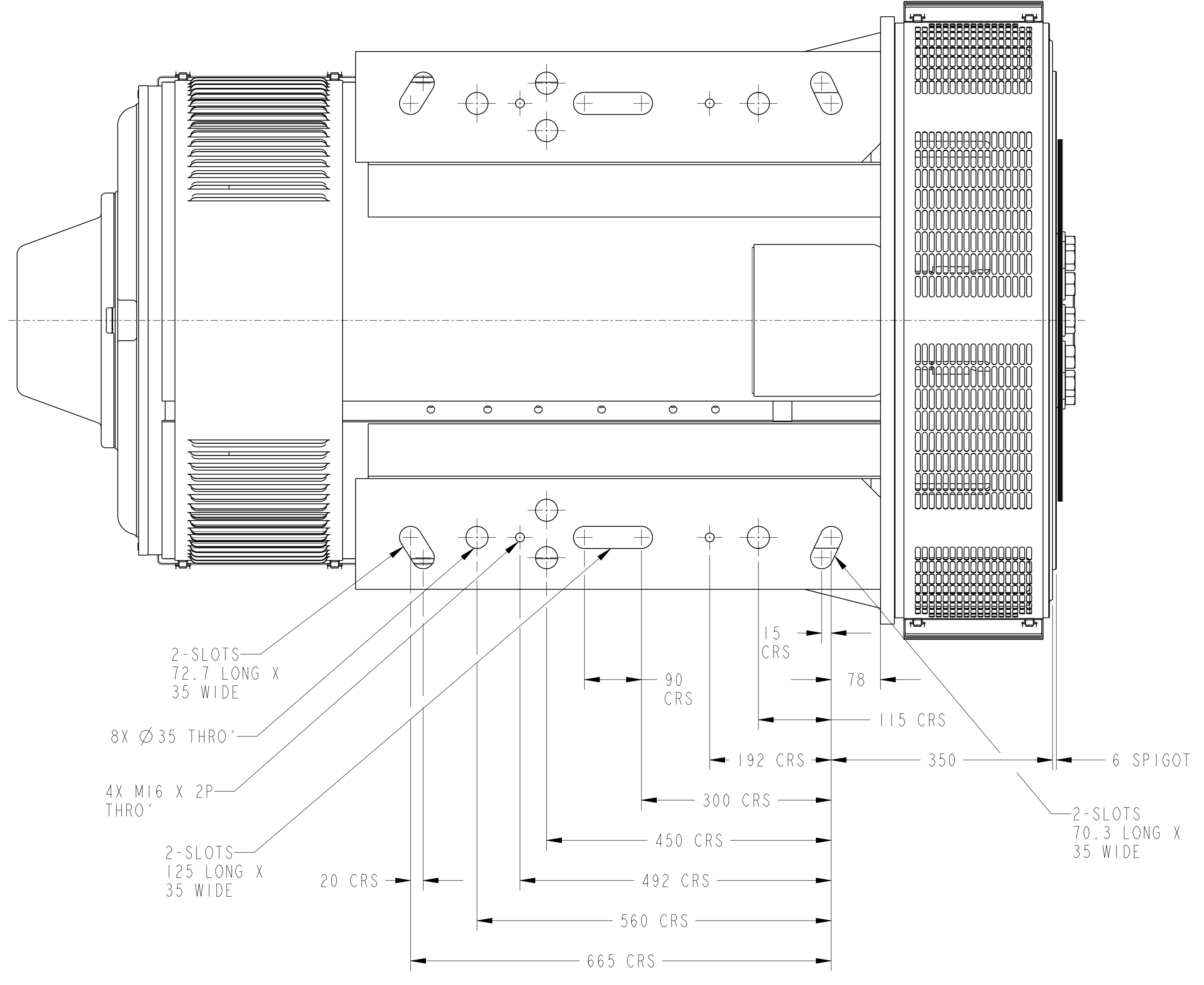
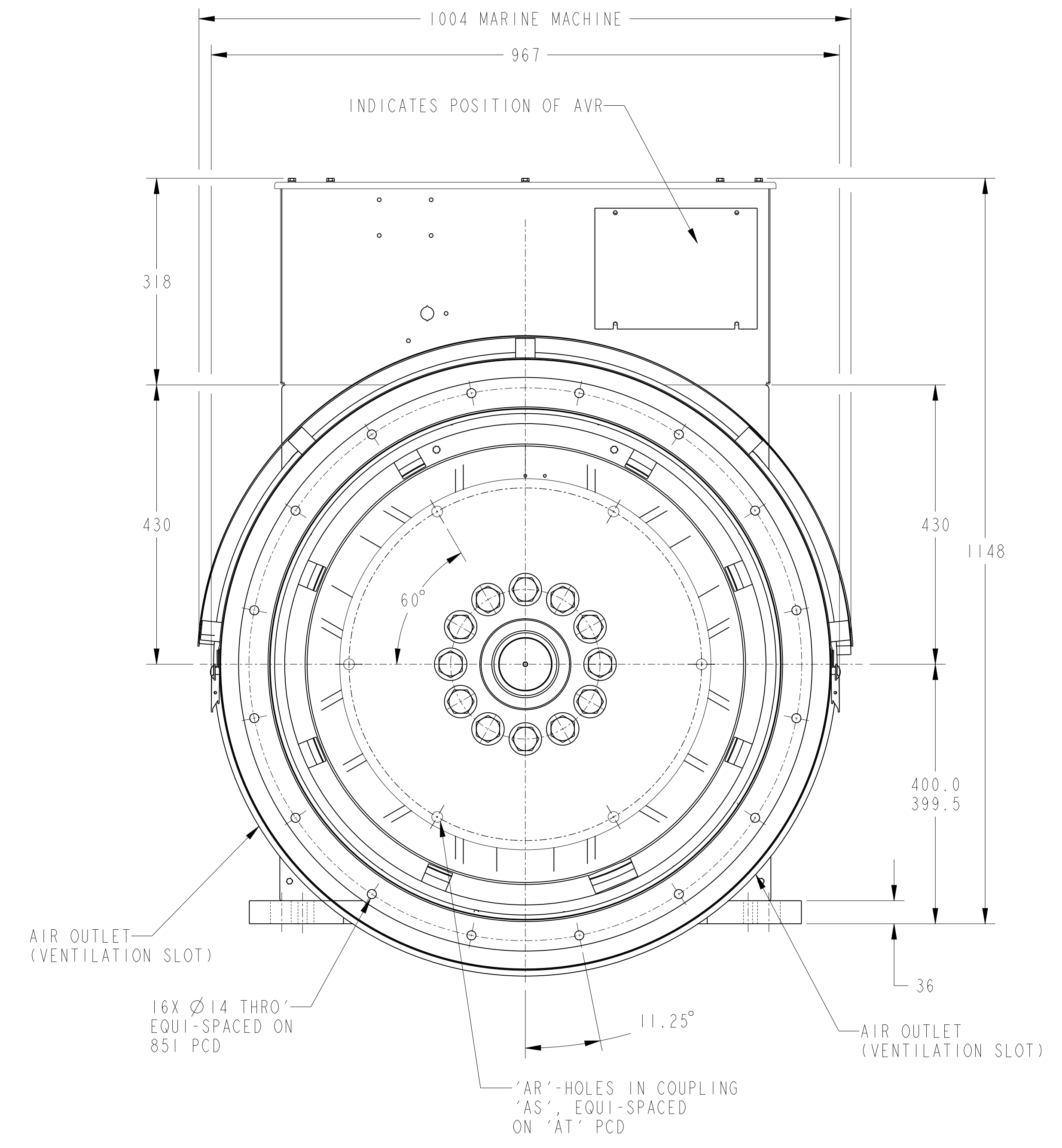
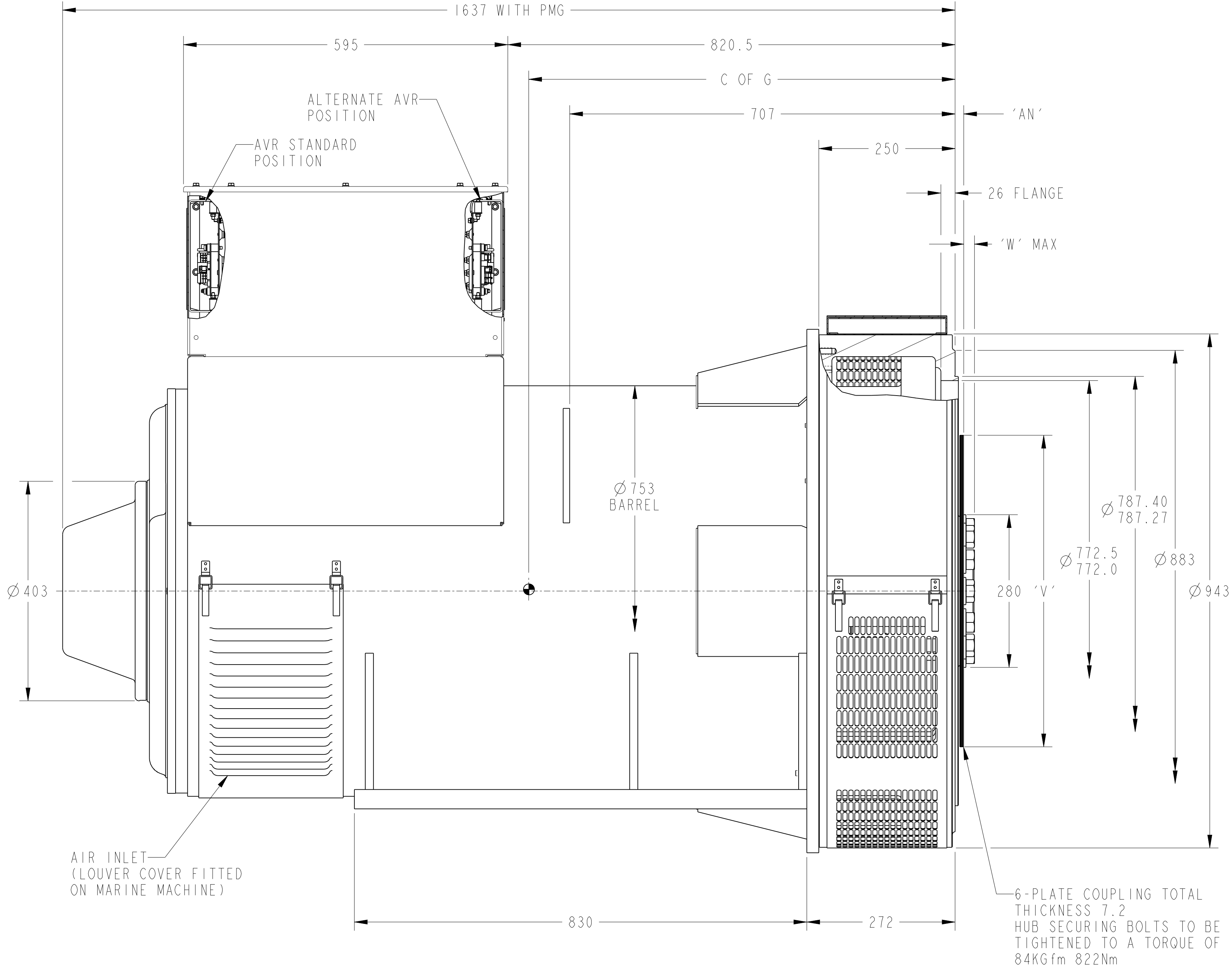
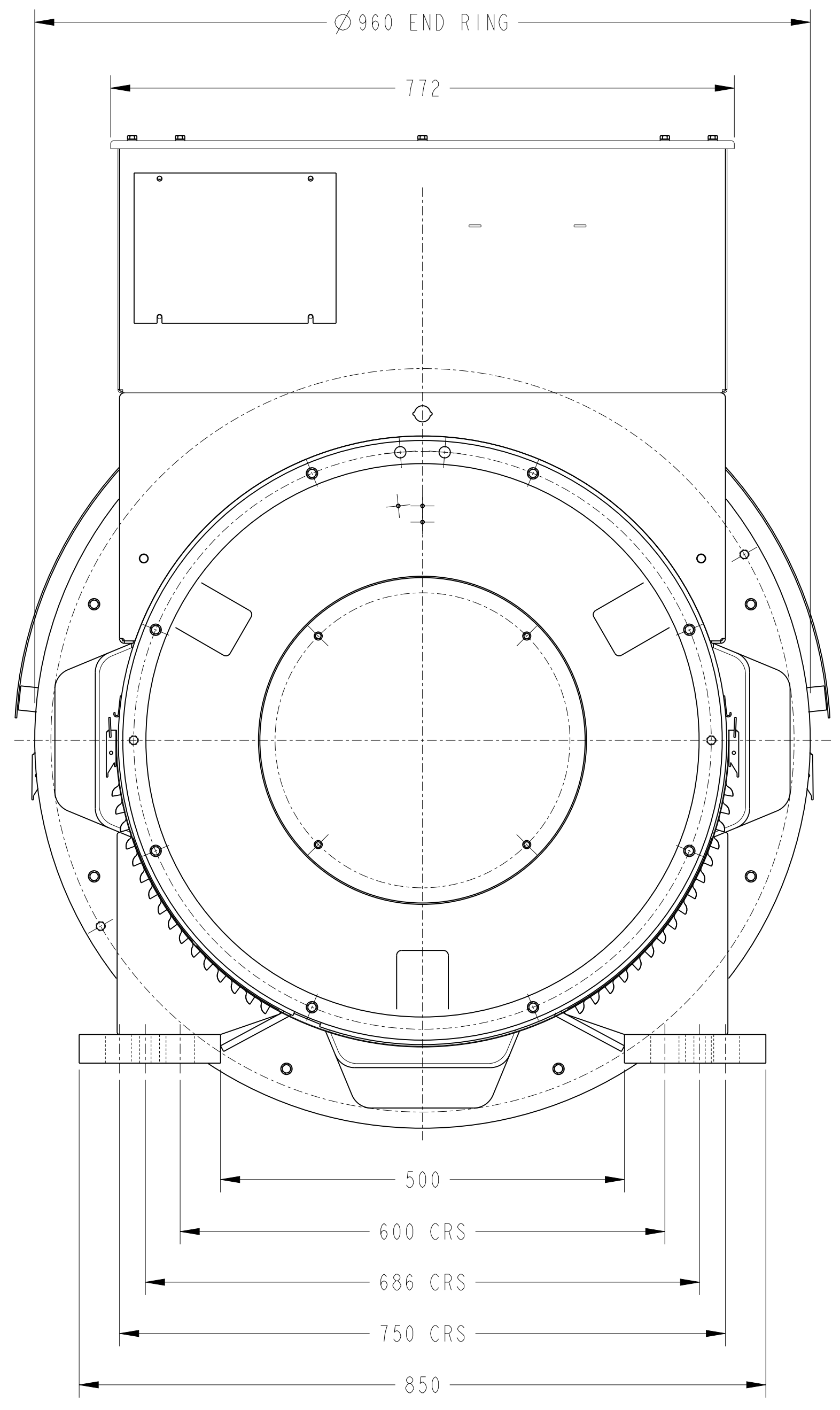


24	23	22
CORE H	WEIGHT (KG) 2836	C OF G 729

DISC COUPLINGS							
SAE NO.	AN	AR	AS	AT	V	W	
18	15.87	6	∅16.7	543	∅571.45	25	
21	0	12	∅16.7	641.3	∅673.05	35	
24	0	12	∅20.7	692	∅733.375	20	

NOTE:
 1. CUSTOMER MUST ENSURE THAT AIR INLET AND OUTLET POSITIONS ARE NOT OBSTRUCTED
 2. VENTILATION SLOTS NOT REQUIRED ON SOME REDUCED LOAD APPLICATIONS



PART NUMBER: A059X856
 PART REVISION: B
 PART NAME: ARRANGEMENT.GENERATOR GENERAL
 DRAWING CATEGORY: OUTLINE
 STATE: RELEASED
 SHEET: 1 OF 2
 CUMMINS DATA CLASSIFICATION: CUMMINS CONFIDENTIAL
 THIS DOCUMENT (AND THE INFORMATION SHOWN THEREON) IS CONFIDENTIAL AND PROPRIETARY AND SHALL NOT BE DISCLOSED TO OTHERS IN HARD COPY OR ELECTRONIC FORM, REPRODUCED BY ANY MEANS, OR USED FOR ANY PURPOSE WITHOUT WRITTEN CONSENT OF CUMMINS INC.

DRAWING SPECIFICATION DESCRIPTION
 S6LIM-H, 1B SAE00-18/21/24, STD BOX, (MARINE)
Cummins Generator Technologies
 DIMENSIONS ARE IN: MILLIMETERS
 SIZE: A0 SCALE: 0.200
 DIMENSIONING AND TOLERANCING PER: Y14.5-2009
 THIRD ANGLE PROJECTION
 CAD SYSTEM
 PTC® Creo® Parametric

4

3

2

1



Part Number: A059X856

Change Notice	CN00218064	Alternates	
Manufacturer Part (MEP)	No	Usage	Production Only
Release Phase Code	Production (P)	Drawing Specification	Number: DSA059X856
External Regulations	No External Regulation		Revision: B

3D image provided when available for visual reference only.

Drawing Revision Information

Description of Change(s) Note: Change information is provided for reference only and does not supersede the drawing's primary content.
DRAWING - BORDER UPDATED TO LATEST REVISION
PART - UPDATED ATTRIBUTES

Drawing Authorization

Drafter	Andrew K Cooper	Date	12MAR2026
Checker	NO REVIEW REQUIRED	Date	
Approver	Tony C Clarke	Date	18MAR2026

Cummins Data Classification: **Cummins Confidential** This document (and the information shown thereon) is **Confidential and Proprietary** and shall not be disclosed to others in hard copy or electronic form, reproduced by any means, or used for any purpose without written consent of Cummins Inc.

Part Number: **A059X856** Part Revision: **B**
 Part Name: **ARRANGEMENT,GENERATOR GENERAL**
 Drawing Category: **Outline** State: **Released** Sheet 2 of 2

4

3

2

1