


Document Generated: 29JUN2020 12:32 GMT

Cummins Data Classification: **Cummins Confidential**

This document (and the information shown thereon) is **Confidential and Proprietary** and shall not be disclosed to others in hard copy or electronic form, reproduced by any means, or used for any purpose without written consent of Cummins Inc.

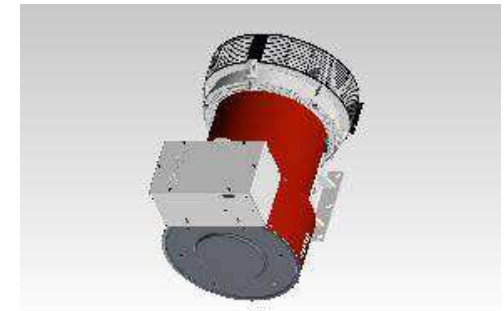
Part Number: **A065J666** Part Revision: **A**
 Part Name: **ARRANGEMENT, GENERATOR GENERAL**
 Drawing Category: **Outline** State: **Released** Sheet 1 of 2

Cummins Generator Technologies		 CAD SYSTEM PTC® Creo® Parametric
DIMENSIONS ARE IN: *** () ARE IN: ***	SIZE: A0 SCALE: 1:1	
DRAWING SPECIFICATION DESCRIPTION ARRANGEMENT, GENERATOR GENERAL		DIMENSIONING AND TOLERANCING PER: *** THIRD ANGLE PROJECTION



Part Number: A065J666

Change Notice	CN00020735	Alternates	
Manufacturer Part (MEP)	No	Usage	Production Only
Release Phase Code	Production (P)	Drawing Specification	DS47046777
External Regulations	No External Regulation		



3D image provided when available for visual reference only.

Associated Specifications

Number	Name	Type	Category	Sub-Category
ESA030B356	SPECIFICATION,MATERIAL	Engineering Specification	Material Specification	Prohibited and Restricted Prohibited and Restricted

Drawing Revision Information

Description of Change(s)
PRODUCTION RELEASE

Drawing Authorization

Drafter	Pratik Vijay Patil	Date	29JUN2020
Checker	Rahul Hanabar	Date	29JUN2020
Approver	NO APPROVAL REQUIRED	Date	

Document Generated: 29JUN2020 12:32 GMT