

Document Generated: 29JAN2024 08:43 GMT

Cummins Data Classification:  
Cummins Confidential

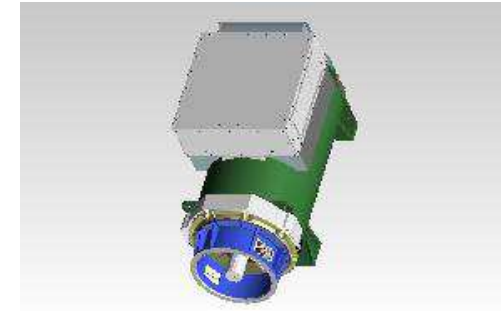
This document (and the information shown thereon) is Confidential and Proprietary and shall not be disclosed to others in hard copy or electronic form, reproduced by any means, or used for any purpose without written consent of Cummins Inc.

Part Number: **A067Z500** Part Revision: **C**  
 Part Name: **ARRANGEMENT, GENERATOR GENERAL**  
 Drawing Category: **Outline State: Released** Sheet 1 of 2



**Part Number: A067Z500**

Change Notice	CN00123684	Alternates	
Manufacturer Part (MEP)	No	Usage	Production Only
Release Phase Code	Production (P)	Drawing Specification	Number: DS47092704
External Regulations	No External Regulation		Revision: C



3D image provided when available for visual reference only.

**Drawing Revision Information**

**Description of Change(s)**

Note: Change information is provided for reference only and does not supersede the drawing's primary content.

PRODUCTION RELEASE

**Drawing Authorization**

Drafter	Jordan Randall	Date	24JAN2024
Checker	Sneha Pundlikrao Bondlewad	Date	29JAN2024
Approver	Matthew Hammond	Date	29JAN2024

Document Generated: 29JAN2024 08:43 GMT