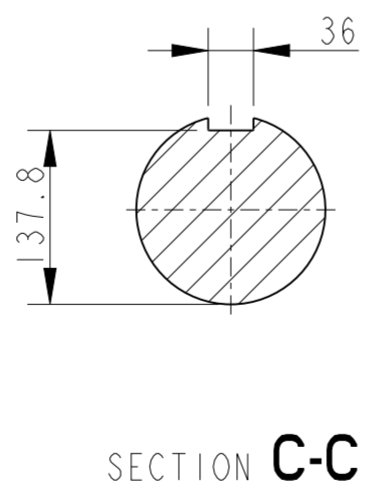
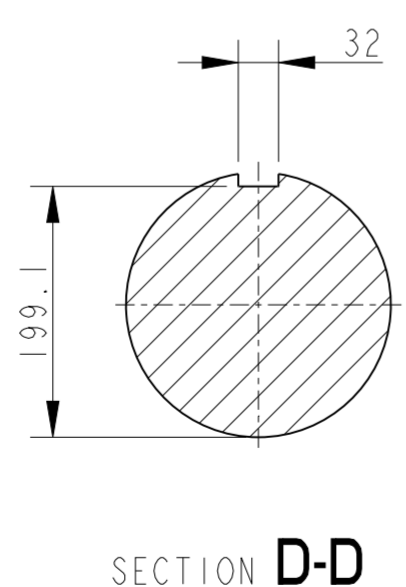
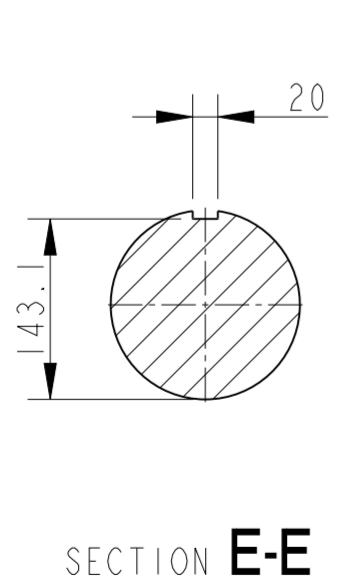
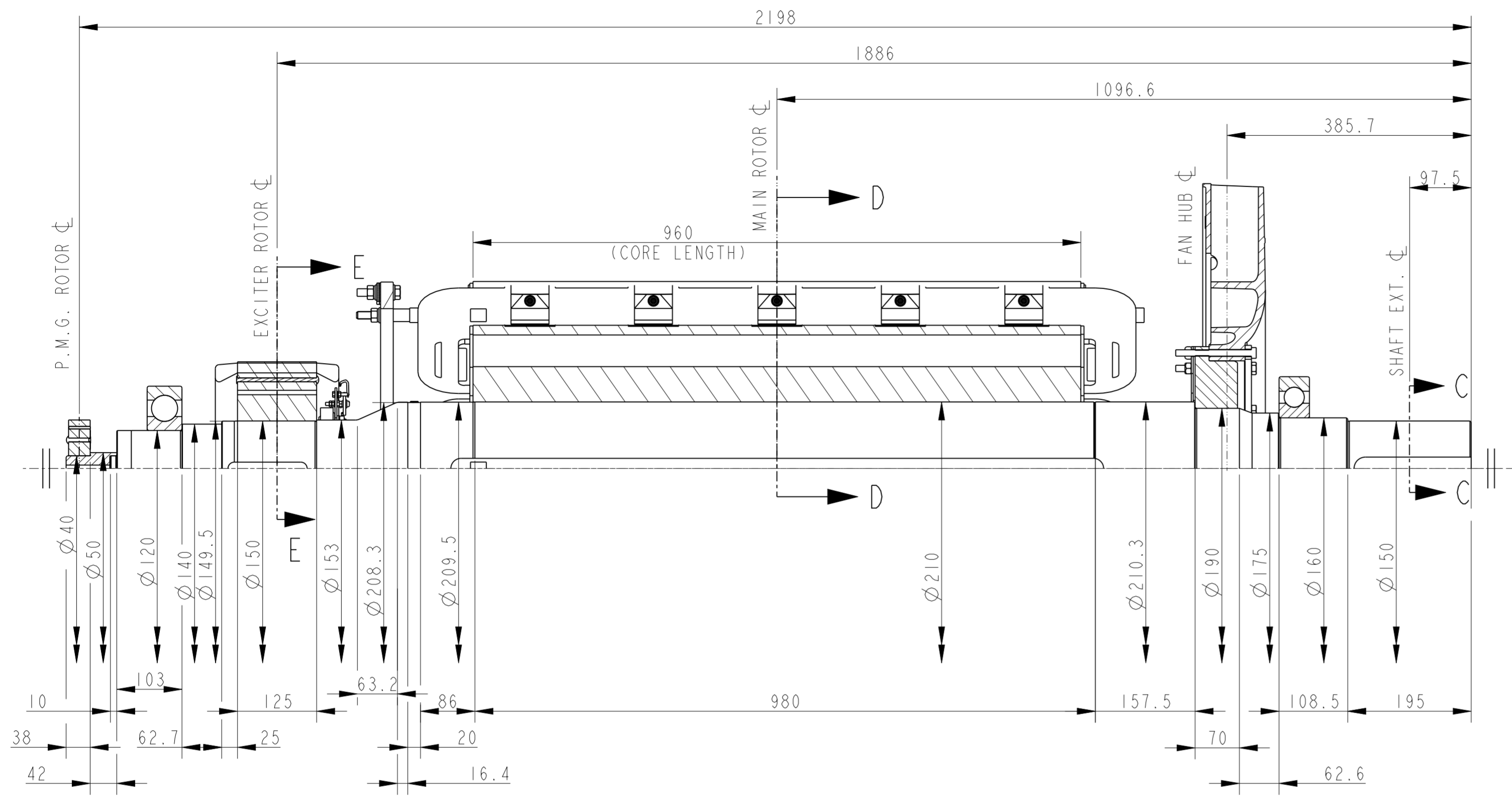


- NOTES:
- SHAFT STIFFNESS: THE STIFFNESS OF THE SHAFT BETWEEN THE MAIN ROTOR CORE ϕ AND THE SHAFT EXTENSION ϕ IS 96.31×10^6 kgcm/radian (STIFFENING EFFECT OF MAIN ROTOR CORE IS NOT INCLUDED IN THIS FIGURE)
 - SHAFT PROPERTIES:
 MINIMUM YIELD: 260×10^6 N/m²
 MINIMUM TENSILE : 530×10^6 N/m²
 SHAFT MATERIAL IS APPROVED BY MARINE AUTHORITIES WHEN APPROPRIATE
 - MAXIMUM RECOMMENDED VIBRATORY STRESS LEVEL IN THE SHAFT IS 34.47×10^6 N/m² FOR SPEED RANGE OF 0.95 TO 1.1 x NOMINAL SPEED, AND 68.94×10^6 N/m² FOR RUN THROUGH CONDITIONS, FOR INDUSTRIAL MACHINES. FOR MARINE AUTHORITIES, THEIR APPROPRIATE RULES WILL APPLY. CUMMINS GENERATOR TECHNOLOGIES LTD SHOULD BE NOTIFIED OF ANY ROTORS NOT COMPLYING WITH THESE RULES
 - CUMMINS GENERATOR TECHNOLOGIES LTD BALANCE ROTORS TO COMPLY WITH INTERNATIONAL STD ISO 1940 GRADE 2.5 AND BS 6861 PART 1 GRADE 2.5
 - FOR UNBALANCED MAGNETIC PULL (U.M.P.) FORCES PLEASE CONTACT CUMMINS GENERATOR TECHNOLOGIES LTD



CONVERSION FACTORS		
TO CONVERT	TO	DIVIDE BY
kg	lb	0.453592
kgm ²	lbf ft ²	0.04214
kgcm/rad	lb in/rad	1.1521246
N/m ²	ibf/in ²	6894.76

COMPONENT	WT (kg)	WR ² kgm ²
EXCITER ROTOR	63.000	1.0720
MAIN ROTOR	1585.314	77.9677
FAN	37.270	4.0490
FAN HUB	28.800	0.6088
SHAFT	470.770	2.2851
PMG ROTOR	6.970	0.0190
STUB SHAFT	0.929	0.0003
TOTAL	2193.053	86.0019

PART NUMBER: A074X803 PART REVISION: C
 PART NAME: ARRANGEMENT, GENERATOR ROTOR TORSIONAL
 DRAWING CATEGORY: OUTLINE
 STATE: RELEASED SHEET: 1 OF 2
 CUMMINS DATA CLASSIFICATION: CUMMINS CONFIDENTIAL
 THIS DOCUMENT (AND THE INFORMATION SHOWN THEREON) IS CONFIDENTIAL AND PROPRIETARY AND SHALL NOT BE DISCLOSED TO OTHERS IN HARD COPY OR ELECTRONIC FORM, REPRODUCED BY ANY MEANS, OR USED FOR ANY PURPOSE WITHOUT WRITTEN CONSENT OF CUMMINS INC.

DRAWING SPECIFICATION DESCRIPTION
 A7-K, 2-BRG, 6-POLE

Cummins Generator Technologies

DIMENSIONS ARE IN: MILLIMETERS
 [] ARE IN: -

SIZE: **A2** SCALE: 1:6

DIMENSIONING AND TOLERANCING PER:
 ASME Y14.5-2009

THIRD ANGLE PROJECTION

CAD SYSTEM
 PTC® Creo® Parametric

4

3

2

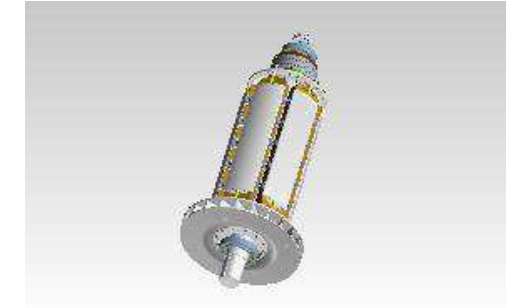
1

D



Part Number: A074X803

Change Notice	CN00173005	Alternates	
Manufacturer Part (MEP)	No	Usage	Production Only
Release Phase Code	Production (P)	Drawing Specification	Number: DS47145493
External Regulations	No External Regulation		Revision: C



3D image provided when available for visual reference only.

C

Drawing Revision Information

Description of Change(s) Note: Change information is provided for reference only and does not supersede the drawing's primary content.
1. ZONE A-7/8/9 : A7-K WAS S7K 2. ZONE E/F/G/H-1/2/3/4 : UPDATE NOTES 3. ZONE G-4/5 : ADD DIM 97.5
ADMINISTRATIVE CHANGE(S) TO PART ATTRIBUTES, BILL OF MATERIAL, OR ASSOCIATED SPECIFICATIONS.

B

Drawing Authorization

Drafter	Aishwarya Rajaram Shelar	Date	13MAR2025
Checker	Sneha Pundlikrao Bondlewad	Date	14MAR2025
Approver	Alin Dumitru Visian	Date	19MAR2025

A

Cummins Data Classification: **Cummins Confidential** This document (and the information shown thereon) is **Confidential and Proprietary** and shall not be disclosed to others in hard copy or electronic form, reproduced by any means, or used for any purpose without written consent of Cummins Inc.

Part Number: **A074X803** Part Revision: **C**
 Part Name: **ARRANGEMENT,GENERATOR ROTOR TORSIONAL**
 Drawing Category: **Outline** State: **Released** Sheet 2 of 2

4

3

2

1