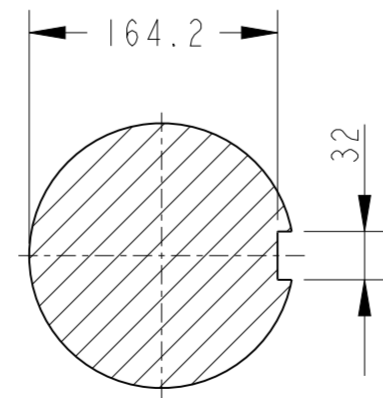
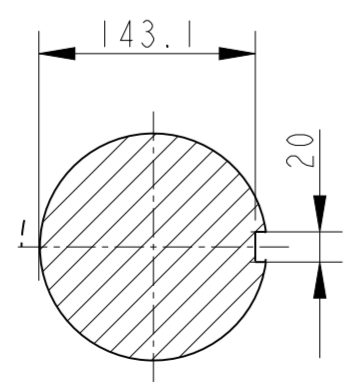
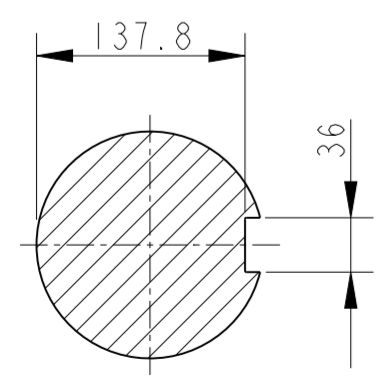
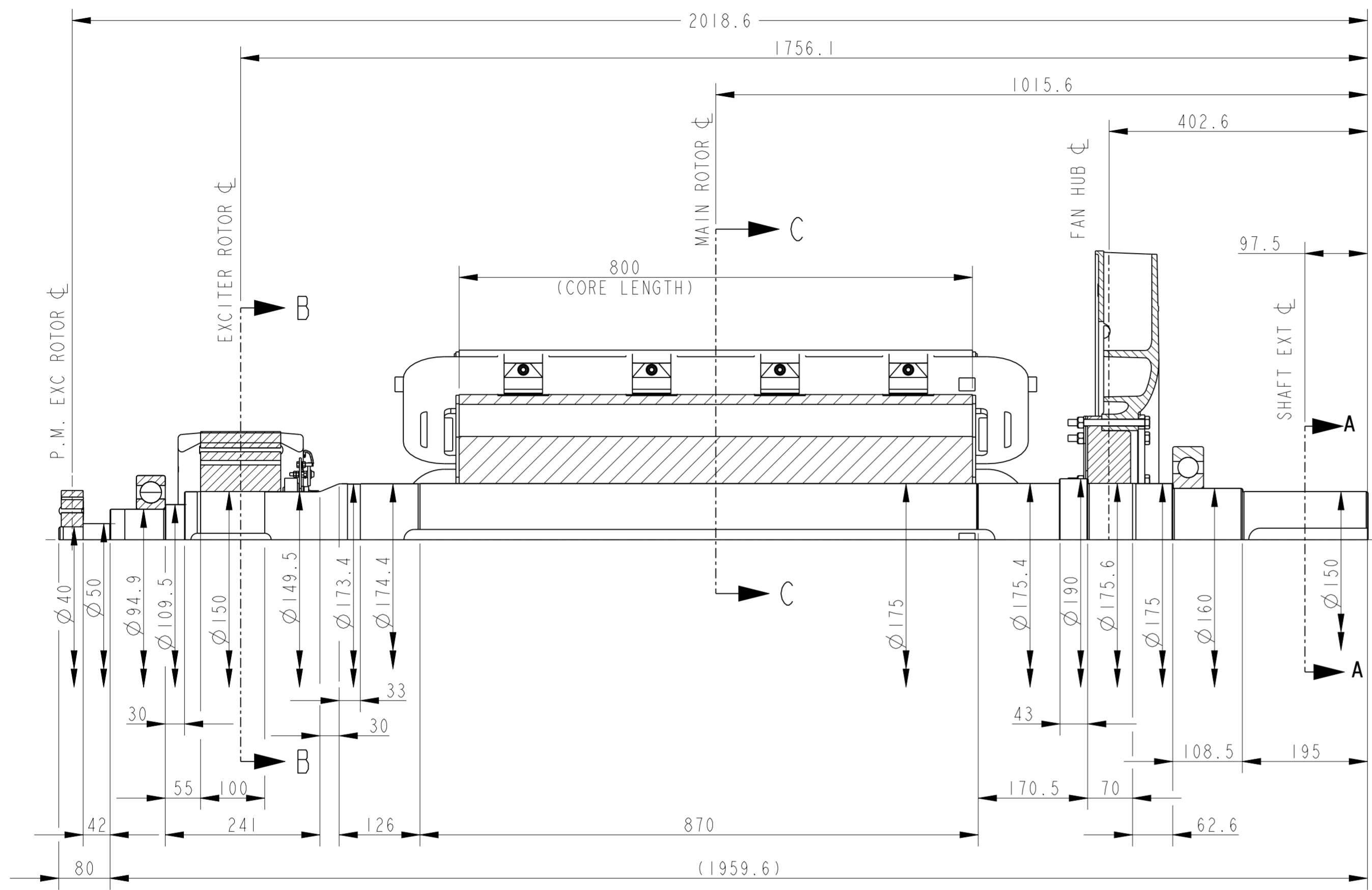


- NOTES:
1. SHAFT STIFFNESS:
THE STIFFNESS OF THE SHAFT BETWEEN THE MAIN ROTOR CORE ϕ AND THE SHAFT EXTENSION IS 71.45×10^6 kgcm/radian (STIFFENING EFFECT OF MAIN ROTOR CORE IS NOT INCLUDED IN THIS FIGURE)
 2. SHAFT PROPERTIES:
MINIMUM YIELD : 260×10^6 N/m²
MINIMUM ULTIMATE TENSILE STRENGTH : 530×10^6 N/m²
SHAFT MATERIAL IS APPROVED BY MARINE AUTHORITIES WHEN APPROPRIATE
 3. MAXIMUM RECOMMENDED VIBRATORY STRESS LEVEL IN THE SHAFT IS
 34.47×10^6 N/M² FOR SPEED RANGE OF 0.95 TO 1.1 \times NOMINAL SPEED AND
 68.94×10^6 N/M² FOR RUN THROUGH CONDITIONS, FOR INDUSTRIAL MACHINES. FOR MARINE AUTHORITIES, THEIR APPROPRIATE RULES WILL APPLY CUMMINS GENERATOR TECHNOLOGIES LTD SHOULD BE NOTIFIED OF ANY ROTORS NOT COMPLYING WITH THESE RULES
 4. CUMMINS GENERATOR TECHNOLOGIES LTD BALANCE ROTORS TO COMPLY WITH INTERNATIONAL STD ISO 1940 GRADE 2.5 AND BS 6861 PART 1 GRADE 2.5
 5. FOR UNBALANCED MAGNETIC PULL (U.M.P.) FORCES PLEASE CONTACT CUMMINS GENERATOR TECHNOLOGIES LTD



CONVERSION FACTORS		
TO CONVERT	TO	DEVIDE BY
Kg	lb	0.453592
Kgm ²	lb ft ²	0.04214
Kgcm/rad	lb in/rad	1.1521246
N/M ²	ibf/in ²	6894.76

COMPONENT	WT (Kg)	WR ² Kgm ²
EXCITER ROTOR	63.000	1.0720
MAIN ROTOR	1398.067	66.1591
FAN	37.270	4.0490
FAN HUB	39.220	0.7790
SHAFT	328.083	1.1643
P.MAG ROTOR	6.970	0.0190
STUB SHAFT	0.929	0.0003
TOTAL	1873.539	73.2427

PART NUMBER: A075T611 PART REVISION: C
 PART NAME: ARRANGEMENT, GENERATOR ROTOR TORSIONAL
 DRAWING CATEGORY: OUTLINE
 STATE: RELEASED SHEET: 1 OF 2
 CUMMINS DATA CLASSIFICATION: CUMMINS CONFIDENTIAL
 THIS DOCUMENT (AND THE INFORMATION SHOWN THEREON) IS CONFIDENTIAL AND PROPRIETARY AND SHALL NOT BE DISCLOSED TO OTHERS IN HARD COPY OR ELECTRONIC FORM, REPRODUCED BY ANY MEANS, OR USED FOR ANY PURPOSE WITHOUT WRITTEN CONSENT OF CUMMINS INC.

Cummins Generator Technologies



DIMENSIONS ARE IN: MILLIMETERS
 [] ARE IN: -
 DIMENSIONING AND TOLERANCING PER:
 ASME Y14.5-2009
 SIZE: A2 SCALE: 1:5
 THIRD ANGLE PROJECTION
 CAD SYSTEM
 PTC® Creo® Parametric

DRAWING SPECIFICATION DESCRIPTION
 A7-J, 2-BRG, 6-POLE

4

3

2

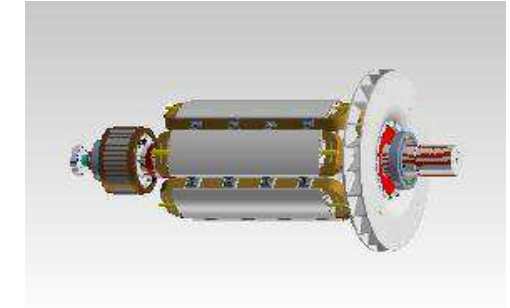
1

D



Part Number: A075T611

Change Notice	CN00173005	Alternates	
Manufacturer Part (MEP)	No	Usage	Production Only
Release Phase Code	Production (P)	Drawing Specification	Number: DS47145495
External Regulations	No External Regulation		Revision: C



3D image provided when available for visual reference only.

C

Drawing Revision Information

Description of Change(s) Note: Change information is provided for reference only and does not supersede the drawing's primary content.
1. ZONE A-7/8/9 : A7-J WAS S7J 2. ZONE E/F/G/H-1/2/3/4 : UPDATE NOTES
ADMINISTRATIVE CHANGE(S) TO PART ATTRIBUTES, BILL OF MATERIAL, OR ASSOCIATED SPECIFICATIONS.

Drawing Authorization

Drafter	Aishwarya Rajaram Shelar	Date	13MAR2025
Checker	Sneha Pundlikrao Bondlewad	Date	14MAR2025
Approver	Alin Dumitru Visian	Date	19MAR2025

B

A

Cummins Data Classification: **Cummins Confidential** This document (and the information shown thereon) is **Confidential and Proprietary** and shall not be disclosed to others in hard copy or electronic form, reproduced by any means, or used for any purpose without written consent of Cummins Inc.

Part Number: **A075T611** Part Revision: **C**
 Part Name: **ARRANGEMENT,GENERATOR ROTOR TORSIONAL**
 Drawing Category: **Outline** State: **Released** Sheet 2 of 2

4

3

2

1