



4

3

2

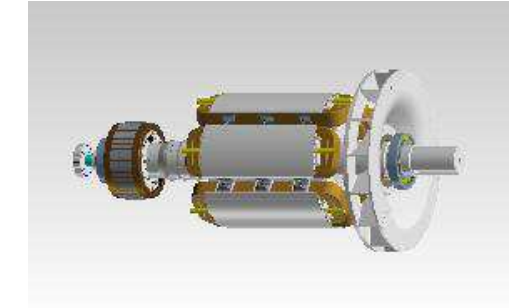
1

D



Part Number: A075T615

Change Notice	CN00173005	Alternates	
Manufacturer Part (MEP)	No	Usage	Production Only
Release Phase Code	Production (P)	Drawing Specification	Number: DS47145497
External Regulations	No External Regulation		Revision: C



3D image provided when available for visual reference only.

C

Drawing Revision Information

<b>Description of Change(s)</b> Note: Change information is provided for reference only and does not supersede the drawing's primary content.
1. ZONE A-7/8/9 : A7-D WAS S7D 2. ZONE E/F/G/H-1/2/3/4 : UPDATE NOTES
ADMINISTRATIVE CHANGE(S) TO PART ATTRIBUTES, BILL OF MATERIAL, OR ASSOCIATED SPECIFICATIONS.

Drawing Authorization

Drafter	Aishwarya Rajaram Shelar	Date	13MAR2025
Checker	Sneha Pundlikrao Bondlewad	Date	14MAR2025
Approver	Alin Dumitru Visian	Date	19MAR2025

B

A

Cummins Data Classification: **Cummins Confidential** This document (and the information shown thereon) is **Confidential and Proprietary** and shall not be disclosed to others in hard copy or electronic form, reproduced by any means, or used for any purpose without written consent of Cummins Inc.

Part Number: **A075T615** Part Revision: **C**  
 Part Name: **ARRANGEMENT,GENERATOR ROTOR TORSIONAL**  
 Drawing Category: **Outline** State: **Released** Sheet 2 of 2

4

3

2

1