

PART NUMBER: A076K058	PART REVISION: C	DRAWING SPECIFICATION DESCRIPTION
PART NAME: ARRANGEMENT.GENERATOR GENERAL		A7-K, 6P, 2B, NONE ADAPTER, HIGH T-BOX, CH-500
DRAWING CATEGORY: OUTLINE		<b>Cummins Generator Technologies</b>
STATE: RELEASED	SHEET: 1 OF 2	DIMENSIONS ARE IN: MILLIMETERS 1: ARE IN: SIZE: A0 SCALE: 1:1.5
CUMMINS DATA CLASSIFICATION: CUMMINS CONFIDENTIAL		DIMENSIONING AND TOLERANCING PER: ASME Y14.5-2009
THIS DOCUMENT (AND THE INFORMATION SHOWN THEREON) IS CONFIDENTIAL AND PROPRIETARY AND SHALL NOT BE DISCLOSED TO OTHERS IN HARD COPY OR ELECTRONIC FORM, REPRODUCED BY ANY MEANS, OR USED FOR ANY PURPOSE WITHOUT WRITTEN CONSENT OF CUMMINS INC.		CAD SYSTEM: PTC® Creo® Parametric

4

3

2

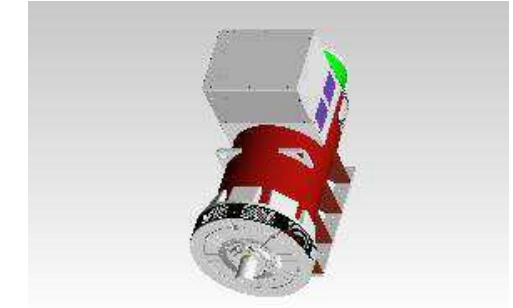
1

D



Part Number: A076K058

Change Notice	CN00170126	Alternates	
Manufacturer Part (MEP)	No	Usage	Production Only
Release Phase Code	Production (P)	Drawing Specification	Number: DS47151229
External Regulations	No External Regulation		Revision: C



3D image provided when available for visual reference only.

C

Drawing Revision Information

<b>Description of Change(s)</b> Note: Change information is provided for reference only and does not supersede the drawing's primary content.
1. ZONE B-1/2/3/4 : A7-K WAS S7-K
ADMINISTRATIVE CHANGE(S) TO PART ATTRIBUTES, BILL OF MATERIAL, OR ASSOCIATED SPECIFICATIONS.

Drawing Authorization

Drafter	Aishwarya Rajaram Shelar	Date	14FEB2025
Checker	Sneha Pundlikrao Bondlewad	Date	18FEB2025
Approver	Alin Dumitru Visian	Date	18FEB2025

B

A

Cummins Data Classification: **Cummins Confidential** This document (and the information shown thereon) is **Confidential and Proprietary** and shall not be disclosed to others in hard copy or electronic form, reproduced by any means, or used for any purpose without written consent of Cummins Inc.

Part Number: **A076K058** Part Revision: **C**  
 Part Name: **ARRANGEMENT,GENERATOR GENERAL**  
 Drawing Category: **Outline** State: **Released** Sheet 2 of 2

4

3

2

1