

AvK® A7 6 POLE



LOW VOLTAGE ALTERNATOR

Marine (Class F)

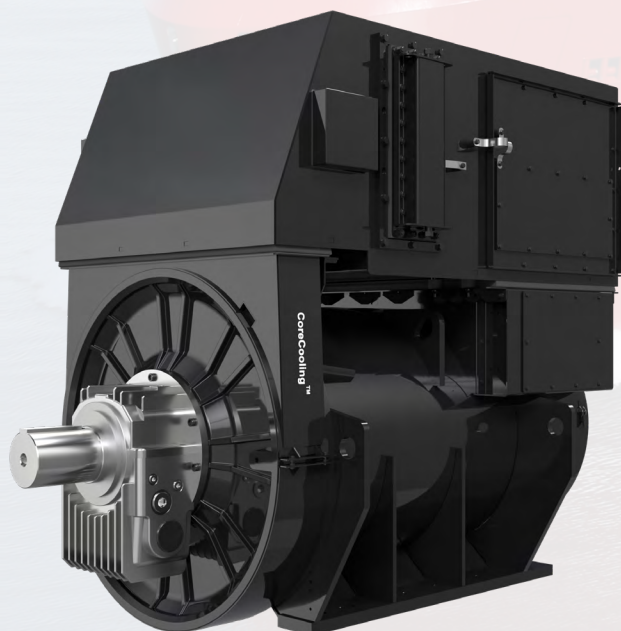
960 - 1625 kVA 50 Hz

832 - 1600 kW 60 Hz

Industrial (Class H)

1200 - 2100 kVA 50 Hz

1040 - 2016 kW 60 Hz



Sleeve bearing and water-cooler options available

Driving innovation built on over 120 years of STAMFORD® and AvK® expertise.

Ultimate peace of mind for your project with flexible sourcing time, max power with less space and weight, plus world-renowned proven reliability and uptime.

FEATURES

- Anti-friction bearing as standard
- DM110 Digital AVR as standard
- Optional sleeve bearing

WATER-COOLED OPTION

- Anti-vibration on water-cooler
- IP54 water-cooled
- Capable with sea or freshwater for operational flexibility

DESIGNED FOR ENDURANCE

- Class H insulation as standard for superior thermal life
- Validated at high ambient temperature
- CoreCooling™ technology

UPTIME MAXIMISED

- Flexibility of applications usage including PTO (Power Take Off) and PTI (Power Take In)
- Meets a wide range of marine classifications including IP23 to IP44 (IP54 Terminal Box) and SOLAS
- Supports overload capacity of 110% one hour in every twelve (as per ISO8528)
- 3 x short circuit current handling capacity

PEACE OF MIND

- World-class service network in over 120 countries with unmatched support
- 24-hour dedicated service support
- Global aftermarket network to support regular parts availability
- Class-leading 3-year warranty
- Authenticity guarantee-hologram verification

STAMFORD | AvK™

POWERING TOMORROW, TOGETHER

www.stamford-avk.com

A7 Marine Ratings 380-480V

6 pole alternator: 1000/1200 rpm (50 Hz/60 Hz)

50 Hz

60 Hz

Class B (70° temperature rise)

Volts	380		400		415		440	
Model	kW	kVA	kW	kVA	kW	kVA	kW	kVA
A7L1M-D6	688	860	720	900	720	900	664	830
A7L1M-H6	864	1080	900	1125	900	1125	828	1035
A7L1M-J6	976	1220	1008	1260	1008	1260	928	1160
A7L1M-K6	1136	1420	1172	1465	1172	1465	N/A	N/A

Class B (70° temperature rise)

Volts	416		440		460		480	
Model	kW	kVA	kW	kVA	kW	kVA	kW	kVA
A7L1M-D6	750	937	793	991	829	1036	865	1081
A7L1M-H6	936	1170	992	1240	1032	1290	1080	1350
A7L1M-J6	1060	1325	1120	1400	1170	1462	1220	1525
A7L1M-K6	1250	1563	1320	1650	1380	1725	1440	1800

Class F (90° temperature rise)

Volts	380		400		415		440	
Model	kW	kVA	kW	kVA	kW	kVA	kW	kVA
A7L1M-D6	768	960	800	1000	800	1000	736	920
A7L1M-H6	960	1200	1000	1250	1000	1250	920	1150
A7L1M-J6	1088	1360	1120	1400	1120	1400	1032	1290
A7L1M-K6	1260	1575	1300	1625	1300	1625	N/A	N/A

Class F (90° temperature rise)

Volts	416		440		460		480	
Model	kW	kVA	kW	kVA	kW	kVA	kW	kVA
A7L1M-D6	832	1040	880	1100	920	1150	960	1200
A7L1M-H6	1040	1300	1100	1375	1148	1435	1200	1500
A7L1M-J6	1180	1475	1250	1562	1300	1625	1360	1700
A7L1M-K6	1390	1738	1470	1837	1535	1919	1600	2000

Other Marine and Industrial windings available.

Winding 426 and 428 (660-690V) 50/60Hz.

For more information contact applications@cummins.com

A7 Industrial Ratings 380-480V

6 pole alternator: 1000/1200 rpm (50 Hz/60 Hz)

50 Hz

60 Hz

Class H 125/40

Volts	380		400		415		440	
Model	kW	kVA	kW	kVA	kW	kVA	kW	kVA
A7L1D-D6	690	1200	1000	1250	1000	1250	904	1130
A7L1D-H6	1240	1550	1280	1600	1280	1600	1192	1490
A7L1D-J6	1356	1695	1400	1750	1400	1750	1280	1600
A7L1D-K6	1628	2035	1680	2100	1680	2100	N/A	N/A

Class H 125/40

Volts	416		440		460		480	
Model	kW	kVA	kW	kVA	kW	kVA	kW	kVA
A7L1D-D6	1040	1300	1100	1375	1150	1438	1200	1500
A7L1D-H6	1330	1663	1410	1763	1470	1838	1536	1920
A7L1D-J6	1455	1819	1540	1925	1610	2013	1680	2100
A7L1D-K6	1750	2188	1850	2313	1930	2413	2016	2520

Standby 150/40

Volts	380		400		415		440	
Model	kW	kVA	kW	kVA	kW	kVA	kW	kVA
A7L1D-D6	1000	1250	1040	1300	1040	1300	940	1175
A7L1D-H6	1292	1615	1332	1665	1332	1665	1240	1550
A7L1D-J6	1416	1770	1456	1820	1456	1820	1344	1680
A7L1D-K6	1696	2120	1748	2185	1748	2185	N/A	N/A

Standby 150/40

Volts	416		440		460		480	
Model	kW	kVA	kW	kVA	kW	kVA	kW	kVA
A7L1D-D6	1085	1356	1145	1431	1200	1500	1250	1563
A7L1D-H6	1385	1731	1465	1831	1535	1919	1600	2000
A7L1D-J6	1515	1894	1605	2006	1675	2094	1750	2188
A7L1D-K6	1820	2275	1925	2406	2015	2519	2096	2620

Standby 163/27

Volts	380		400		415		440	
Model	kW	kVA	kW	kVA	kW	kVA	kW	kVA
A7L1D-D6	1024	1280	1072	1340	1072	1340	968	1210
A7L1D-H6	1332	1665	1372	1715	1372	1715	1276	1695
A7L1D-J6	1456	1820	1500	1875	1500	1875	1384	1730
A7L1D-K6	1748	2185	1800	2250	1800	2250	N/A	N/A

Standby 163/27

Volts	416		440		460		480	
Model	kW	kVA	kW	kVA	kW	kVA	kW	kVA
A7L1D-D6	1120	1400	1180	1475	1230	1538	1285	1606
A7L1D-H6	1435	1794	1510	1888	1575	1969	1645	2056
A7L1D-J6	1570	1963	1655	2069	1725	2156	1800	2250
A7L1D-K6	1885	2356	1985	2481	2070	2588	2160	2700

Winding number 412 (formally winding 312)

Ratings are subject to change



Specifications

MODEL	kVA	kW
Power Range at 50Hz 125/40°C @ 400V	1250 - 2100	1000 - 1680
Power Range at 60Hz 125/40°C @ 480V	1500 - 2520	1200 - 2016
Specifications	Standard	Options
Voltage range	380 - 480V	660 - 690V
Poles	6	-
Technology	Wire Wound	-
Winding Pitch	5/6 th	-
AVR	DM110	DEC100, DEC150, DEC250
AVR Technology	Digital	-
Voltage Sensing	3 Phase	-
Bearing Design	Anti-friction	Sleeve
Bearing Arrangement	Single (1)	Double (2)
SAE Adaptors ¹	0	00, None
Leads Out	6	-
Material Insulation	Class H	-
Excitation System	PMG	-
Ingress Protection	IP23	IP44, IP54
Connection with other machines	Paralleling capability	-
Cooling Method	IC01 (Air Cooling)	IC81W (Air to Water Cooling)
Flexible Feet (Mounting Flexibility)	Standard	-

Key

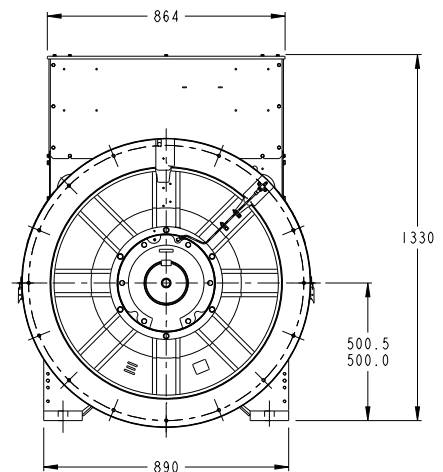
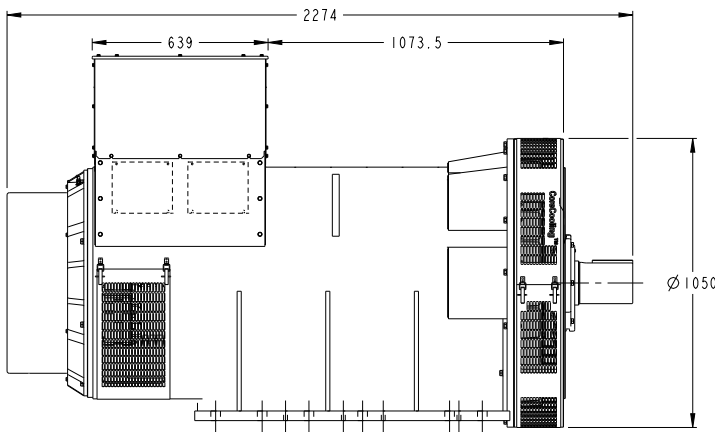
- ¹ Adaptors to be provided on anti-friction bearing machines only
- ² Available on industrial products only
- ³ Bearing RTD is only available on Anti-Friction

Accessories

Factory Fitted Build Options
Anti-Condensation Heater
Quadrature Droop kit
Bearing RTD (Each Bearing) ³
Air Inlet Filter ²
Drip Proof Louvres ²
Temperature Monitoring Stator RTDs
High Terminal Box
Current Transformer Metering / Protection / Earth Leakage
Non-Fitted Build Options (Supplied Loose)
Remote Voltage Trimmer
Radio Frequency Interference (RFI) Suppressor Kit
Excitation Loss Module
Diode Failure Detector
Prime Movers
Diesel Engine
Gas Engine
Hydrogen Engine
Biodiesel / HVO Engine
Biogas
Gas / Steam Turbine

Notes

Customers are able to remove Terminal Box, AVR and PMG at the time of ordering



Full GA drawings available from <https://www.stamford-avk.com/downloads>



We are here to support your future decarbonisation goals, through our end-to-end expertise in versatile solutions. Backed by the reassurance of our world-renowned brands recognised for reliability and complete peace of mind, we are with you on your journey towards sustainability.
stamfordavk.li/future-ready



www.stamford-avk.com



STAMFORD | AvK™
POWERING TOMORROW, TOGETHER

Copyright 2025, Cummins Generator Technologies Ltd. All rights reserved. STAMFORD and AvK are registered trademarks of Cummins Generator Technologies Ltd.

Part No. PB_A76pole_EN_HP_Rev.02