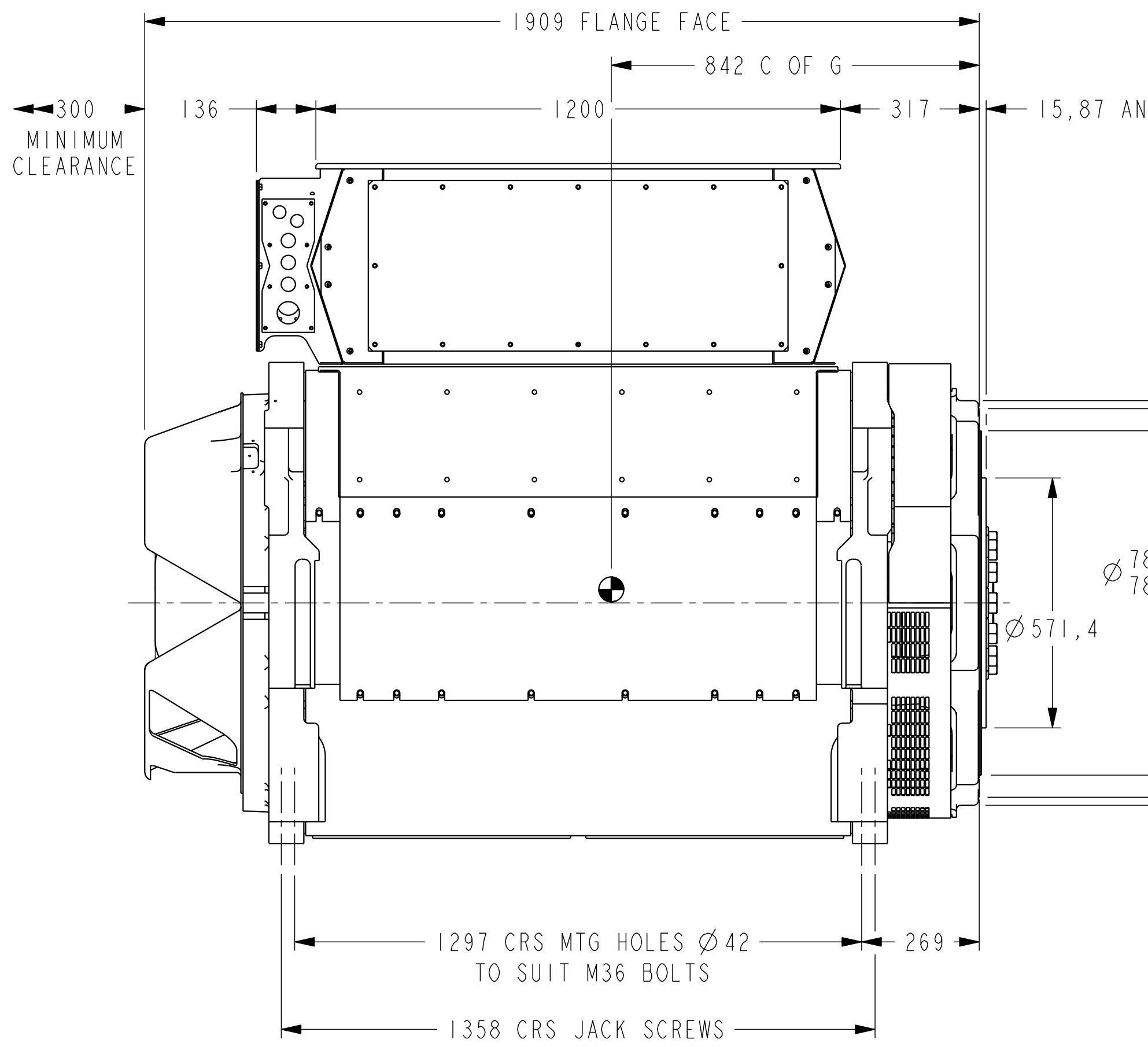
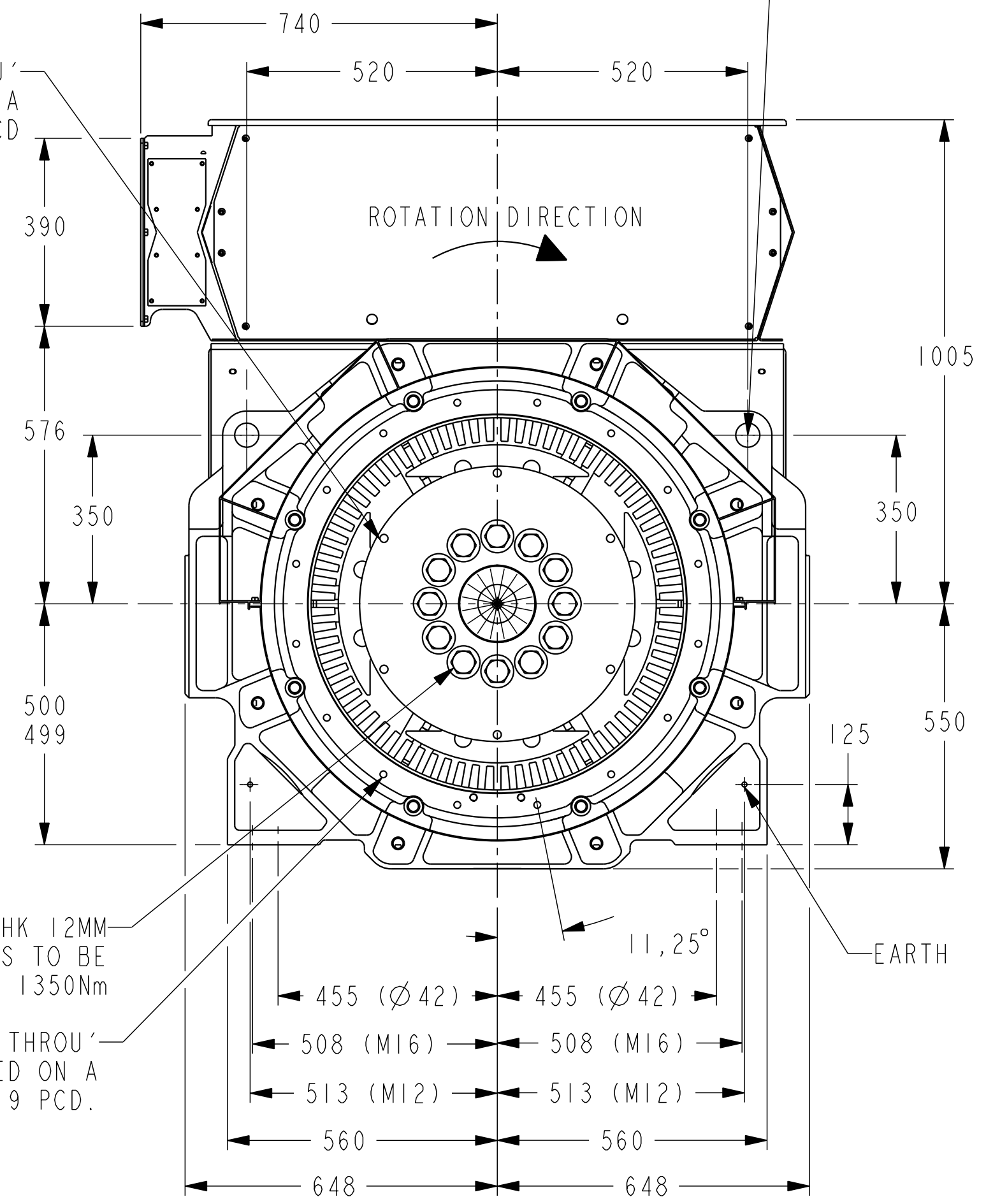


REL NO	REV	DETAIL	DWN	CKD	APVD	DATE
ECO-118760	A	PRODUCTION RELEASE.	AGS	JWS	AS	12AUG11



6 HOLES $\phi 16,7$ THRU' EQUI-SPACED ON A $\phi 543$ PCD



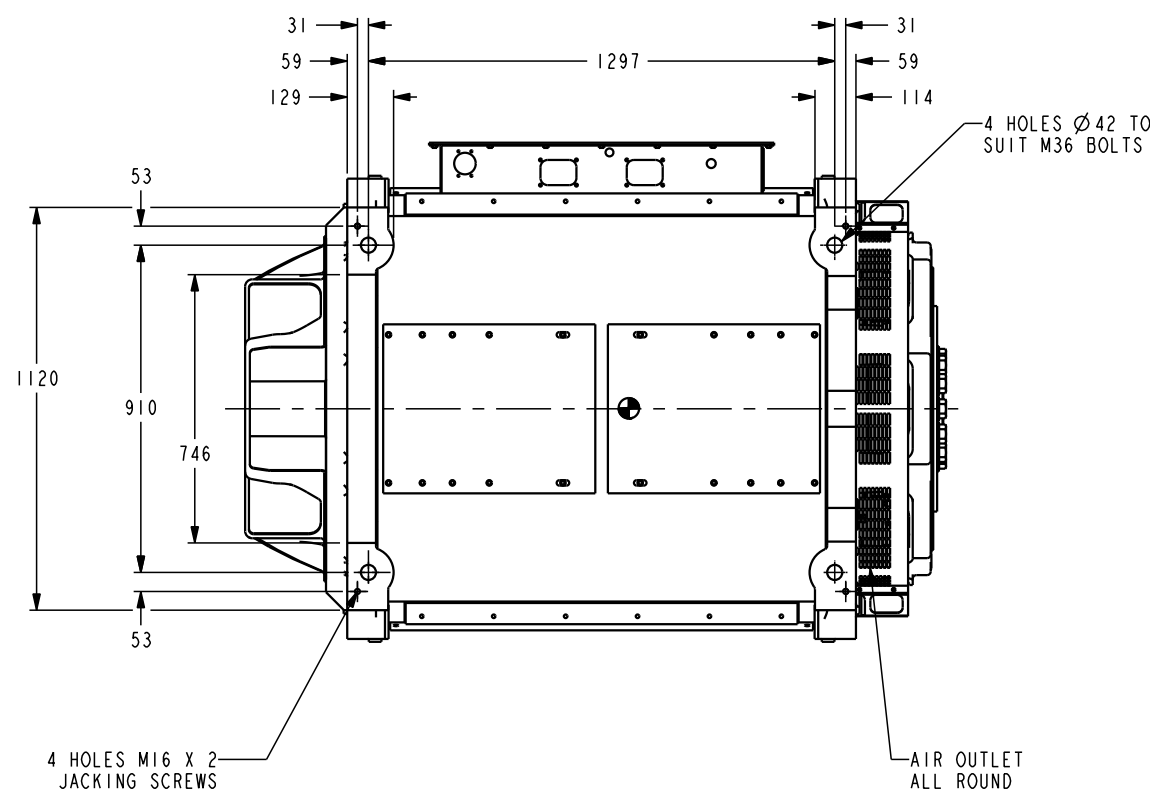
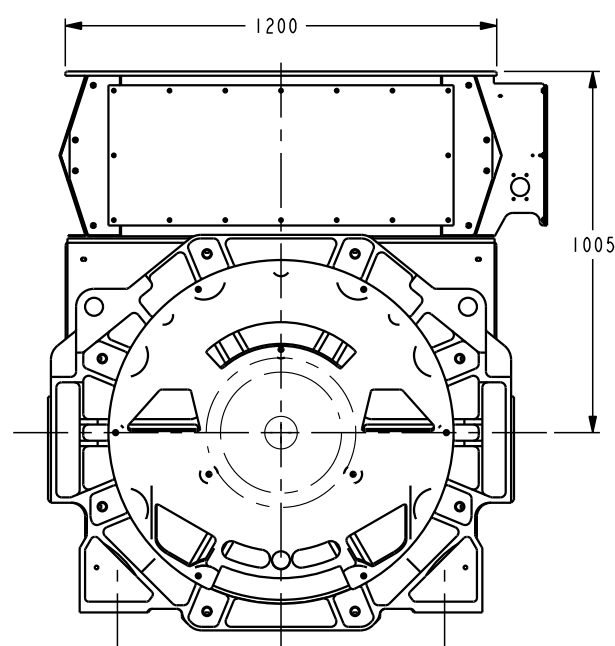
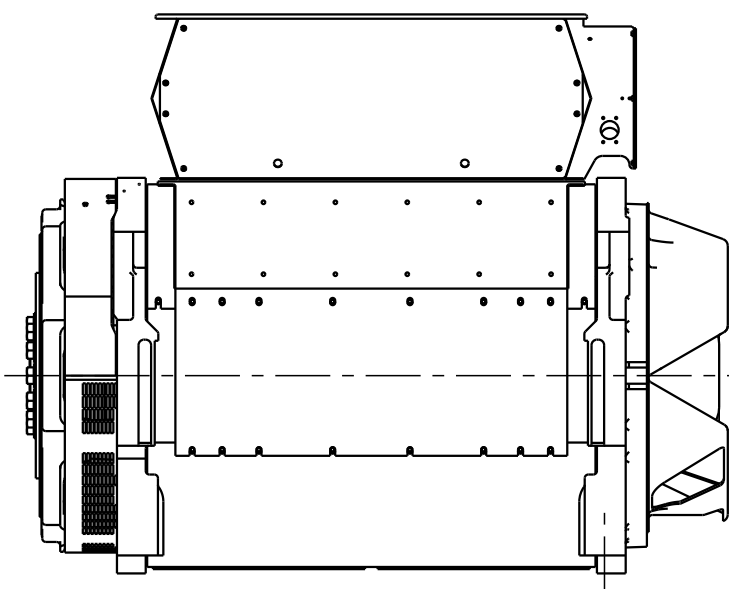
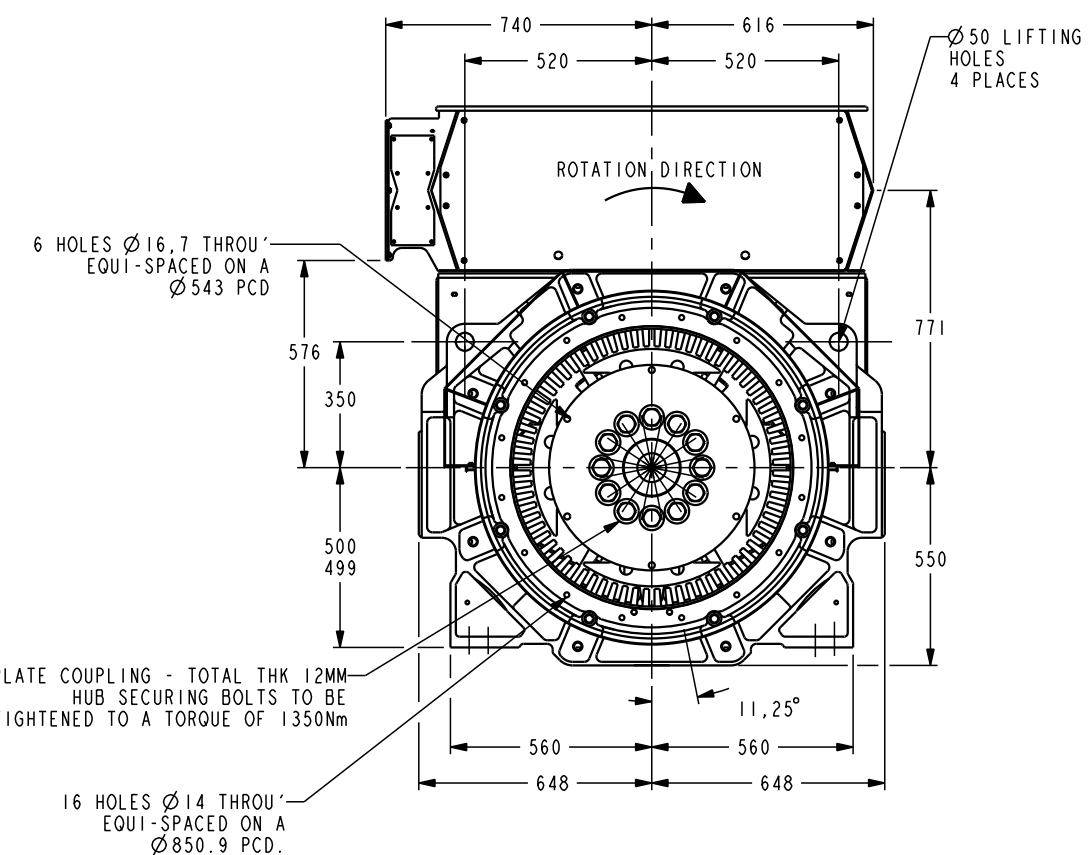
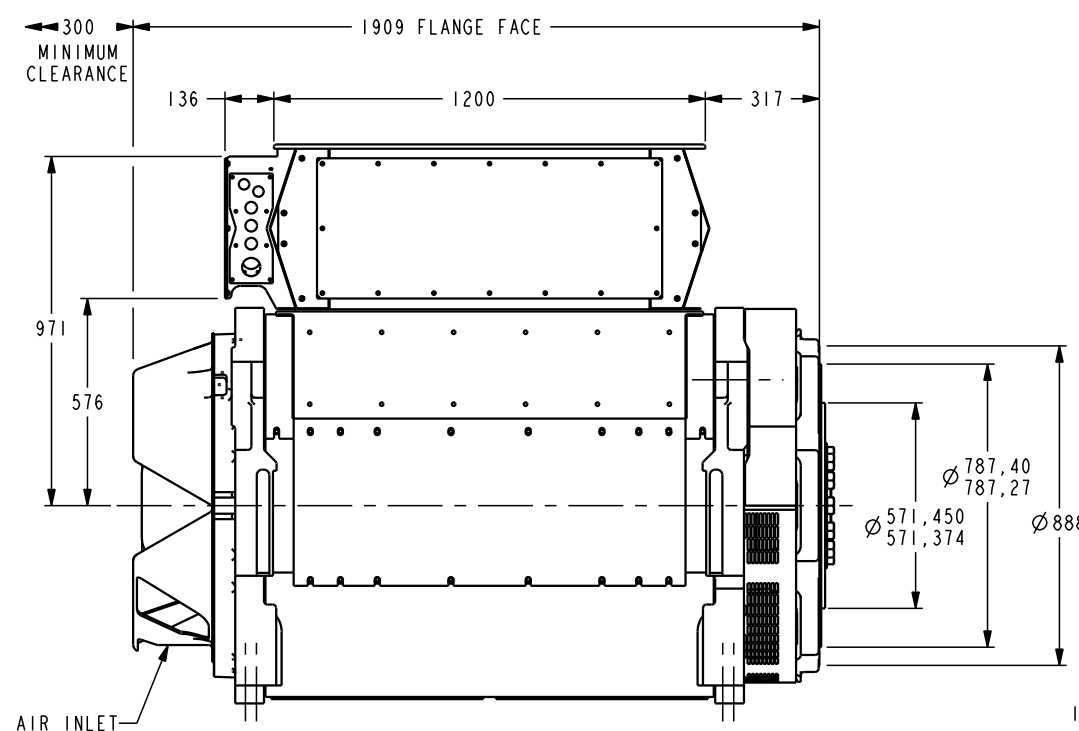
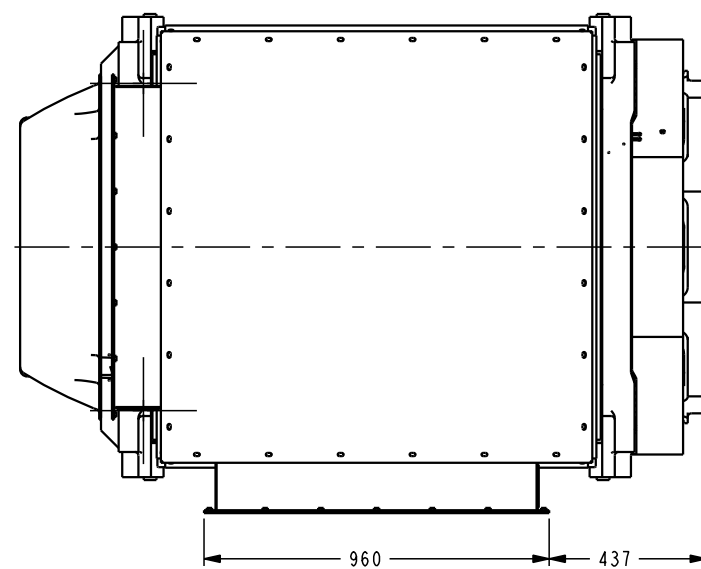
10 PLATE COUPLING - TOTAL THK 12MM HUB SECURING BOLTS TO BE TIGHTENED TO A TORQUE OF 1350Nm

16 HOLES $\phi 14$ THRU' EQUI-SPACED ON A $\phi 850.9$ PCD.

ESTIMATED WEIGHT 5661 KG

UNLESS OTHERWISE SPECIFIED, ALL DIMENSIONS ARE IN MILLIMETERS		SIM TO		DWN AGS				CUMMINS GENERATOR TECHNOLOGIES	
DO NOT SCALE PRINT		DO NOT SCALE PRINT		CKD JWS				P80 ALTERNATOR HV S CORE	
DIM	X ± 1	HOLE	0.00- 4.99 +0.15/-0.08	APVD AS		SITE CODE		500 INTEGRATED FOOT / SAE00/18 ADAPTOR	
	X.X ± 0,1		5.00- 9.99 +0.20/-0.10	DATE 12AUG11		STA		DWG SIZE A2	
	X.XX ± 0,01		10.00-17.49 +0.25/-0.13	FOR INTERPRETATION OF DIMENSIONING AND TOLERANCING, SEE ASME Y14.5M-1994		FIRST USED ON		SHEET 1	
ANG TOL: ± 0,5°		SCALE: 1:10		- CONFIDENTIAL - PROPERTY OF CUMMINS GENERATOR TECHNOLOGIES		A040U971		REV A	

REV NO	REV	DETAIL	OWN CD	APPD	DATE
ECO-118760	A	PRODUCTION RELEASE	AGS/JWS	AS	12AUG11



ESTIMATED WEIGHT 5661 KG

FRAME	P80
CORE LENGTH	S
VOLTAGE RATING	HV
BEARINGS	I
CENTRE HEIGHT	INTEGRAL 500
ADAPTOR	SAE00
COUPLING	SAE18
ENCLOSURE	1P23
CABLE ENTRY FROM DE	LEFT

UNLESS OTHERWISE SPECIFIED, ALL DIMENSIONS ARE IN MILLIMETERS		REV NO	REV	DETAIL	OWN CD	APPD	DATE
X ± 1	0.00-4.99 +0.15/-0.08	ECO-118760	A	PRODUCTION RELEASE	AGS/JWS	AS	12AUG11
X.X ± 0.1	5.00-9.99 +0.20/-0.10						
X.XX ± 0.01	10.00-17.49 +0.25/-0.13						
	17.50-24.99 +0.30/-0.13						
ANG TOL: ± 0.5°	SCALE: 1:10						

DO NOT SCALE PRINT

 CONFIDENTIAL
 PROPERTY OF CUMMINS GENERATOR TECHNOLOGIES

CUMMINS GENERATOR TECHNOLOGIES	
REV NO	REV
ECO-118760	A
DATE	12AUG11
SITE CODE	P80 ALTERNATOR HV S CORE 500 INTEGRATED FOOT / SAE00/18 ADAPTOR
STA	A040U971
SHEET	2
REV	A