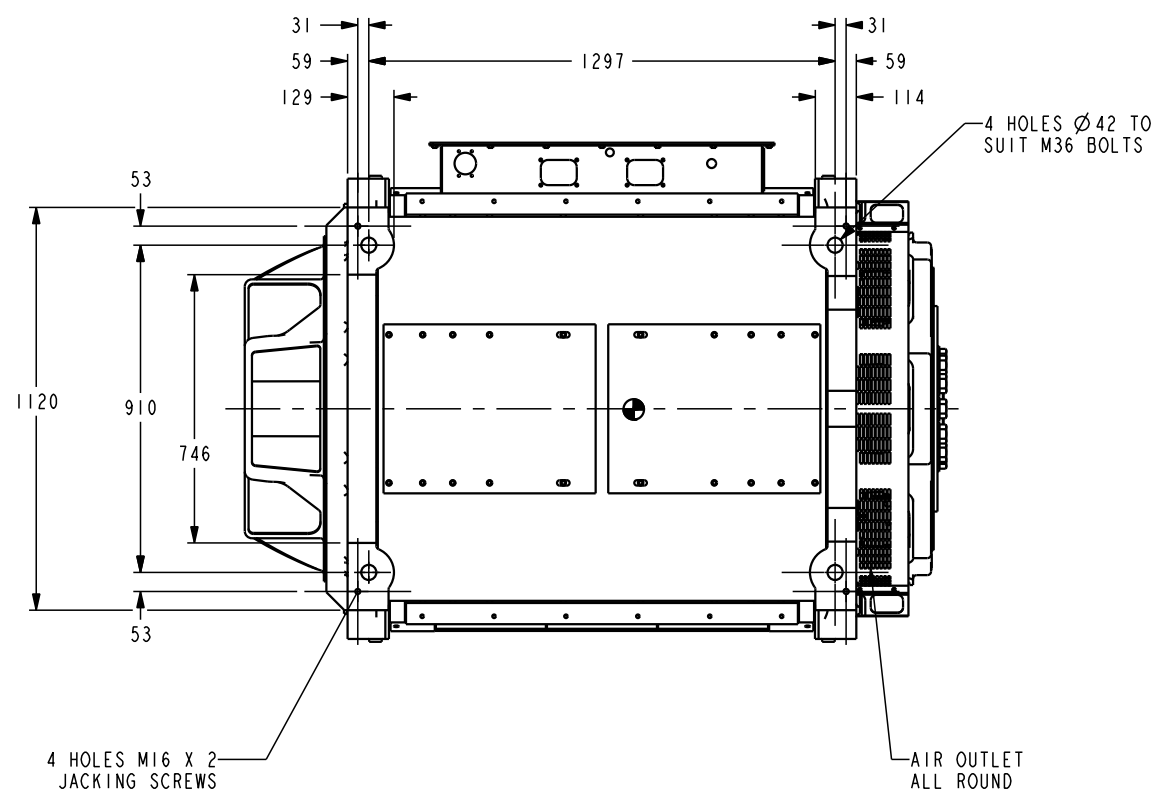
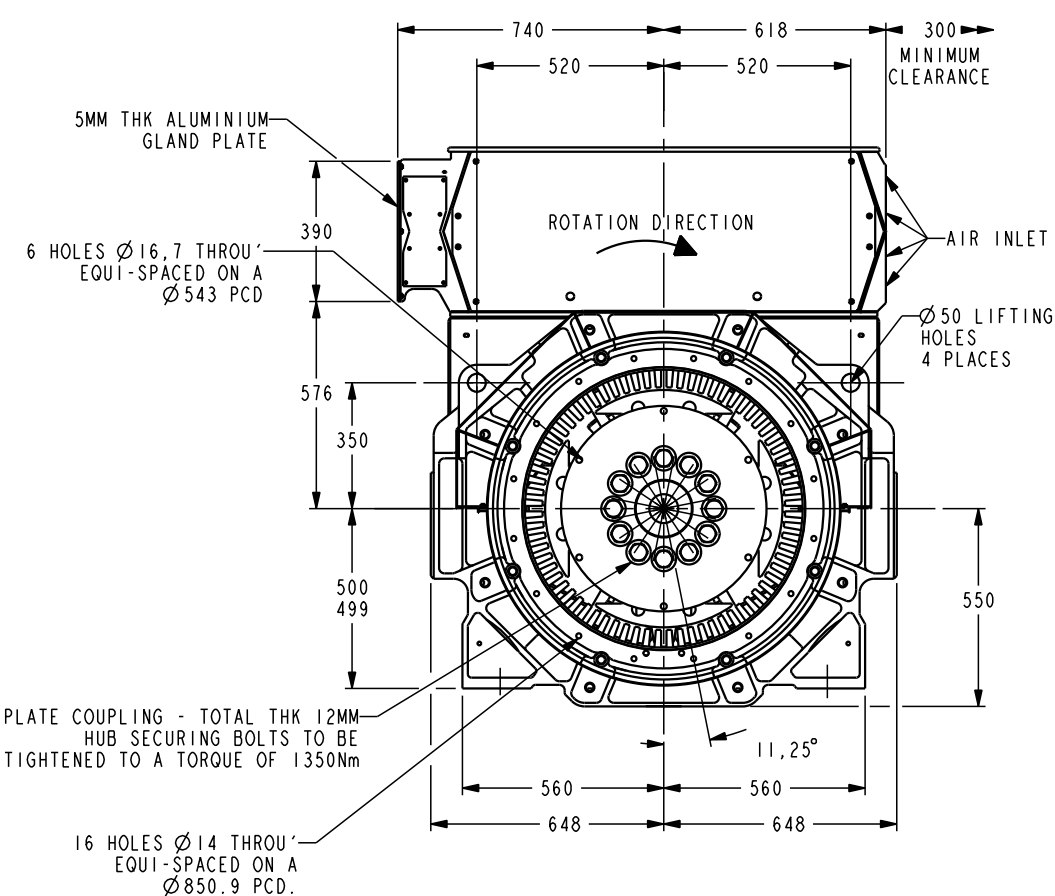
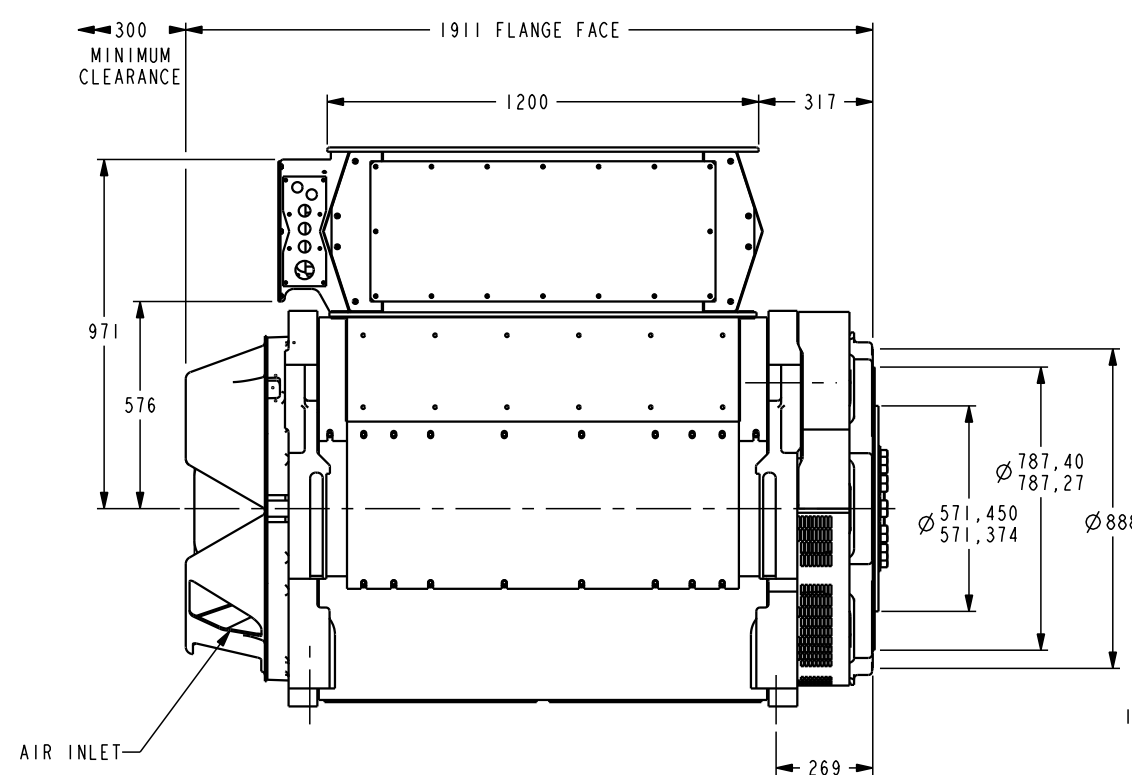
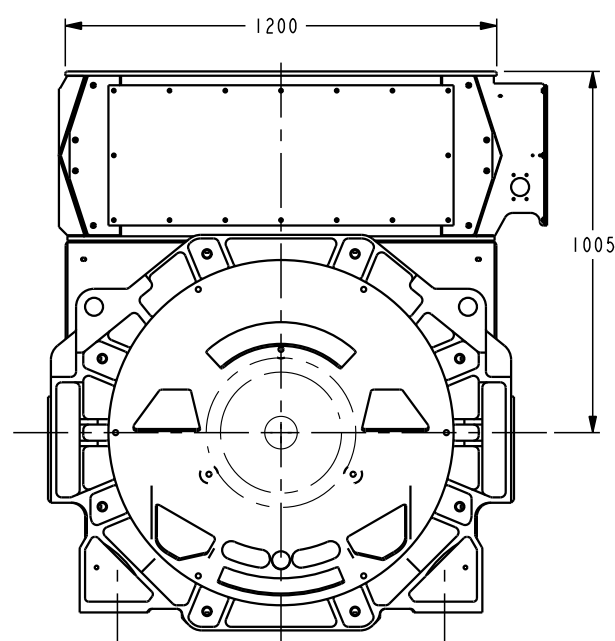
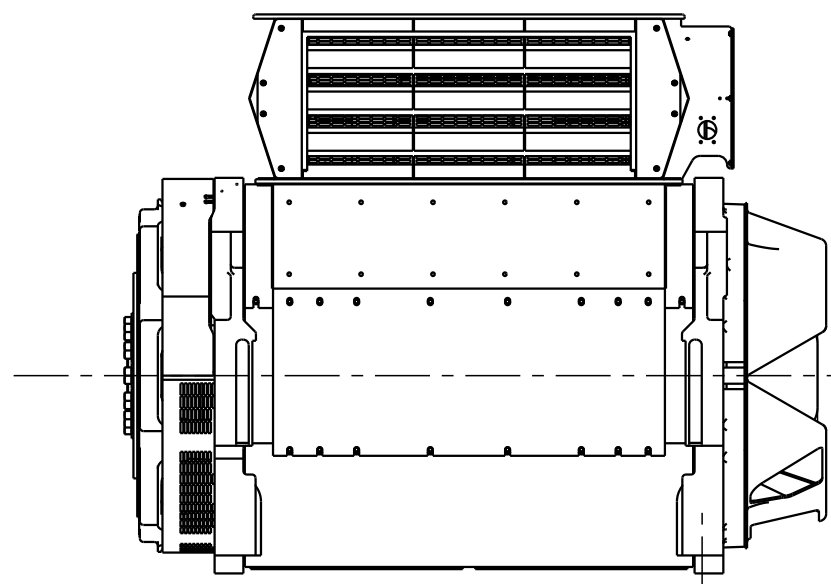
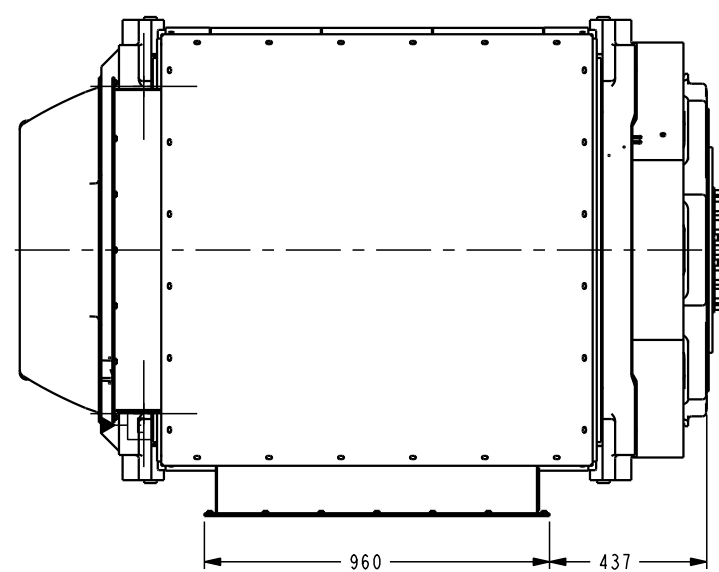


REL NO	REV	DETAIL	DM	CD	APD	DATE
ECO-139906	A	PRODUCTION RELEASE	AGS	AS	AS	09DEC13



NOMINAL WEIGHT BASED ON CAD MODEL 5473KG NOT FOR INSPECTION

UNLESS OTHERWISE SPECIFIED, ALL DIMENSIONS ARE IN MILLIMETERS		DM AGS	CD AS	CUMMINS GENERATOR TECHNOLOGIES	
X ± 1	0.00-4.99 +0.15/-0.08	APVD AS	DATE 09DEC13	GENERAL ARRANGEMENT	
X.X ± 0.1	5.00-9.99 +0.20/-0.10	DATE 09DEC13	SITE CODE	P80 LV R CORE SA60018	
X.XX ± 0.01	10.00-17.49 +0.25/-0.13	PROPERTY OF CUMMINS GENERATOR TECHNOLOGIES	STA	A048J682	
X.XXX ± 0.001	17.50-24.99 +0.30/-0.13	CONFIDENTIAL	REV	2	
ANG TOL: ± 0.5°	SCALE: 1:10	DATE 09DEC13	REV	A	