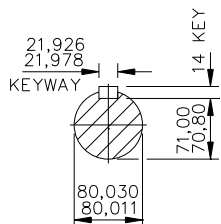


| REL NO | REV | DETAILS | DWN | CKD | APVD | DATE |
|------------|-----|---------------------------|-----|-----|------|---------|
| ECO-130105 | H | AVR VIEWS & NOTES UPDATED | NNG | APM | SMH | 15NOV12 |

| CORE | C OF G |
|------|--------|
| F | 500 |



DETAIL OF SHAFT EXTENSION.

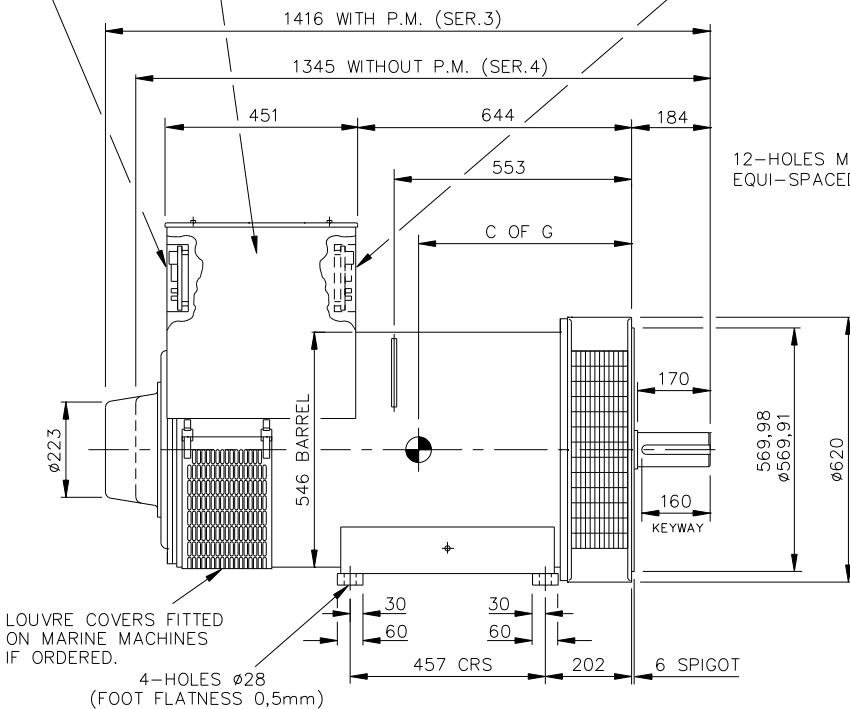
AVR NDE POSITIONS

REMOVABLE SIDE COVERS

AVR DE POSITIONS

AVR POSITION WHEN FITTED TO NDE OR DE (TO SUIT R/H CABLE ENTRY)

AVR POSITION WHEN FITTED TO NDE OR DE (TO SUIT L/H CABLE ENTRY)

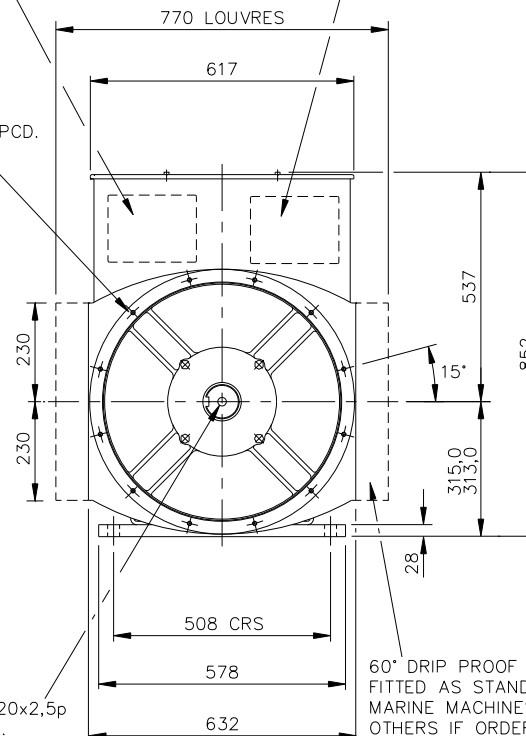


LOUVRE COVERS FITTED ON MARINE MACHINES IF ORDERED.

4-HOLES $\phi 28$ (FOOT FLATNESS 0,5mm)

12-HOLES M10x1,5p EQUI-SPACED ON 590 PCD.

1-HOLE M20x2,5p x 40 DEEP.



60° DRIP PROOF LOUVRES FITTED AS STANDARD ON MARINE MACHINES OTHERS IF ORDERED.

NOTE: - CUSTOMER MAY CUT CABLE ENTRY HOLES AS REQUIRED IN ANY OF THE FOUR TERMINAL BOX SIDES, SUBJECT TO POSITION OF AVR, TERMINALS, ETC.

| | | | | | | | | |
|--|----------|---------------|--|-----------|---------------------------------------|---------|-------|-----|
| UNLESS SPECIFIED ALL DIMENSIONS ARE IN MILLIMETERS | | | | | CUMMINS GENERATOR TECHNOLOGIES | | | |
| DO NOT SCALE PRINT | DRAWN | SMC | | | DRAWING, GENERAL ASSEMBLY | | | |
| | CHECKED | SMC | | | HC4 F 2-BRG STD GA | | | |
| CONFIDENTIAL | APPROVED | CR | | SITE CODE | | | | |
| PROPERTY OF CUMMINS GENERATOR TECHNOLOGIES | DATE | 05JUL00 | | STA | DWG SIZE A4 | 41-4496 | SHEET | REV |
| | SCALE | FIRST USED ON | | | | | 1 | H |
| | 1:10 | --- | | | | | | |