

REL NO	REV	DETAILS	DWN	CDK	APVD	DATE
ECO-139092	C	ADDED PG7T TO TITLE AND WEIGHT/C OF G TABLE	DW	SMH	SFA	04NOV13

D

D

C

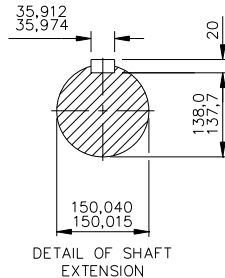
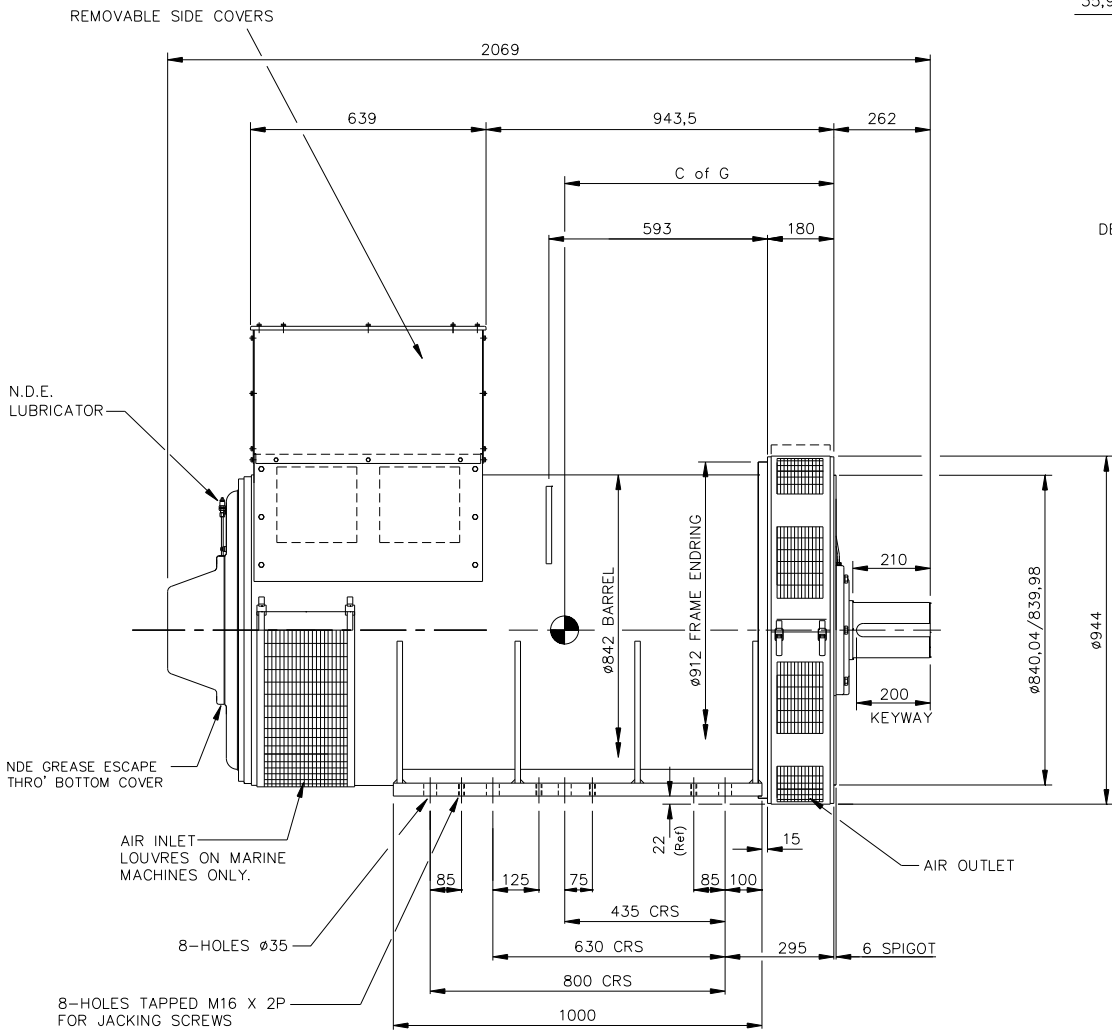
C

B

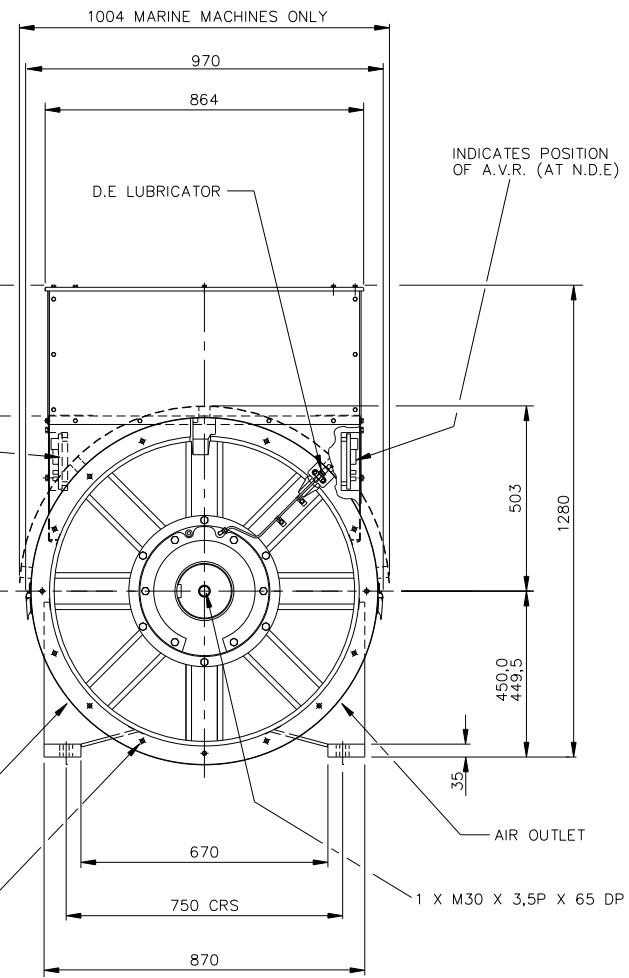
B

A

A



ALTERNATE POSITION OF A.V.R. (AT D.E)



CUSTOMER MUST ENSURE THAT AIR INLET & OUTLET POSITIONS ARE NOT OBSTRUCTED

NOTE: - CUSTOMER MAY CUT CABLE ENTRY HOLES AS REQUIRED IN ANY OF THE FOUR TERMINAL BOX SIDES SUBJECT TO POSITION OF AVR, TERMINALS, ETC.

CORE	C of G	WEIGHT kg
F (4p)	755	3807
F (6p)	745	3677
T (4p)	725	3970

UNLESS SPECIFIED ALL DIMENSIONS ARE IN MILLIMETERS			<b>CUMMINS GENERATOR TECHNOLOGIES</b>	
<b>DO NOT SCALE PRINT</b>	DRAWN DFC		DRAWING, GENERAL ASSEMBLY	
	CHECKED PJW	P7F (4p)(6p), PG7T (4p)		
	APPROVED DPC	2-BRG ALTERNATOR		
<b>CONFIDENTIAL</b>	DATE 14MAR05	SITE CODE	STANDARD TERMINAL BOX - STANDARD FEET	
PROPERTY OF CUMMINS GENERATOR TECHNOLOGIES	SCALE 1:10	FIRST USED ON ---	DWG SIZE <b>A2</b>	70-1006
		STA	SHEET 1	REV C