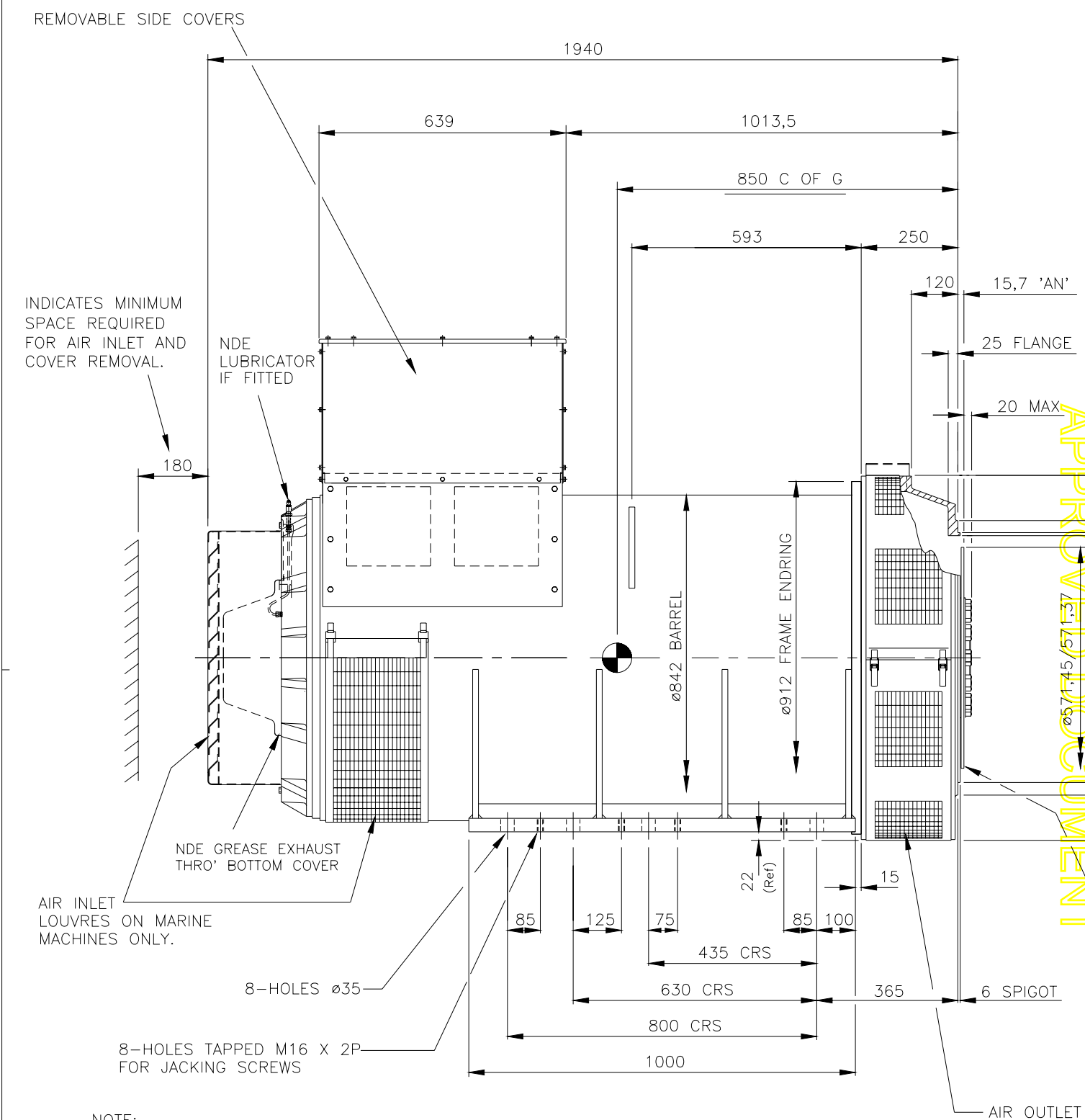
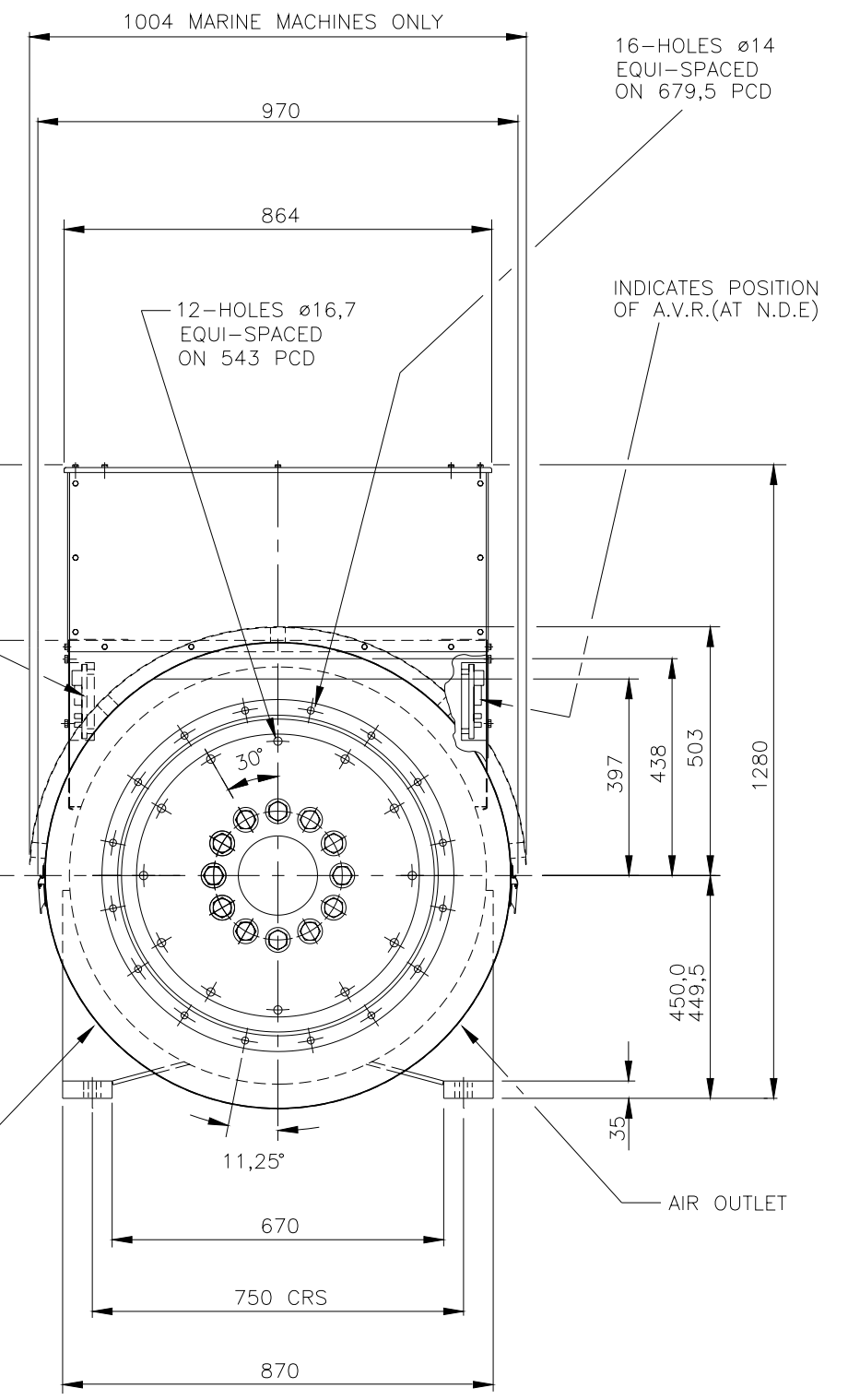
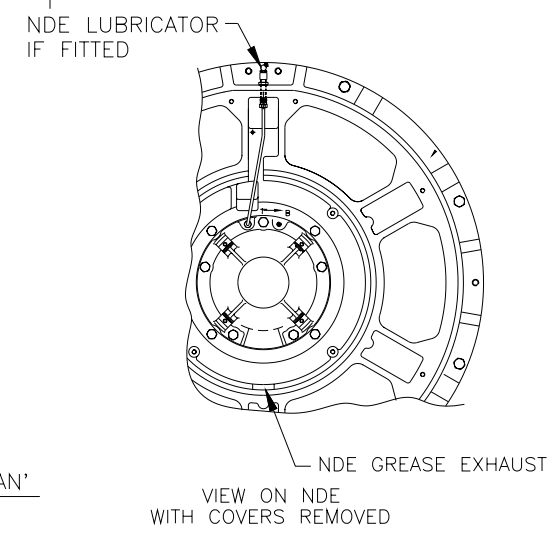


IF IN DOUBT-ASK
DO NOT SCALE



APPROVED DOCUMENT



6-PLATE COUPLING TOTAL THICKNESS
7,2. HUB SECURING BOLTS TO BE TIGHTENED TO A TORQUE OF 84Kgf m 822N m

NOTE:-
CUSTOMER MAY CUT CABLE ENTRY HOLES AS REQUIRED IN ANY OF THE FOUR TERMINAL BOX SIDES SUBJECT TO POSITION OF AVR, TERMINALS, ETC.

CUSTOMER MUST ENSURE THAT AIR INLET & OUTLET POSITIONS ARE NOT OBSTRUCTED

5-0895-01	C	JKB	04/11/10	LUBRICATION DETAILS ADDED TO NDE
4/8664/02	B	USD	14.09.06	CHANGE OF COMPANY NAME
4/7752/01	A	DFC	14/03/05	ORIGINAL ISSUE
MOD.	ISSUE	DRAWN	DATE	ALTERATION

CERTIFIED PRINT		
ONLY IF SIGNED		
BY		
DATE		
DRAWN	DFC	14.03.05
CHECKED	PJW	17.10.06
APPROVED	DPC	17.10.06

P7 G 1-BRG ALTERNATOR
ADAPTOR - SAE No 0
COUPLING - SAE No 18 (12 HOLES)
STD T/BOX - STD FEET

CUMMINS GENERATOR TECHNOLOGIES LTD.

SCALE	FIRST W.O.
1:10	
UNIT OF MEASUREMENT MILLIMETRES (mm)	
70-1017	ISSUE C
SHEET 1 OF 1	SHEETS