

REL NO	REV	DETAILS	DWN	CDK	APVD	DATE
ECO-139092	C	ADDED PG7S TO TITLE AND WEIGHT/C OF G TABLE	DW	SMH	SFA	04NOV13

D

D

C

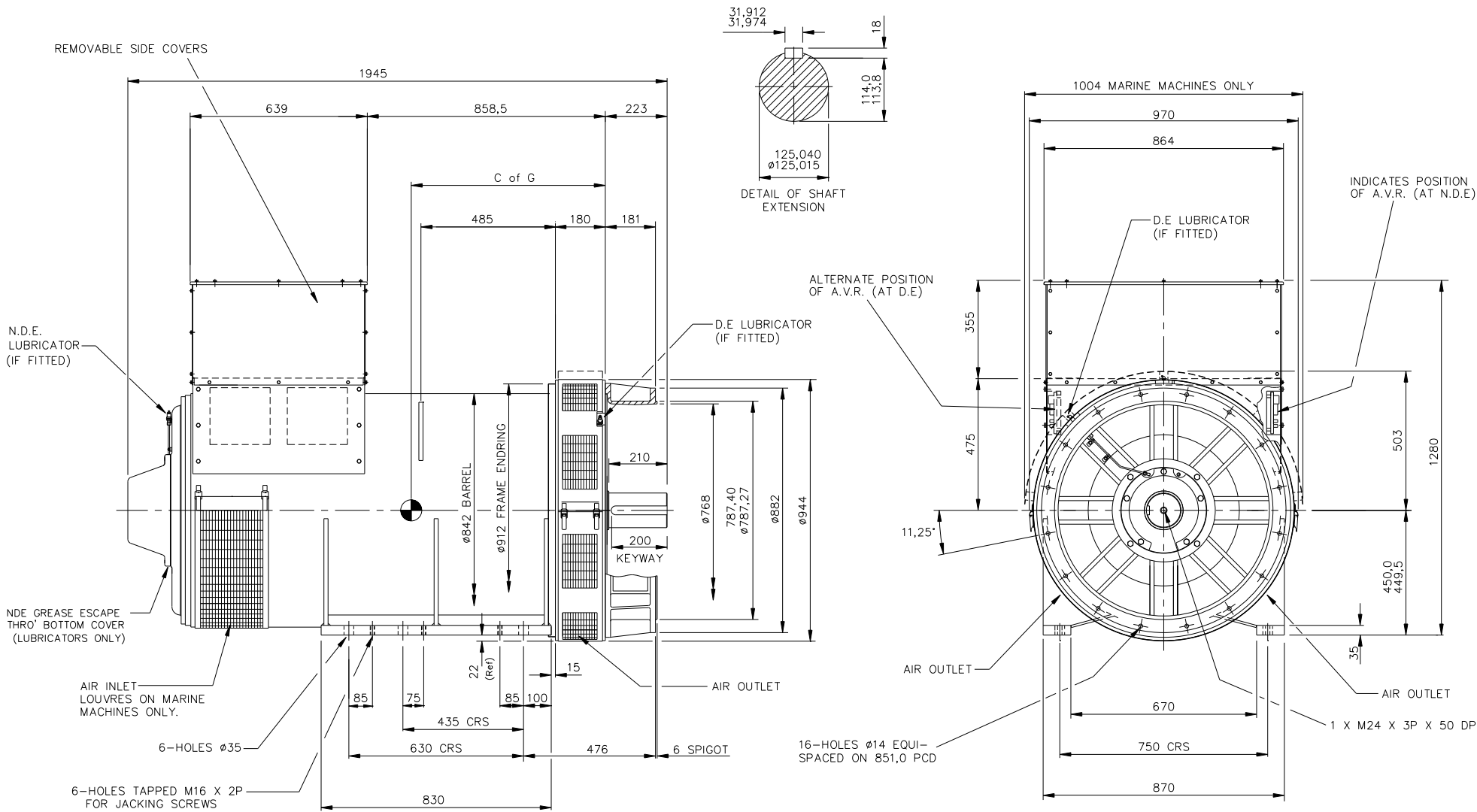
C

B

B

A

A



CUSTOMER MUST ENSURE THAT AIR INLET & OUTLET POSITIONS ARE NOT OBSTRUCTED

NOTE: - CUSTOMER MAY CUT CABLE ENTRY HOLES AS REQUIRED IN ANY OF THE FOUR TERMINAL BOX SIDES SUBJECT TO POSITION OF AVR, TERMINALS, ETC.

CORE	C of G	WEIGHT kg
D (4p)	710	3267
E (4p)	730	3506
D (6p)	710	3182
S (4p)	700	3670

UNLESS SPECIFIED ALL DIMENSIONS ARE IN MILLIMETERS			<b>CUMMINS GENERATOR TECHNOLOGIES</b>	
<b>DO NOT SCALE PRINT</b>	DRAWN AV		DRAWING, GENERAL ASSEMBLY P7D/E (4p) P7D (6p) PG7S (4p) 2-BRG ALTERNATOR WITH S.A.E No 00 ADAPTOR STANDARD TERMINAL BOX - STANDARD FEET	
	CHECKED SMH	SITE CODE	STA	DWG SIZE <b>A2</b>
	APPROVED SFA			
<b>CONFIDENTIAL</b>	DATE 15MAR05	70-1047		
PROPERTY OF CUMMINS GENERATOR TECHNOLOGIES	SCALE 1:10	FIRST USED ON	---	SHEET 1
				REV C