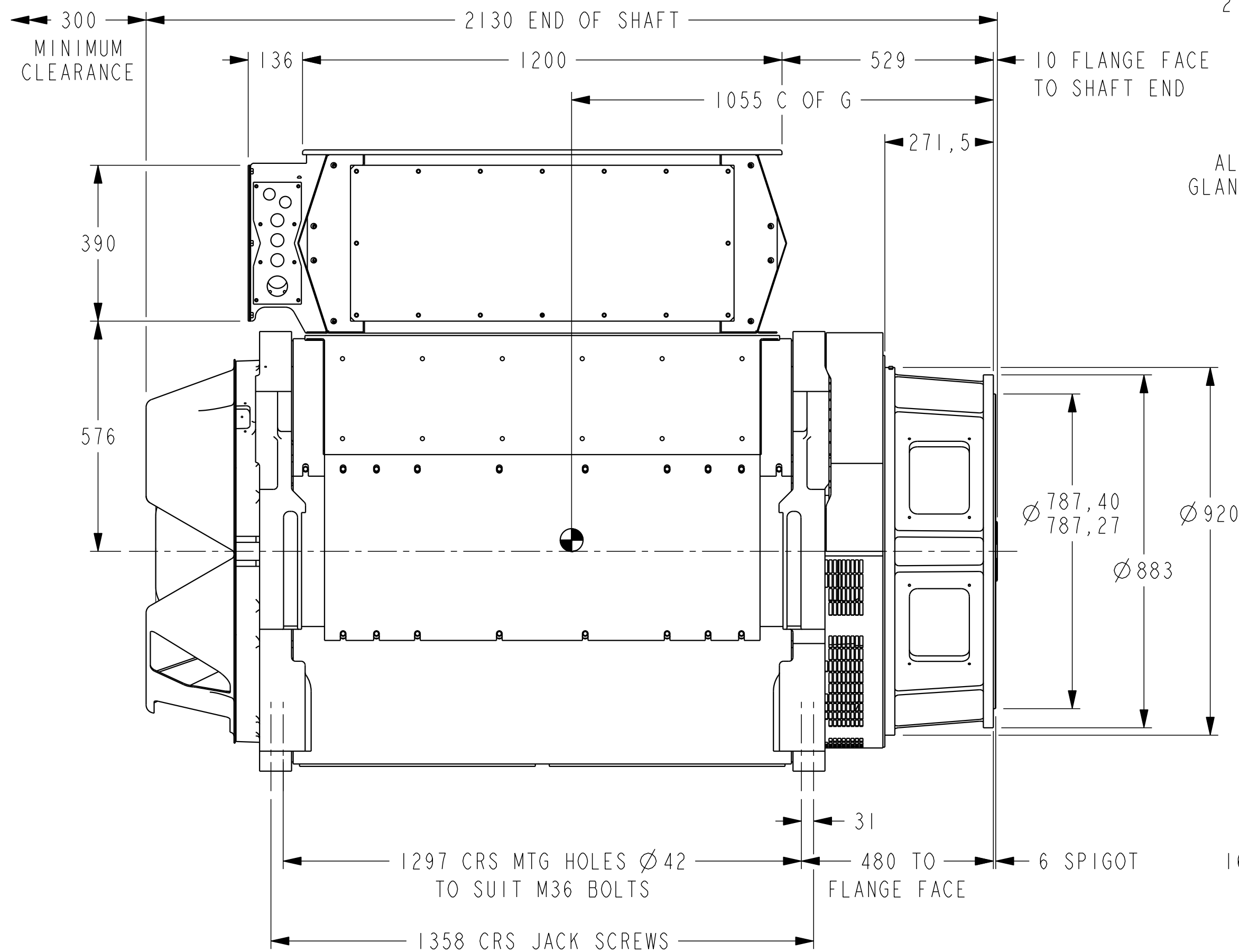
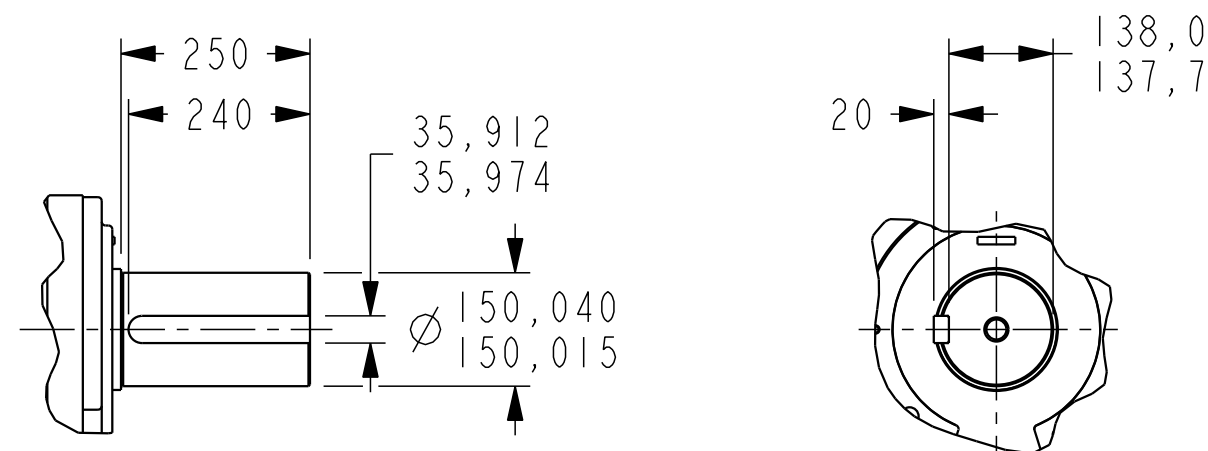
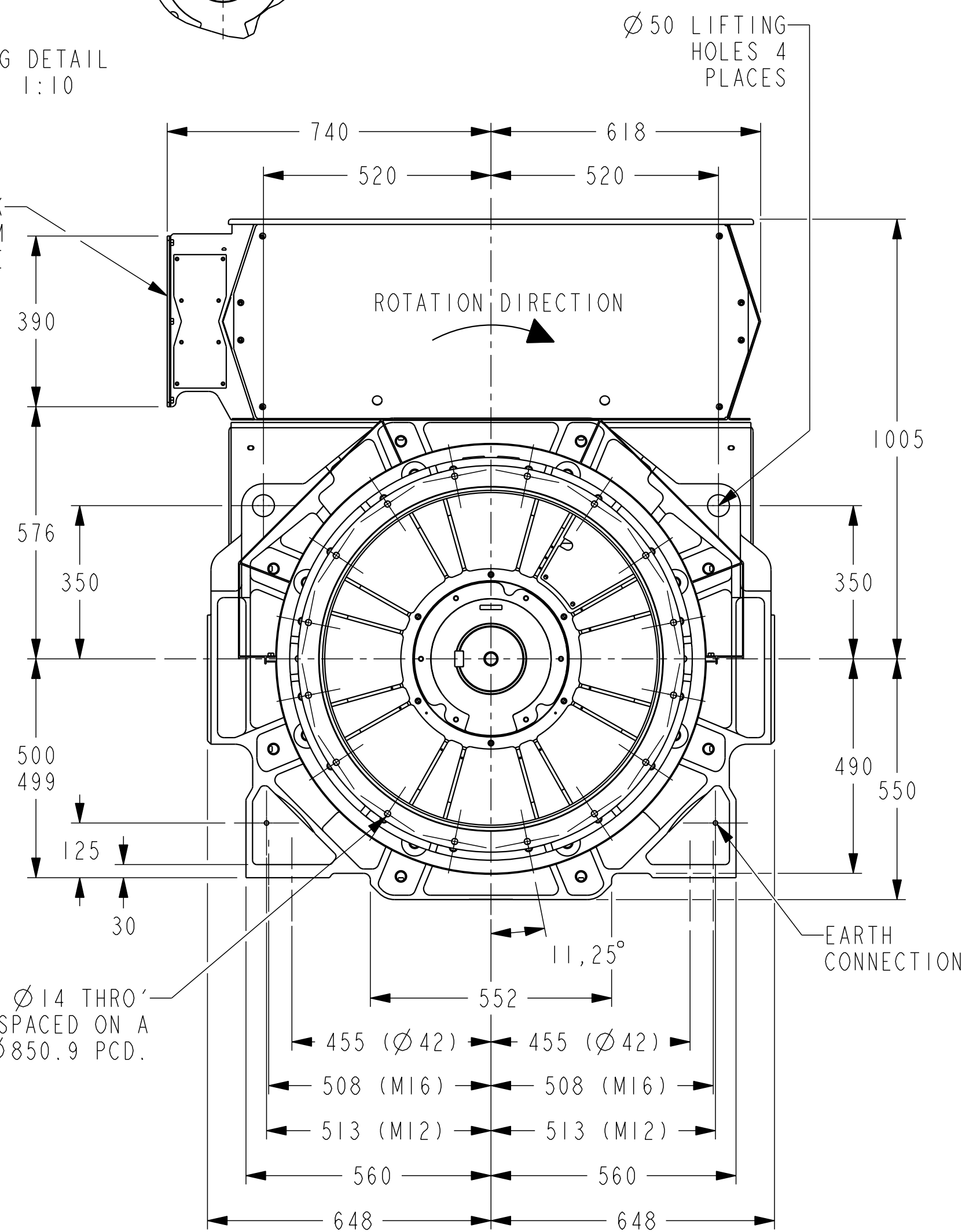


REL NO	REV	NO	REVISION	DWN	CKD	APVD	DATE
ECO-182221	B	1	DRAWING BORDER AND DIMENSIONING SCHEME UPDATED	AS	TC	W. COOKE	11DEC18



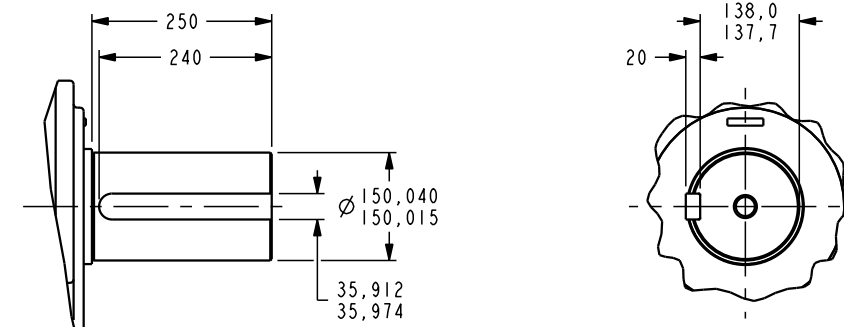
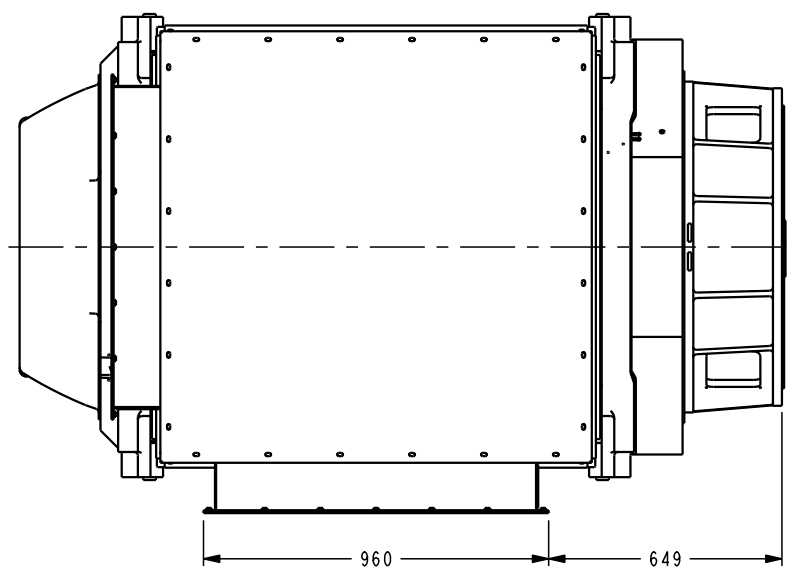
5mm THK ALUMINIUM GLAND PLATE

16 HOLES Ø14 THRO' EQUI-SPACED ON A Ø850.9 PCD.

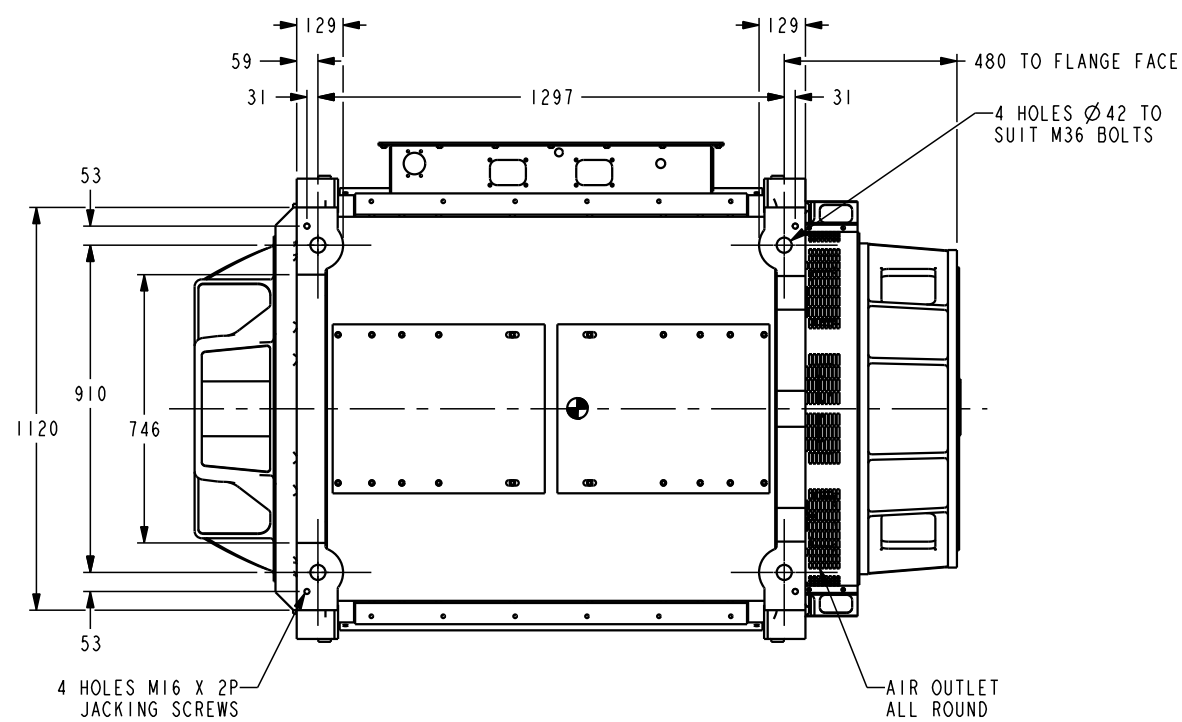
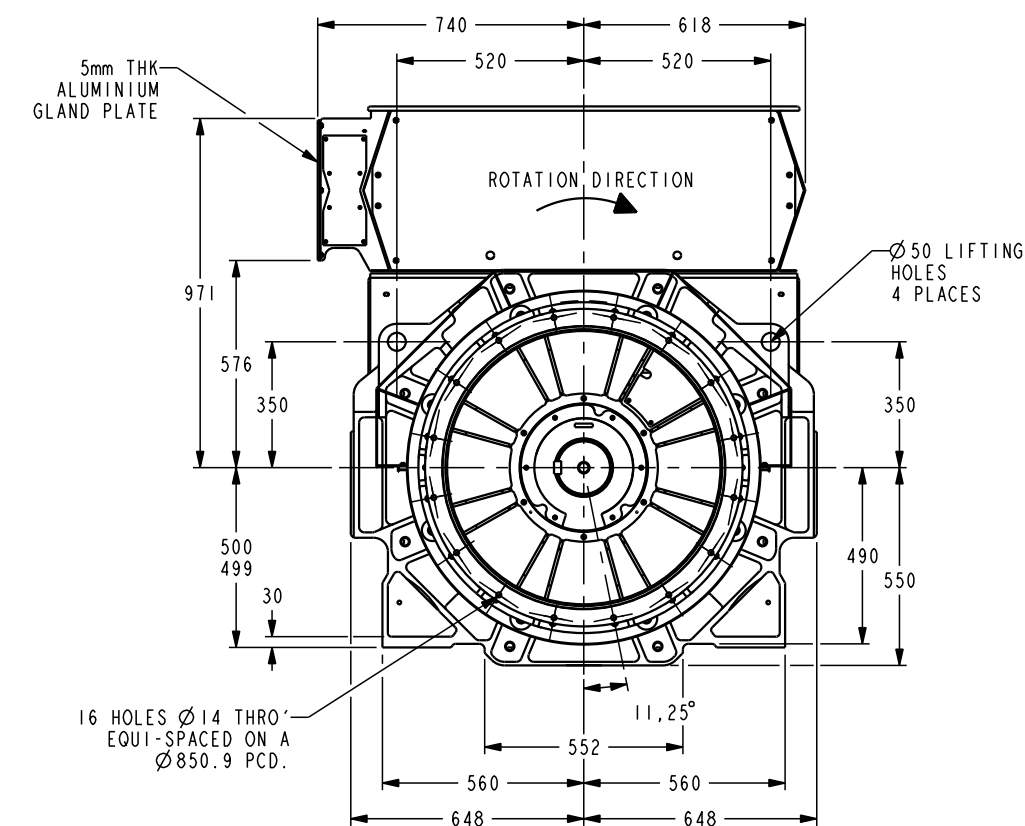
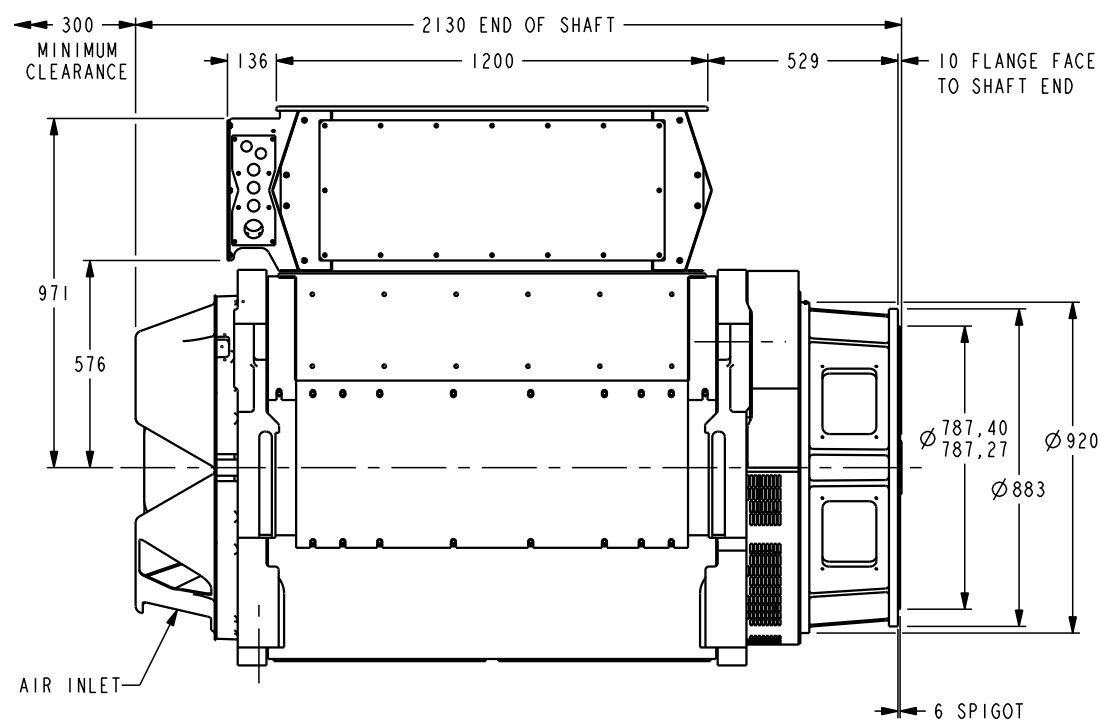
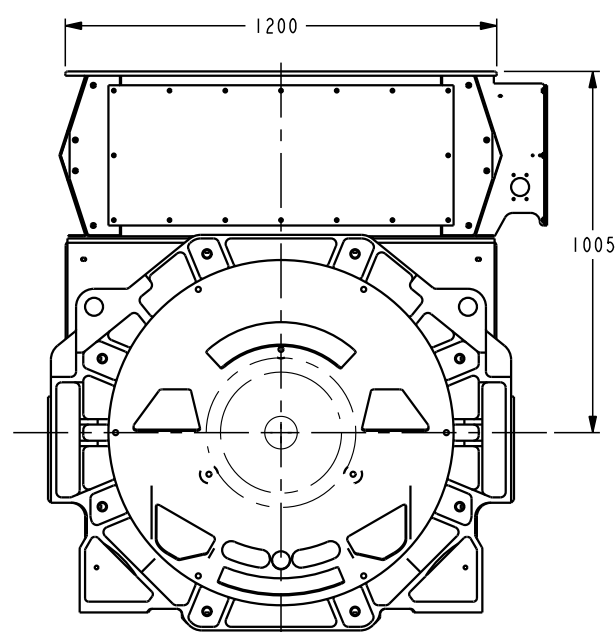
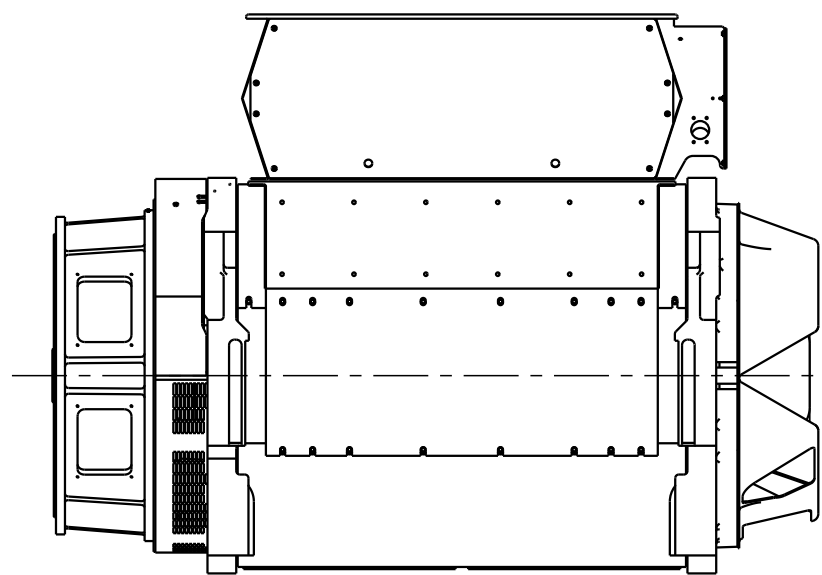


NOMINAL WEIGHT BASED ON CAD MODEL:6206KG NOT FOR INSPECTION

UNLESS OTHERWISE SPECIFIED, ALL DIMENSIONS ARE IN MILLIMETERS	SIM TO	DWN I. MUGHAL		CUMMINS GENERATOR TECHNOLOGIES	
	DO NOT SCALE PRINT	CKD I. MUGHAL		DRAWING, GENERAL ASSEMBLY	
SCALE 1:10		APVD R. MACMENEMEY	SITE CODE	P80 MV T CORE / INTEGRATED FEET / SAE00	
THIS DOCUMENT (AND THE INFORMATION SHOWN THEREON) IS CONFIDENTIAL AND PROPRIETARY AND SHALL NOT BE DISCLOSED TO OTHERS IN HARD COPY OR ELECTRONIC FORM, REPRODUCED BY ANY MEANS, OR USED FOR ANY PURPOSE WITHOUT WRITTEN CONSENT OF CUMMINS INC.	FOR INTERPRETATION OF DIMENSIONING AND TOLERANCING, SEE ASME Y14.5-2009	DATE 11SEP07	STA	DWG SIZE A2	80-2404
	FIRST USED ON				CAD SHEET 1 of 2



2 BEARING SHAFT DETAIL  
SCALE 1:5



NOMINAL WEIGHT BASED ON CAD MODEL:6206KG NOT FOR INSPECTION

UNLESS OTHERWISE SPECIFIED, ALL DIMENSIONS ARE IN MILLIMETERS	DO NOT SCALE PRINT	DESIGNER: I. MUGHAL	APPD: I. MUGHAL	<b>CUMMINS GENERATOR TECHNOLOGIES</b> DRAWING, GENERAL ASSEMBLY P80 MW 1 CORE / INTEGRATED FEET / SAE80
SCALE: 1:10	DATE: 11 SEP 17	APPD: R. MACMENEY	DATE: 11 SEP 17	
<small>THIS DOCUMENT IS THE PROPERTY OF CUMMINS GENERATOR TECHNOLOGIES. IT IS TO BE USED ONLY FOR THE PROJECT AND SITE FOR WHICH IT WAS PREPARED. IT IS NOT TO BE REPRODUCED, COPIED, OR TRANSMITTED IN ANY FORM OR BY ANY MEANS, WITHOUT THE WRITTEN PERMISSION OF CUMMINS.</small>		SITE CODE: P80 MW 1 CORE / INTEGRATED FEET / SAE80	STA: AO	80-2404 2 of 2