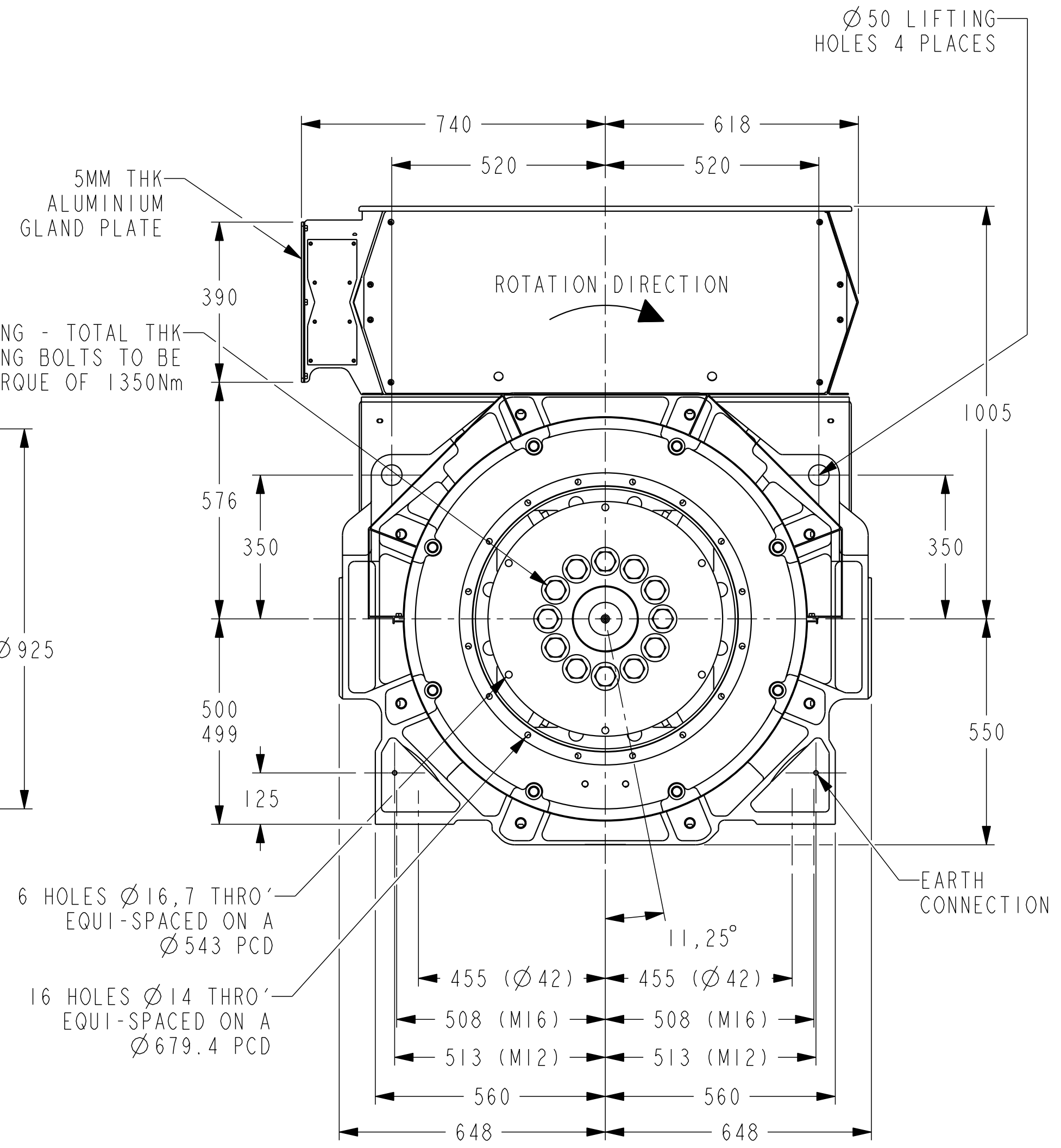
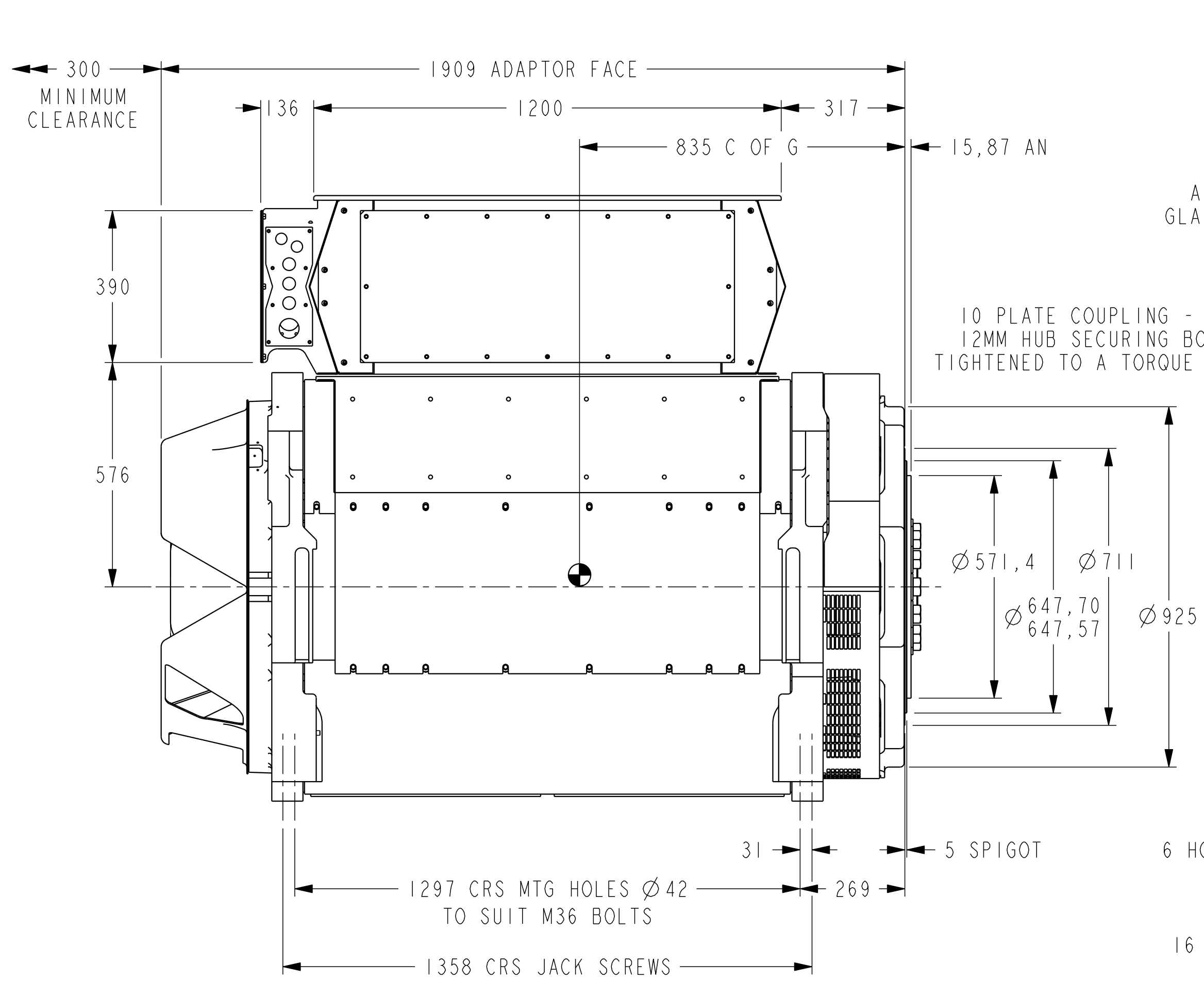
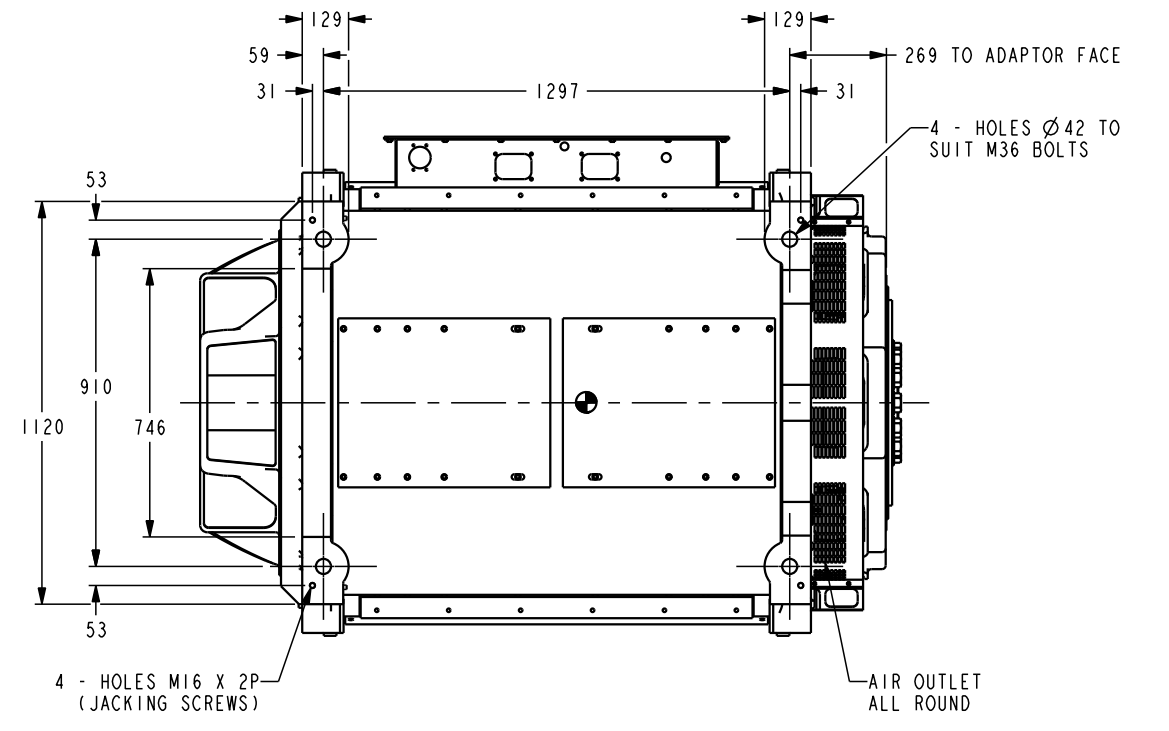
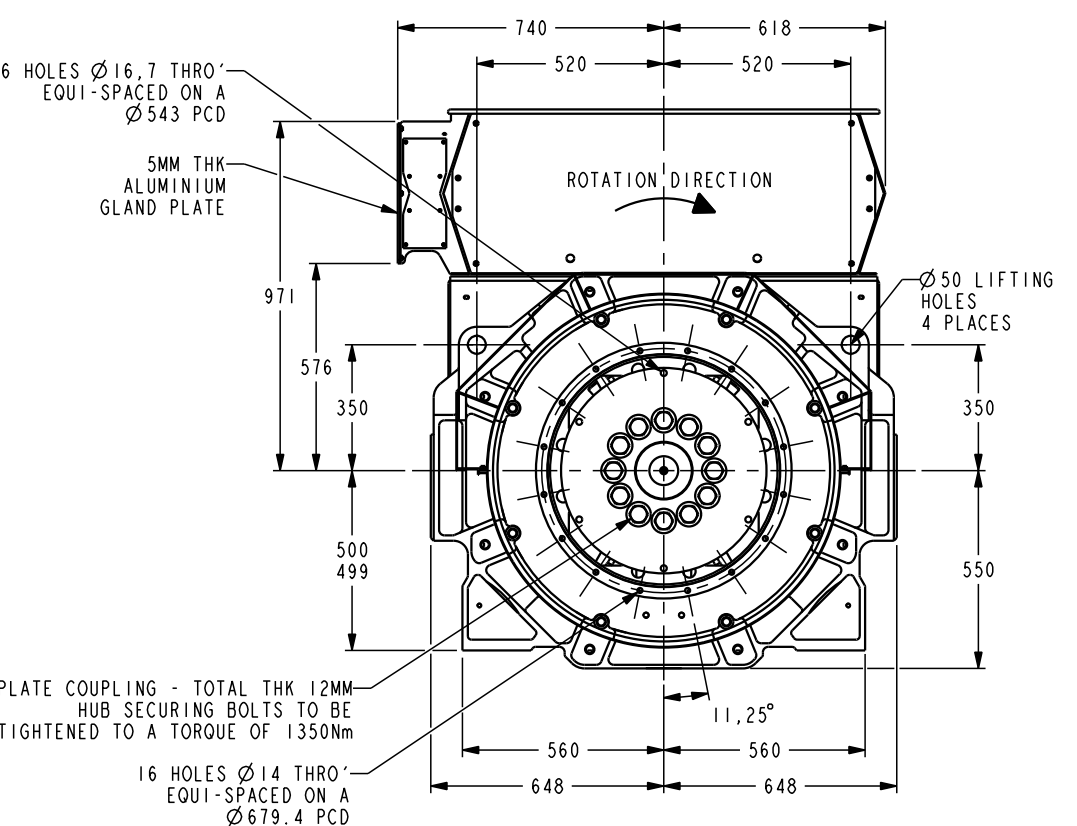
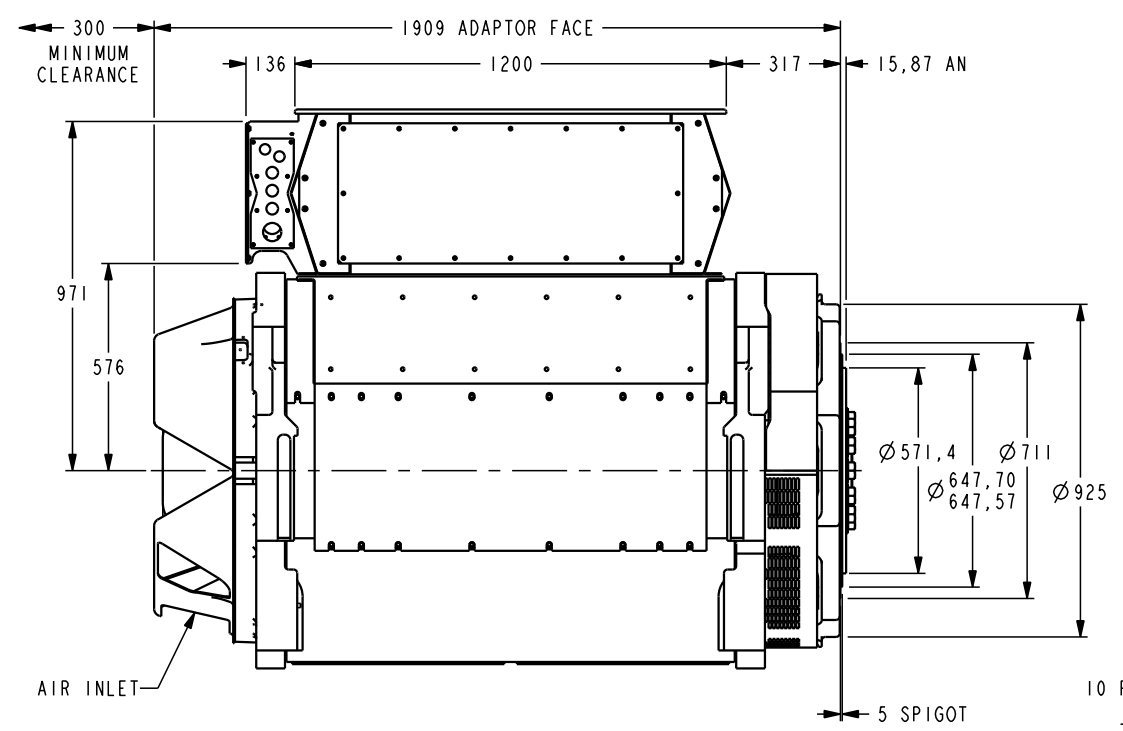
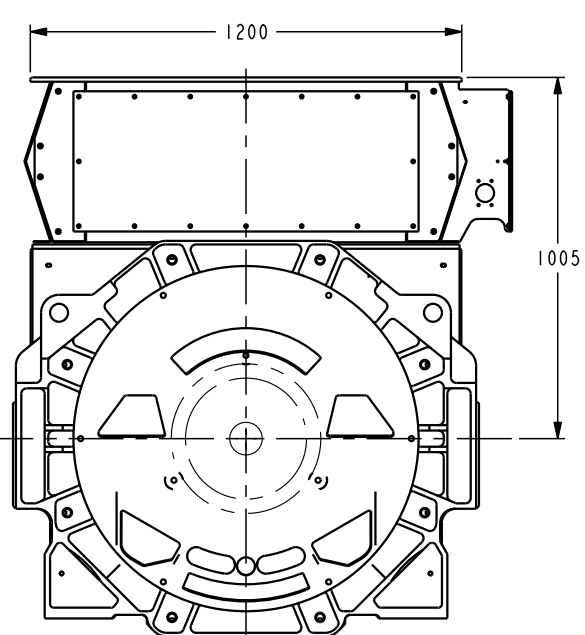
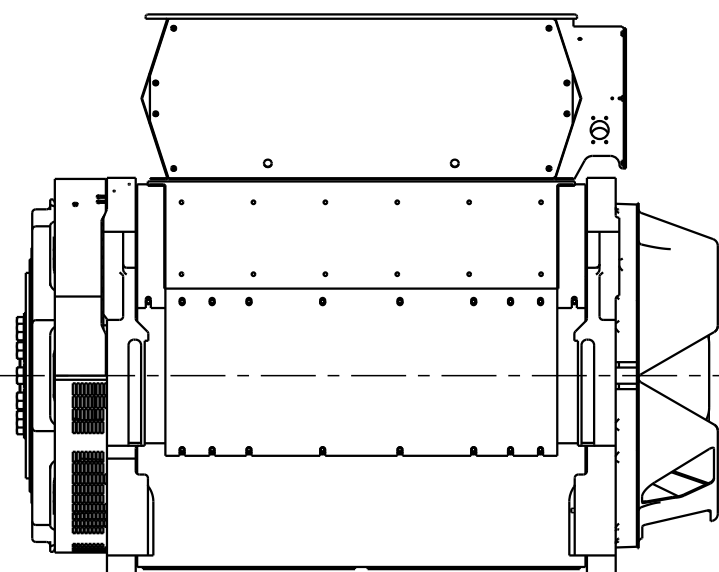
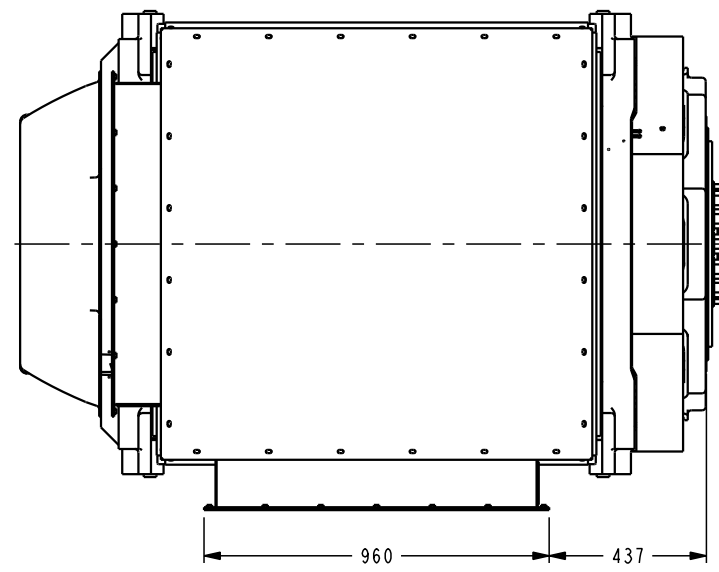


REL NO	REV	NO	REVISION	DWN	CKD	APVD	DATE
ECO-170607	B	1	DRAWING BORDER AND DIMENSIONING SCHEME UPDATED	AS	AS	D.LEE	20JUN17



NOMINAL WEIGHT BASED ON CAD MODEL: 5701KG NOT FOR INSPECTION

UNLESS OTHERWISE SPECIFIED, ALL DIMENSIONS ARE IN MILLIMETERS	SIM TO	DWN A. SAVILL		CUMMINS GENERATOR TECHNOLOGIES	
	DO NOT SCALE PRINT	CKD A. SHAWYER		DRAWING, GENERAL ASSEMBLY	
SCALE 1:10		APVD R. JACKSON	SITE CODE	P80 HV S CORE / INTEGRATED FOOT / SAE 0/18	
THIS DOCUMENT (AND THE INFORMATION SHOWN THEREON) IS CONFIDENTIAL AND PROPRIETARY AND SHALL NOT BE DISCLOSED TO OTHERS IN HARD COPY OR ELECTRONIC FORM, REPRODUCED BY ANY MEANS, OR USED FOR ANY PURPOSE WITHOUT WRITTEN CONSENT OF CUMMINS INC.	FOR INTERPRETATION OF DIMENSIONING AND TOLERANCING, SEE ASME Y14.5-2009	DATE 04JUN09	FIRST USED ON	DWG SIZE A2	80-2464
				STA	CAD SHEET 1 of 2



NOMINAL WEIGHT BASED ON CAD MODEL: 5701KG NOT FOR INSPECTION

UNLESS OTHERWISE SPECIFIED, ALL DIMENSIONS ARE IN MILLIMETERS	DO NOT SCALE PRINT	SCALE 1:10	DESIGNED BY: A. SAVILL	APPD: A. SHAWYER	DATE: 04 JUN 09	STA: AO	80-2464
CUMMINS GENERATOR TECHNOLOGIES			DRAWING, GENERAL ASSEMBLY		P80 HV 5 CORE / INTEGRATED FOOT / SAE 0/18		2 of 2