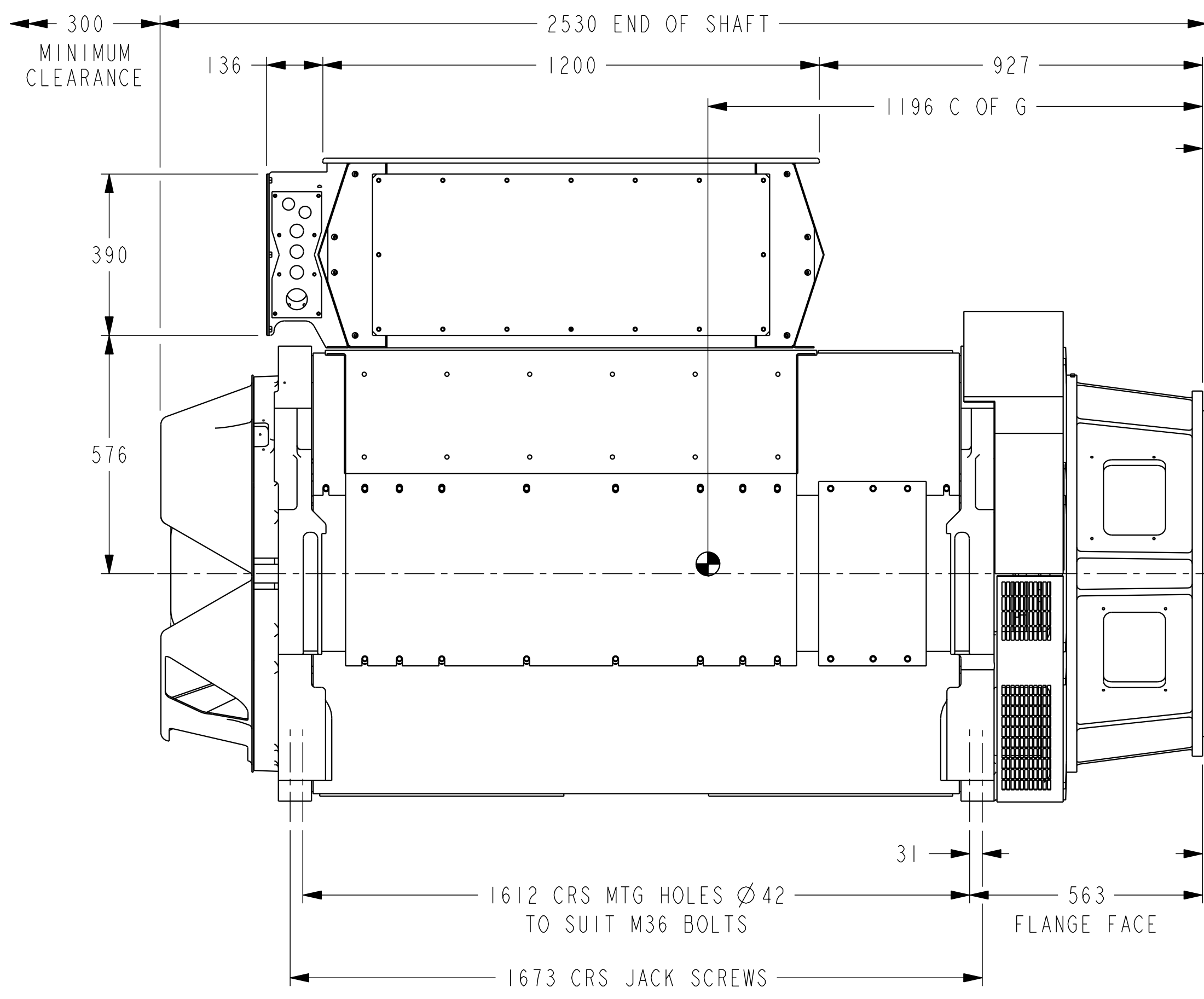
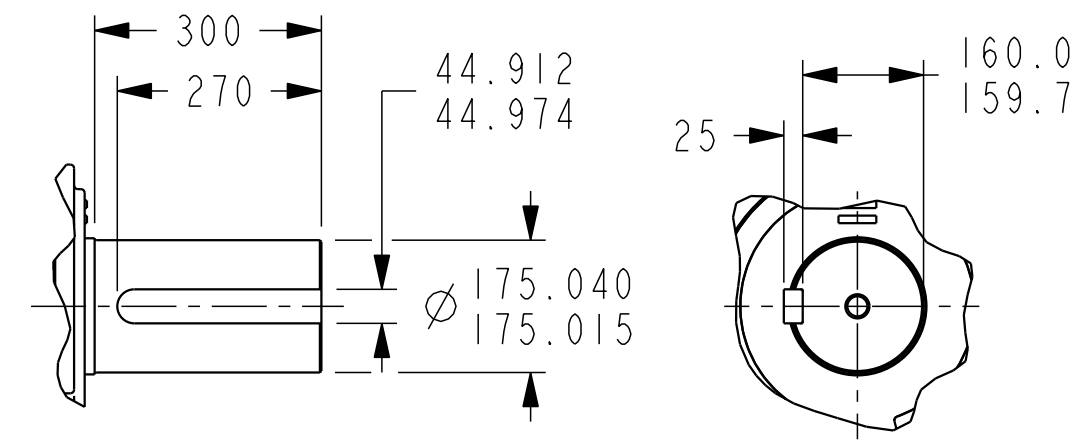


REL NO	REV	NO	REVISION	DWN	CKD	APVD	DATE
ECO-164866	B	1	DRAWING BORDER AND DIMENSIONING UPDATED.	AS	AS	D.LEE	20SEP16



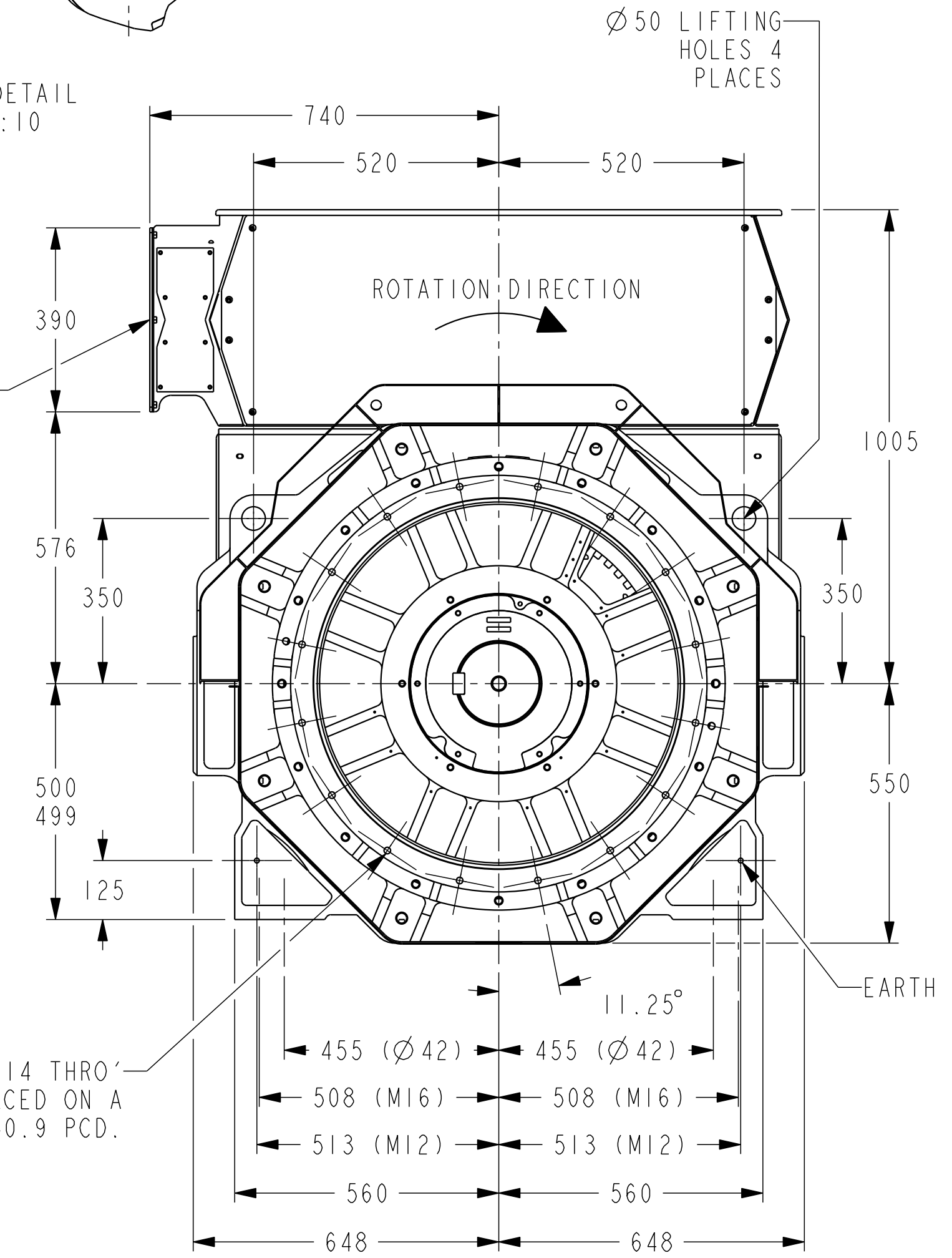
2 BEARING DETAIL SCALE 1:10

10 FLANGE FACE TO SHAFT END

5mm THK ALUMINIUM GLAND PLATE

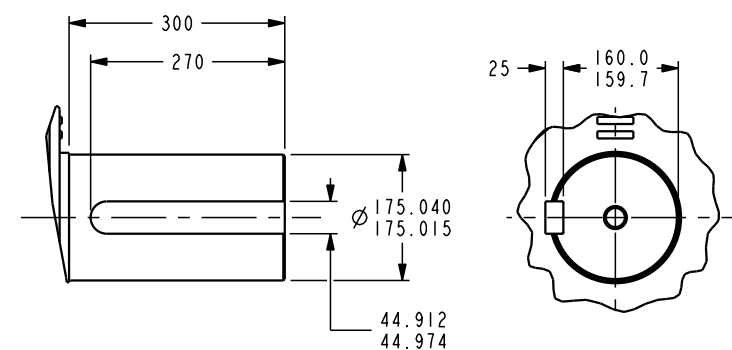
Ø 787.40
787.27

Ø 883

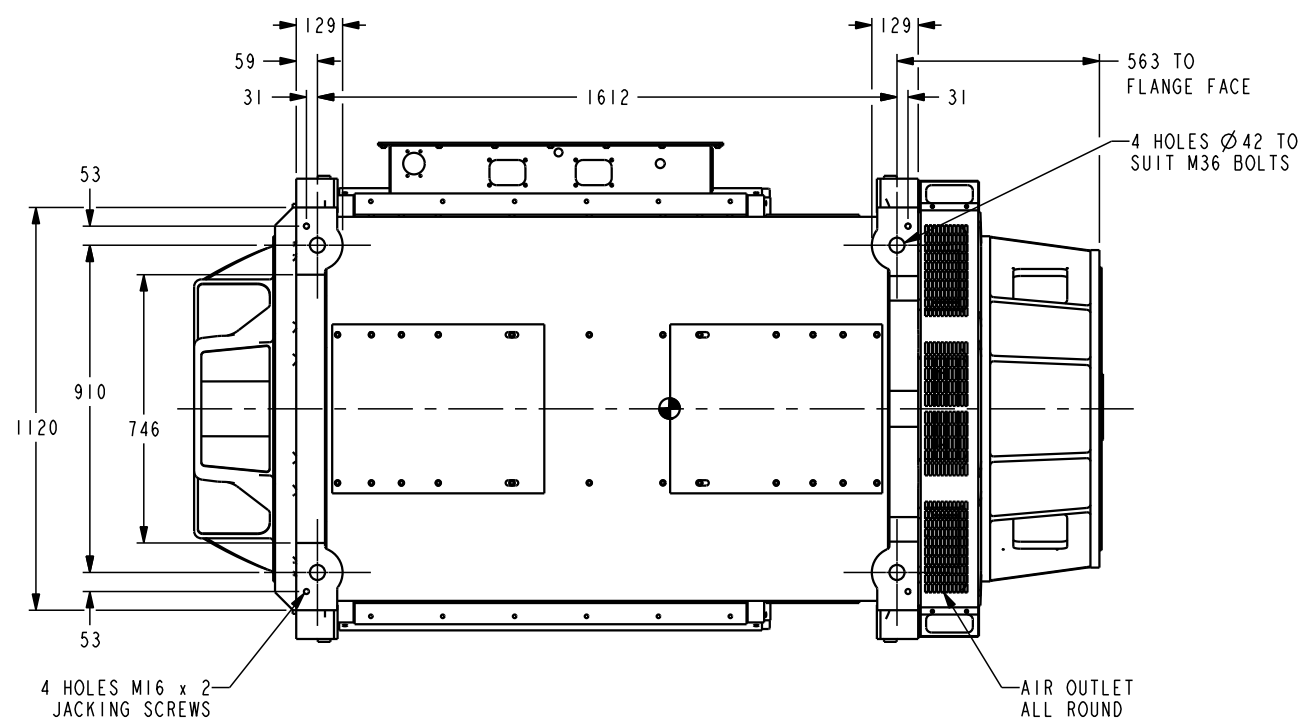
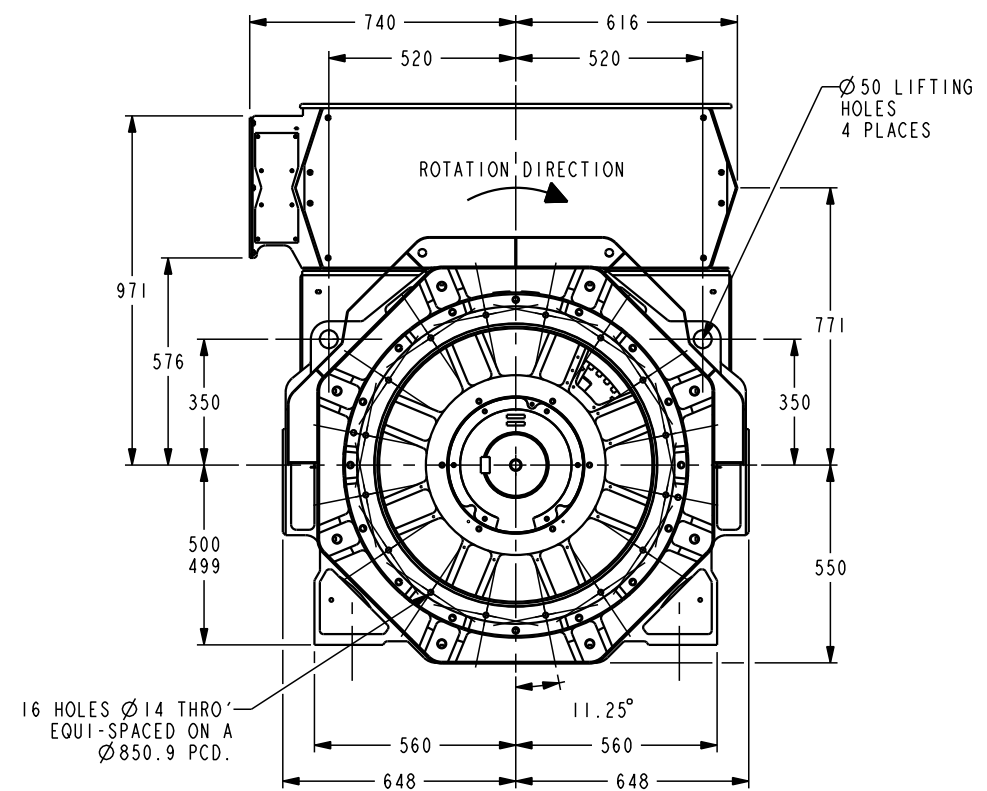
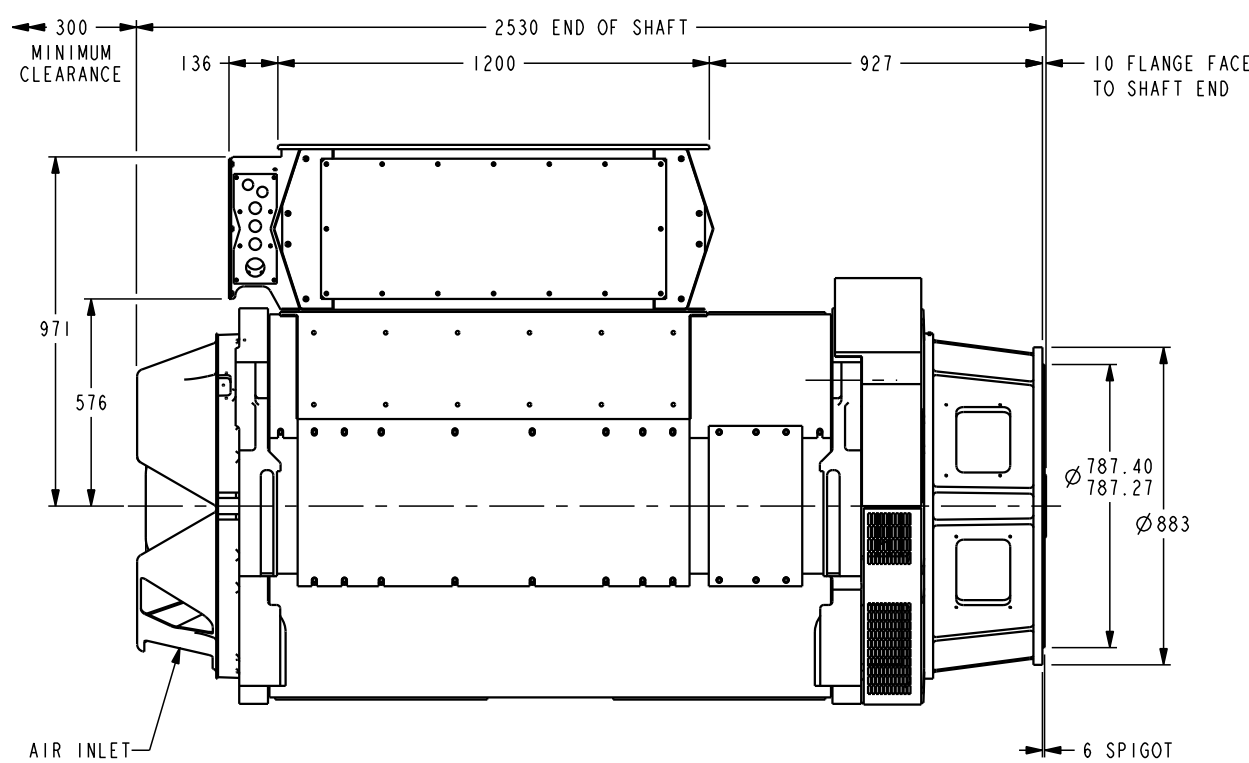
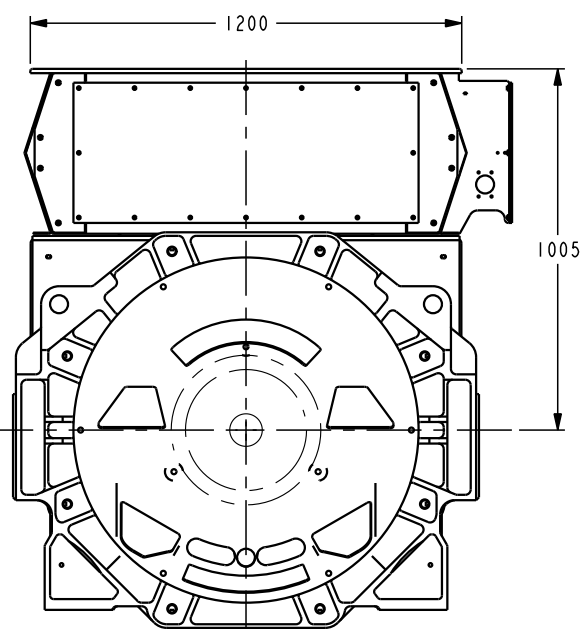
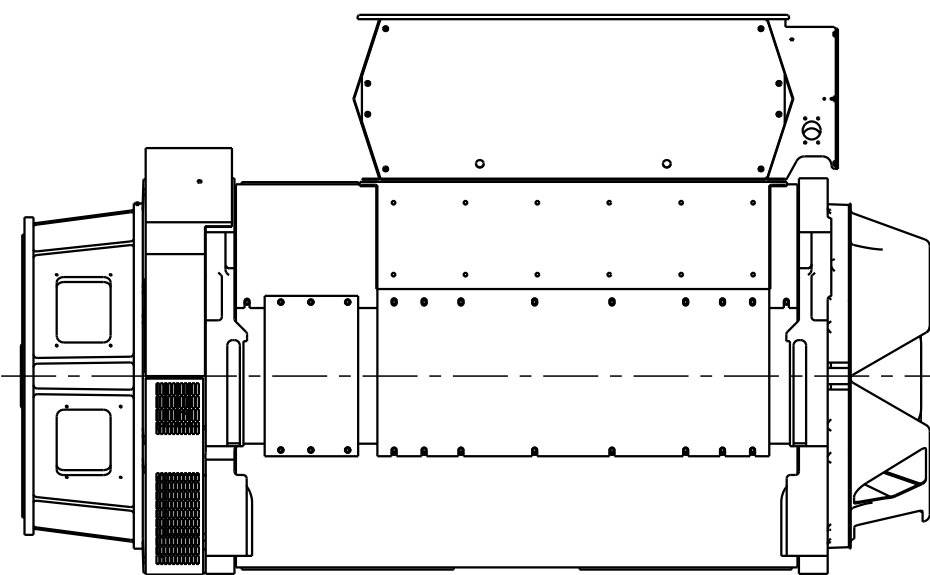
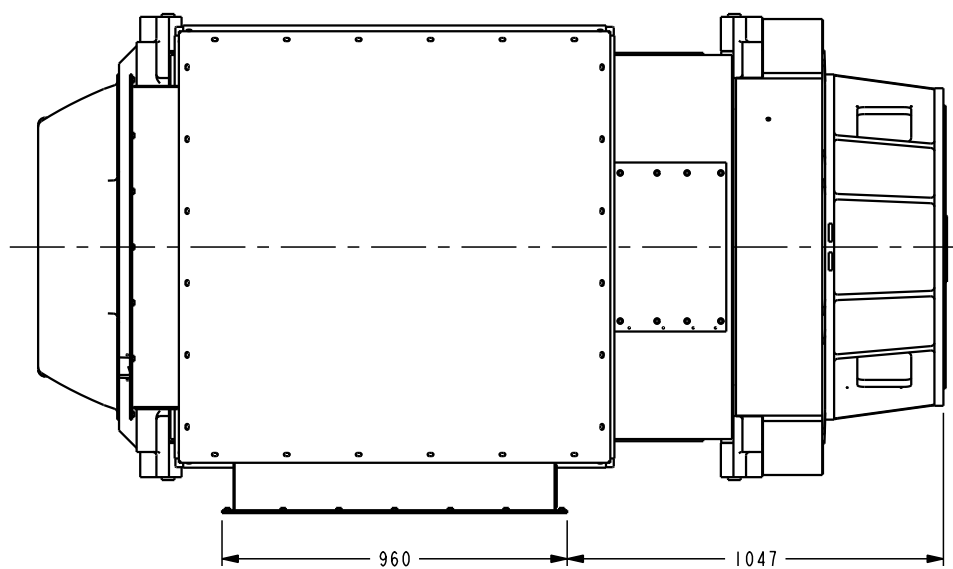


NOMINAL WEIGHT BASE ON CAD MODEL 8151KG; NOT FOR INSPECTION

UNLESS OTHERWISE SPECIFIED, ALL DIMENSIONS ARE IN MILLIMETERS SCALE 1:10	SIM TO N/A	DWN A. SHAWYER		CUMMINS GENERATOR TECHNOLOGIES	
	DO NOT SCALE PRINT	CKD J. SAUNDERS		DRAWING, GENERAL ASSEMBLY	
THIS DOCUMENT (AND THE INFORMATION SHOWN THEREON) IS CONFIDENTIAL AND PROPRIETARY AND SHALL NOT BE DISCLOSED TO OTHERS IN HARD COPY OR ELECTRONIC FORM, REPRODUCED BY ANY MEANS, OR USED FOR ANY PURPOSE WITHOUT WRITTEN CONSENT OF CUMMINS INC.		APVD R. MACMENEMEY	SITE CODE	P80 HV W CORE / INTEGRATED FOOT / SAE00 ADAPTOR	
		DATE 26MAR08		STA	DWG SIZE A2
FOR INTERPRETATION OF DIMENSIONING AND TOLERANCING, SEE ASME Y14.5-2009		FIRST USED ON N/A			CAD SHEET 1 of 2



2 BEARING SHAFT DETAIL
SCALE 1:5



NOMINAL WEIGHT BASE ON CAD MODEL 8151KG; NOT FOR INSPECTION

UNLESS OTHERWISE SPECIFIED, ALL DIMENSIONS ARE IN MILLIMETERS	DO NOT SCALE PRINT	SCALE 1:10	DATE 26MAR08	STA AO	80-2471	2 OF 2
DESIGNED BY: A. SHAWNER	APPD: J. SAUNDERS	CHKD: R. MACMENEY	DATE 26MAR08	STA AO	80-2471	2 OF 2
CUMMINS GENERATOR TECHNOLOGIES			DRAWING, GENERAL ASSEMBLY P80 HW W CORE / INTEGRATED FOOT / SAE60 ADAPTOR			