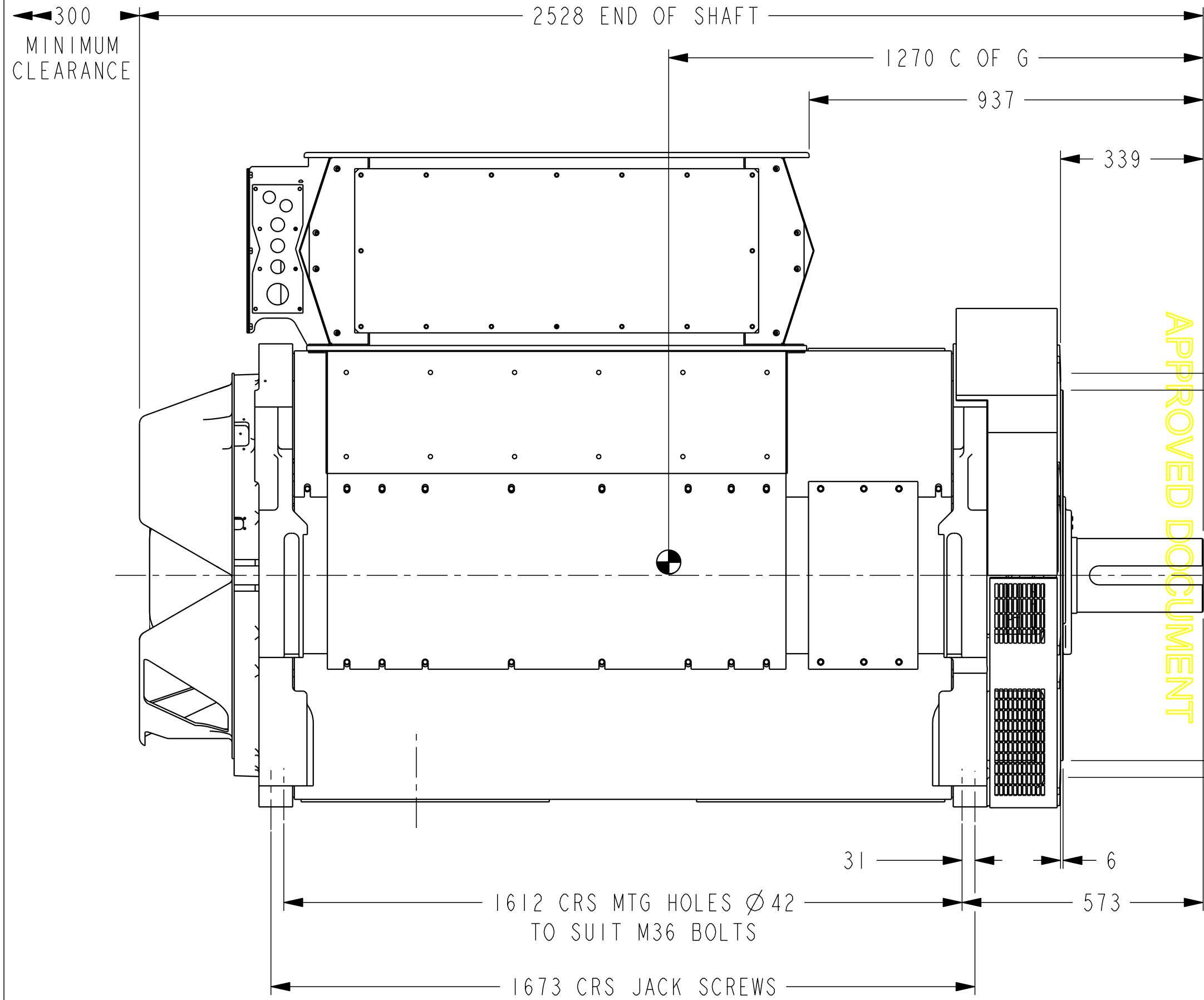
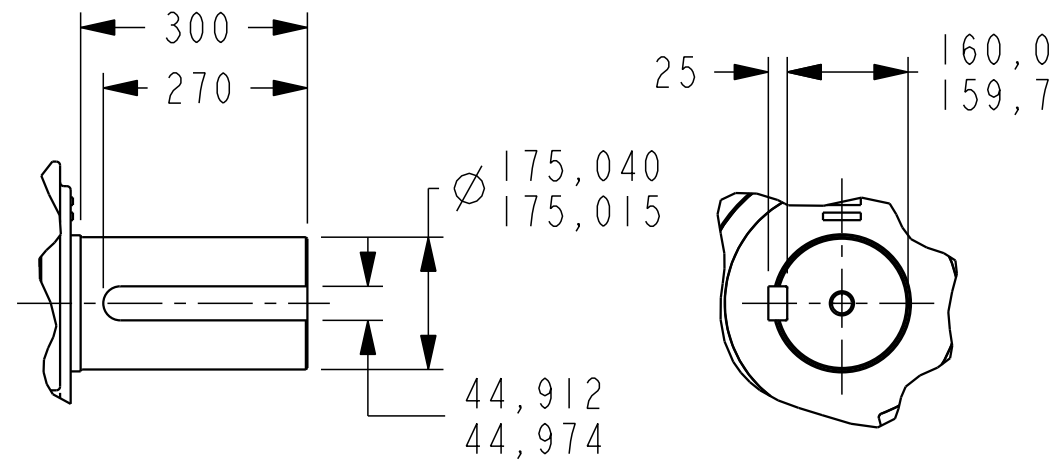


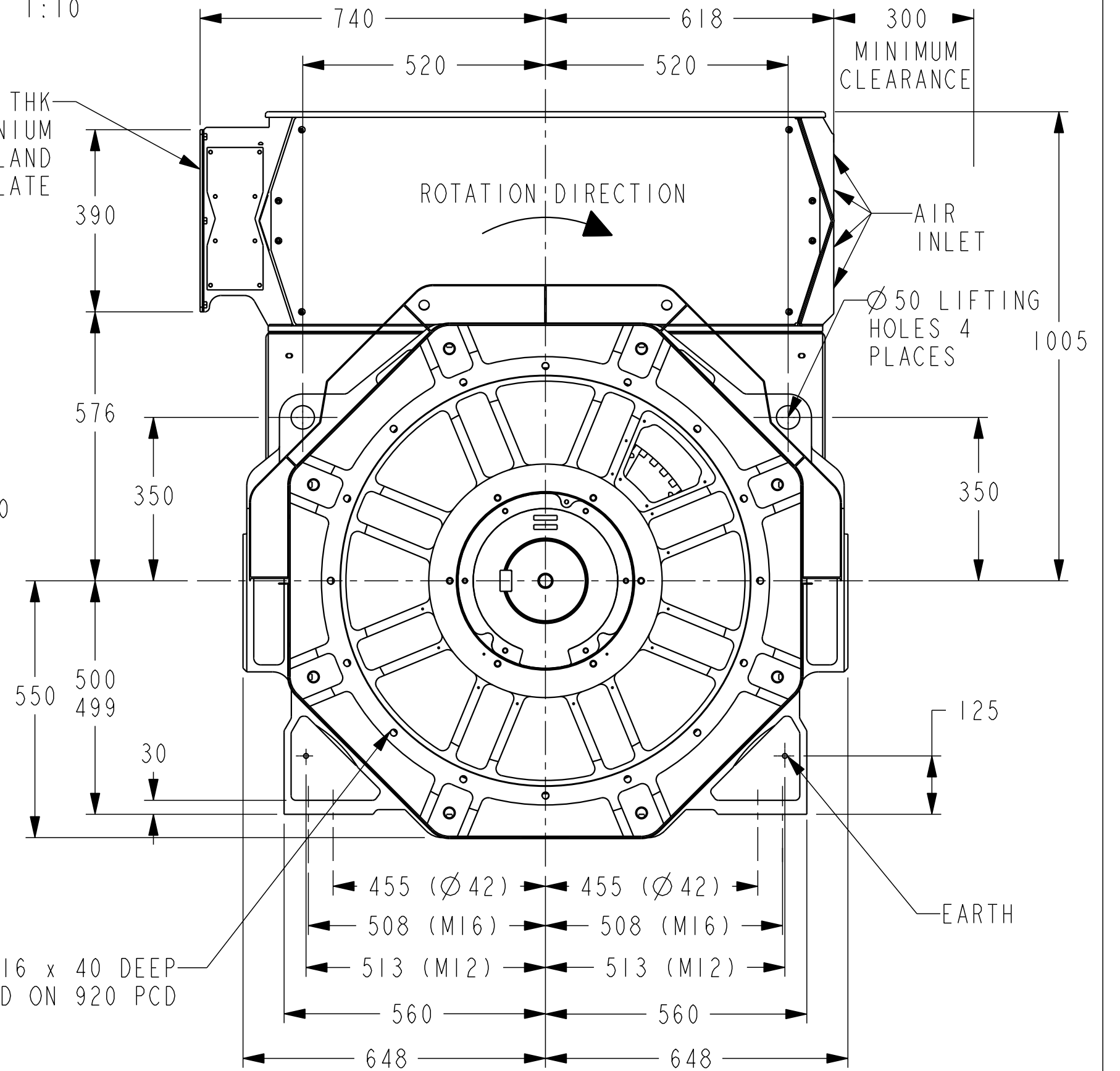
DRG. SIZE C	REL. PHASE P	PART No 80-2472	ISSUE A
----------------	-----------------	--------------------	------------

IF IN DOUBT-ASK
DO NOT SCALE



2 BEARING DETAIL
SCALE 1:10

5MM THK ALUMINIUM GLAND PLATE



APPROVED DOCUMENT

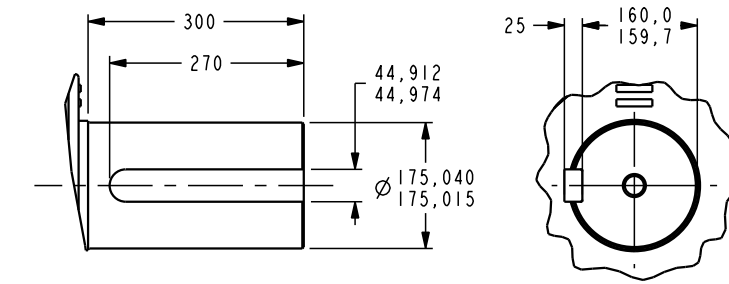
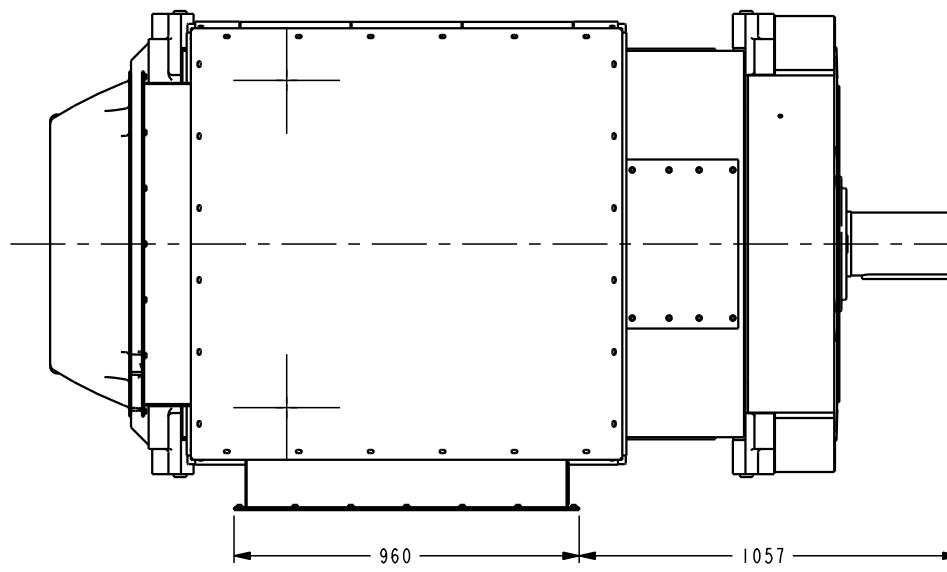
16-HOLES M16 x 40 DEEP
EQUI-SPACED ON 920 PCD

CONFIDENTIAL PROPERTY OF
CUMMINS GENERATOR TECHNOLOGIES LTD

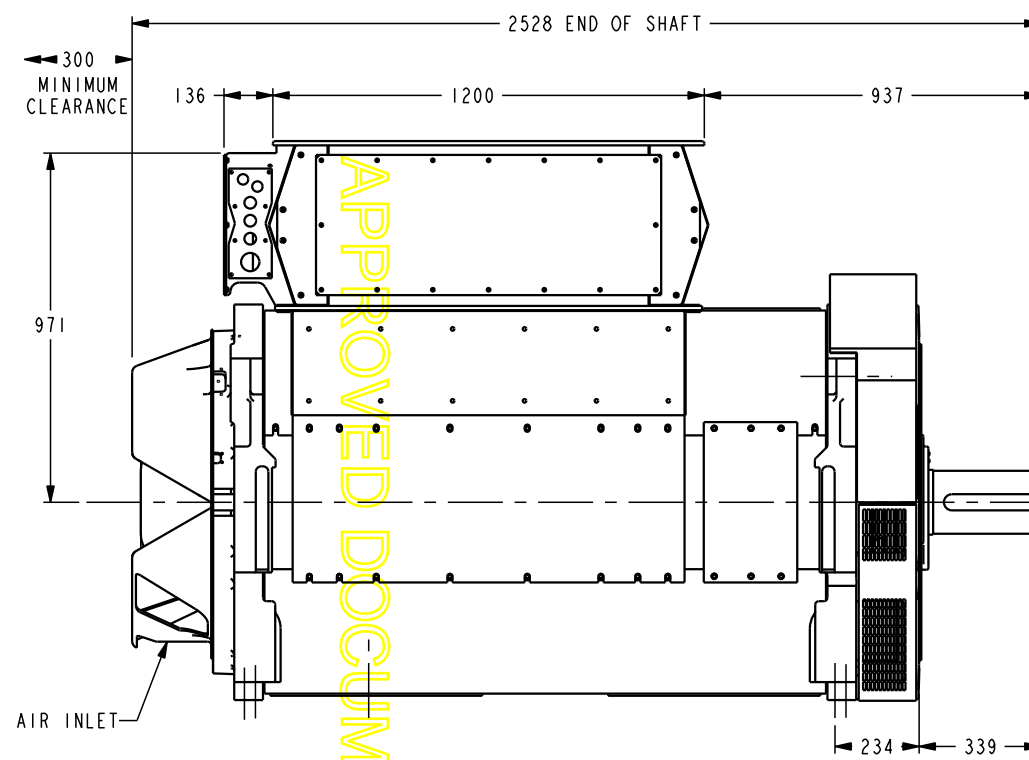
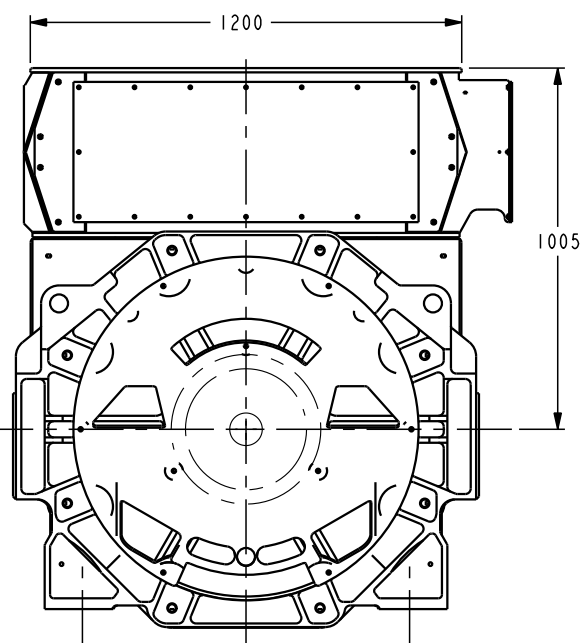
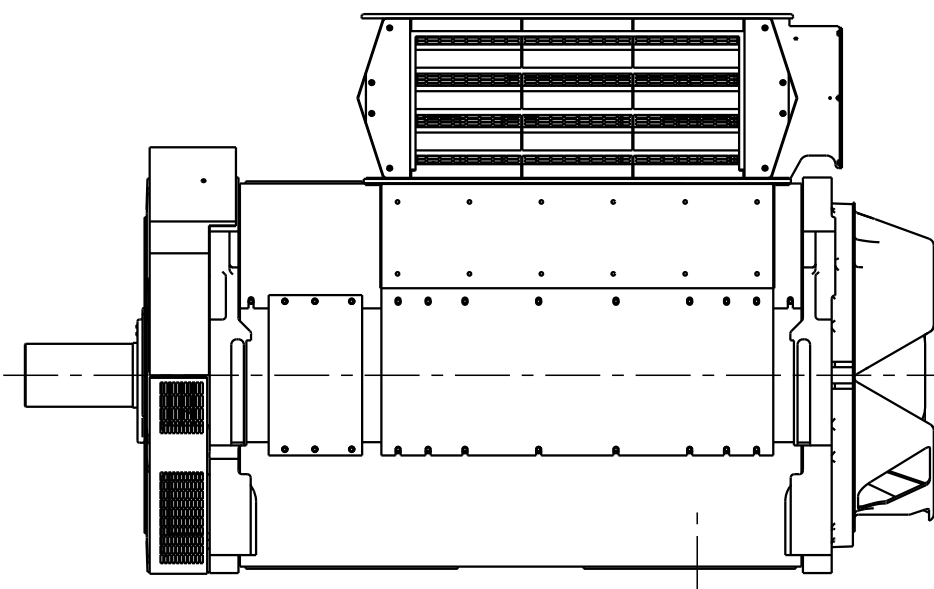
P80 ALTERNATOR LV X CORE
CENTRE HEIGHT = INTEGRAL 500
CONNECTION ADAPTOR NONE

MATERIAL PROPS	-	DIMENSIONS IN MILLIMETRES (MM) AT 20°C	PROJECTION			SCALE 1:10	MATERIAL SEE BOM
FINISH SPEC	-						
GEOMETRY SPEC	-	SURFACE FINISH VALUES IN MICRO METRES	WEIGHT = 8011 KG			DRG. SIZE C	CASTING No -
ASSEMBLY SPEC	-		DRAWN AGS	03/04/08	REL. PHASE P	PART No 80-2472	
PERFORMANCE SPEC	-	UNLIMITED DIMS ± --	CHECKED JWS	04/04/08	REL. PHASE P	SHEET 1 OF 2 SHEETS	
QUALITY SPEC	-		APPROVED R.MAC	04/04/08	Pro/ENGINEER		

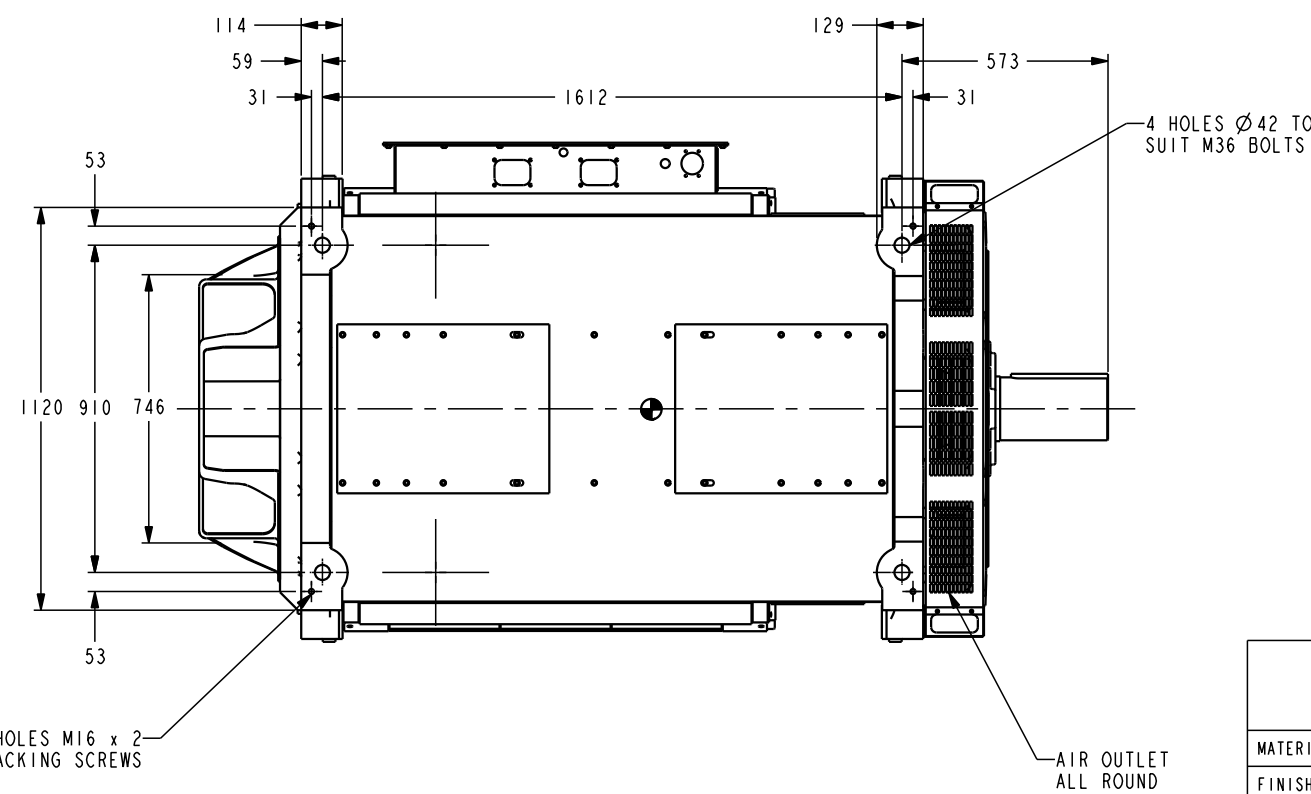
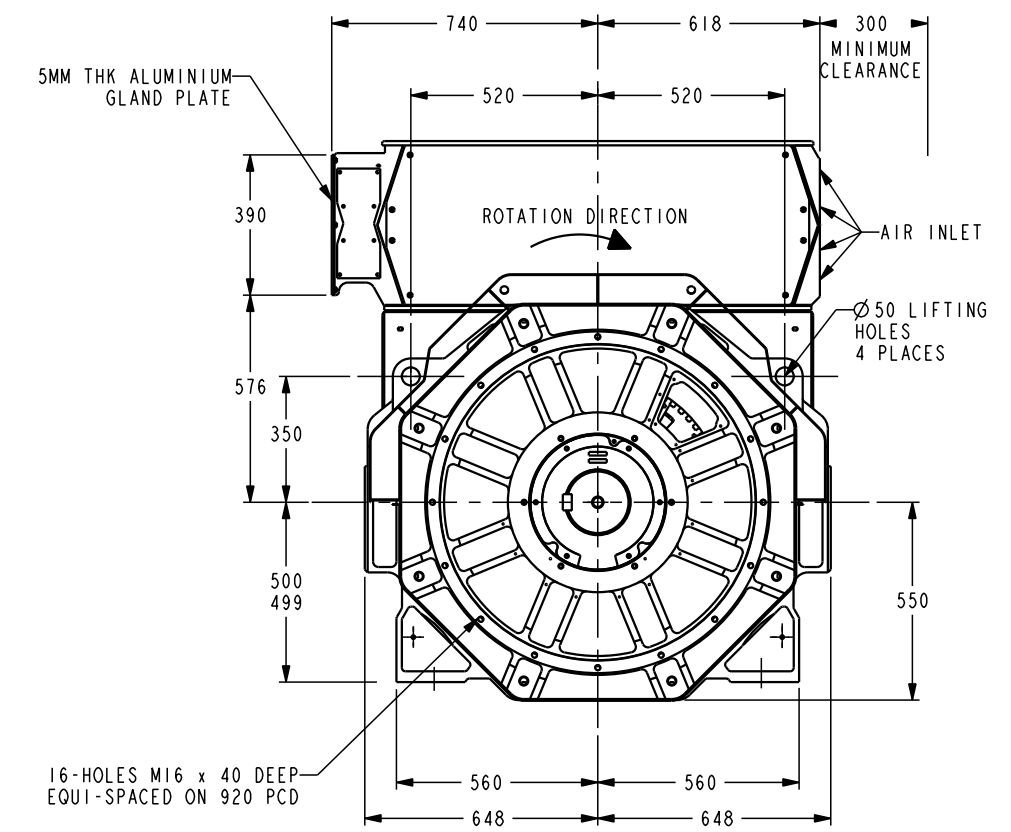
4-9535-01	A	AGS	03/04/08	ORIGINAL ISSUE
MOD.	ISSUE	DRAWN	DATE	MODIFICATION



2 BEARING SHAFT DETAIL
SCALE 1:5



APPROVED DOCUMENT



FRAME	P80
CORE LENGTH	X
VOLTAGE RATING	LV
BEARINGS	2
CENTRE HEIGHT	INTEGRAL 500
ADAPTOR	NONE
COUPLING	NONE
ENCLOSURE	IP23
CABLE ENTRY FROM DE	LEFT

CONFIDENTIAL PROPERTY OF CUMMINS GENERATOR TECHNOLOGIES LTD			P80 ALTERNATOR LV X CORE CENTRE HEIGHT = INTEGRAL 500 CONNECTION ADAPTOR NONE	
MATERIAL PROPS	-	DIMENSIONS IN MILLIMETRES (MM) AT 20°C	PROJECTION	SCALE 1:10
FINISH SPEC	-	SURFACE FINISH VALUES IN MICRO METRES	WEIGHT = 8011.268 KG	DRG. SIZE A
GEOMETRY SPEC	-	UNLIMITED DIMS ±	DRAWN AGS 03/04/08	CHECKED JWS 04/04/08
ASSEMBLY SPEC	-		APPROVED R.MAC 04/04/08	REL. PHASE P
PERFORMANCE SPEC	-			ISSUE A
QUALITY SPEC	-			PART No 80-2472
			SHEET 2 OF 2 SHEETS	

4-9535-01	A	AGS	03/04/08	ORIGINAL ISSUE
MOD.	ISSUE	DRAWN	DATE	MODIFICATION