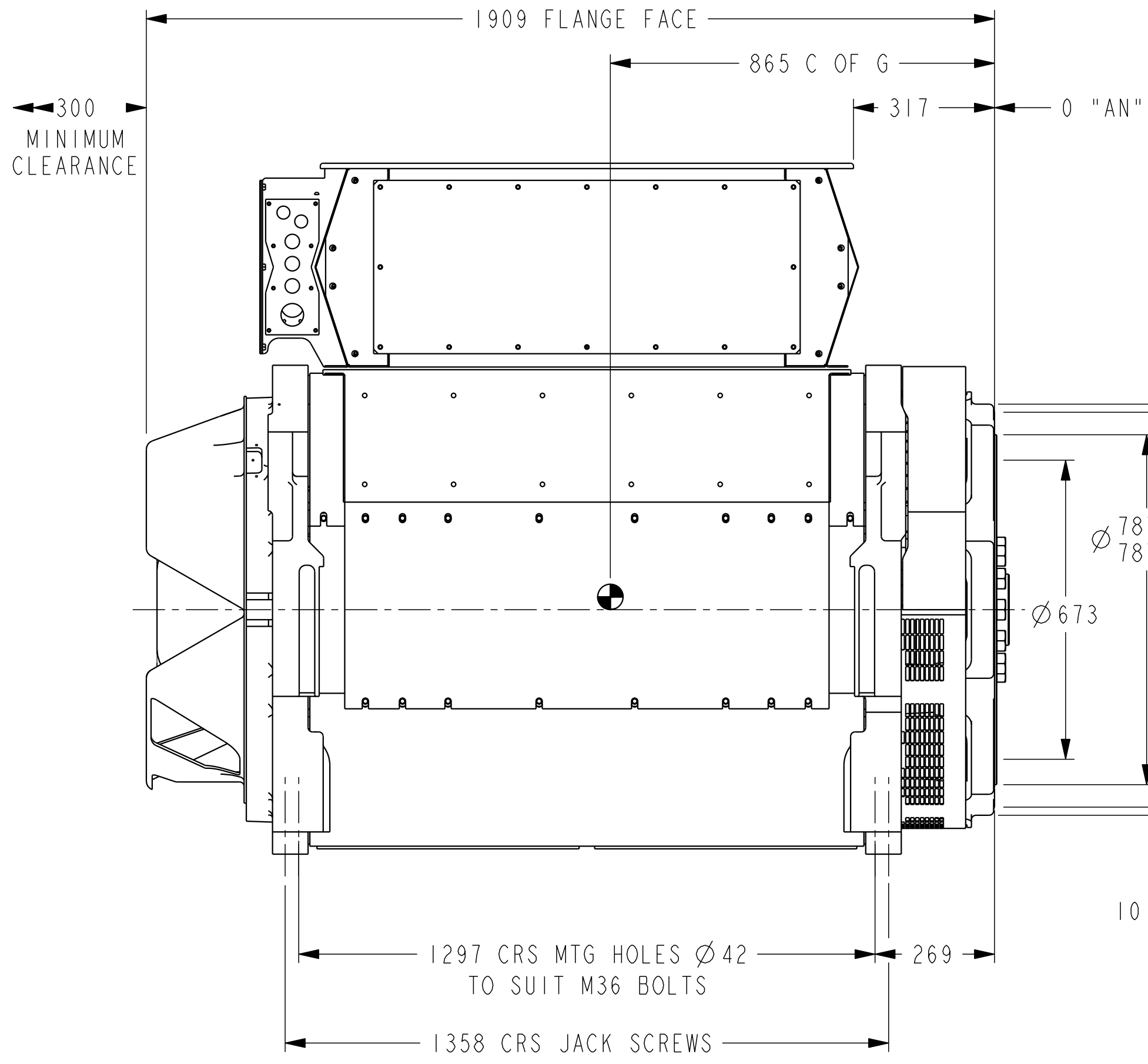


REL NO	REV	DETAIL	DWN	CKD	APVD	DATE
ECO-127114	A	PRODUCTION RELEASE	AGS	JWS	AS	06JUL12

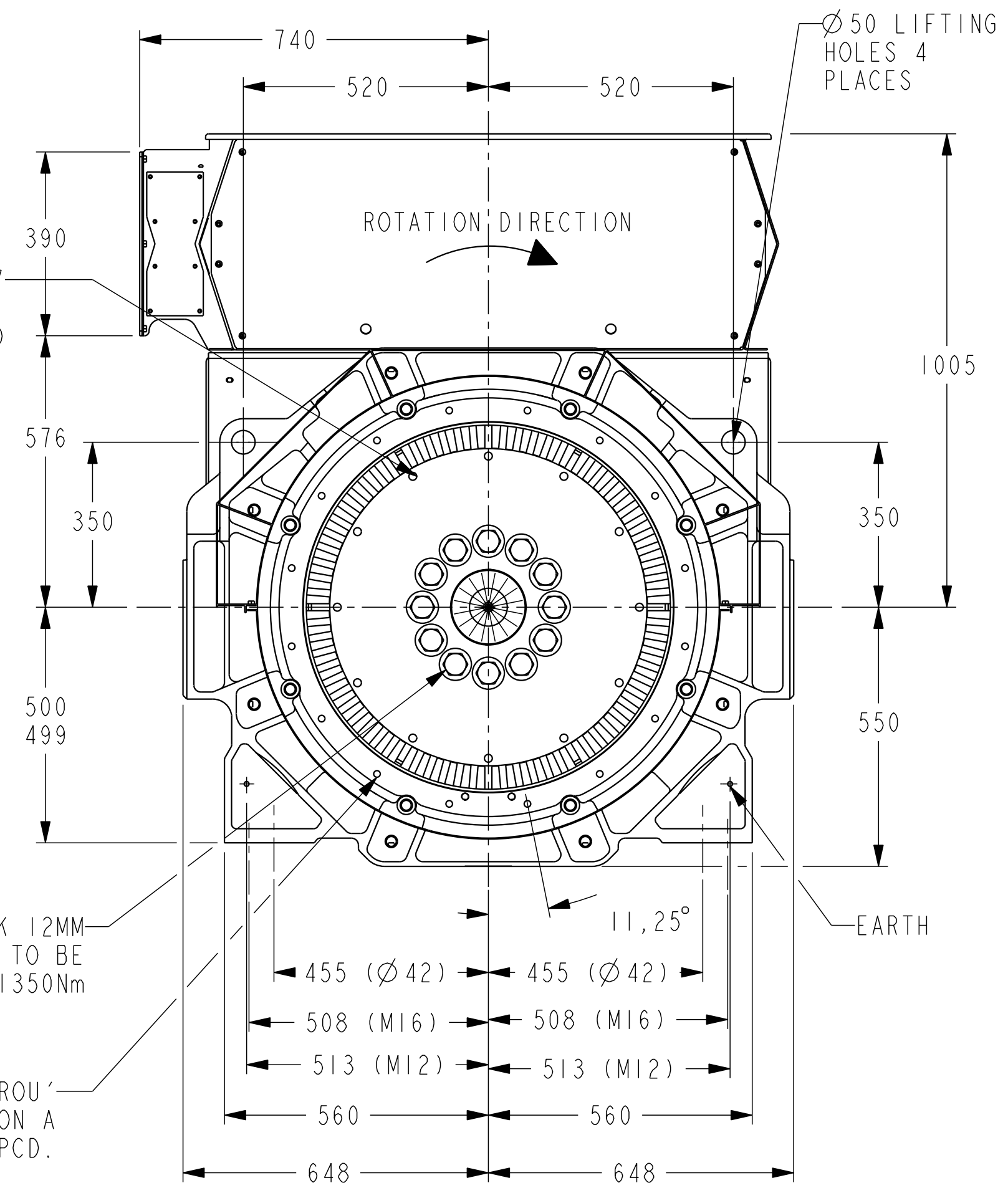


10 PLATE COUPLING - TOTAL THK 12MM
HUB SECURING BOLTS TO BE TIGHTENED TO A TORQUE OF 1350Nm

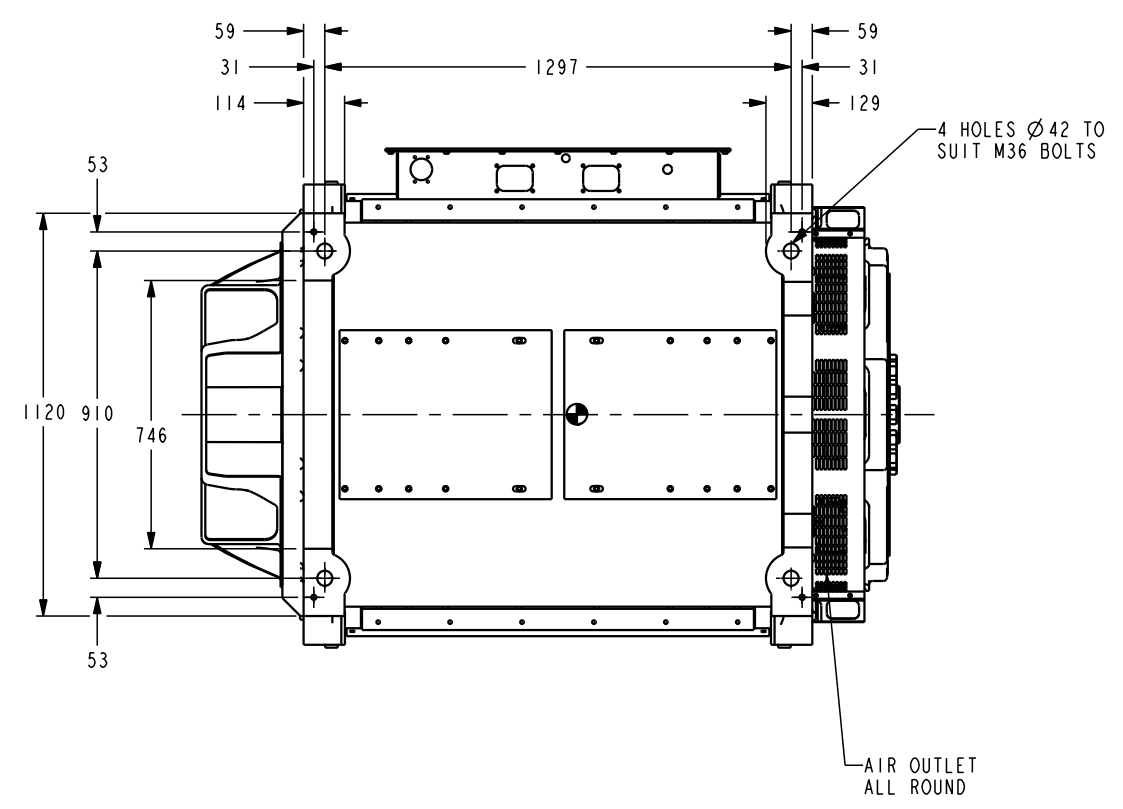
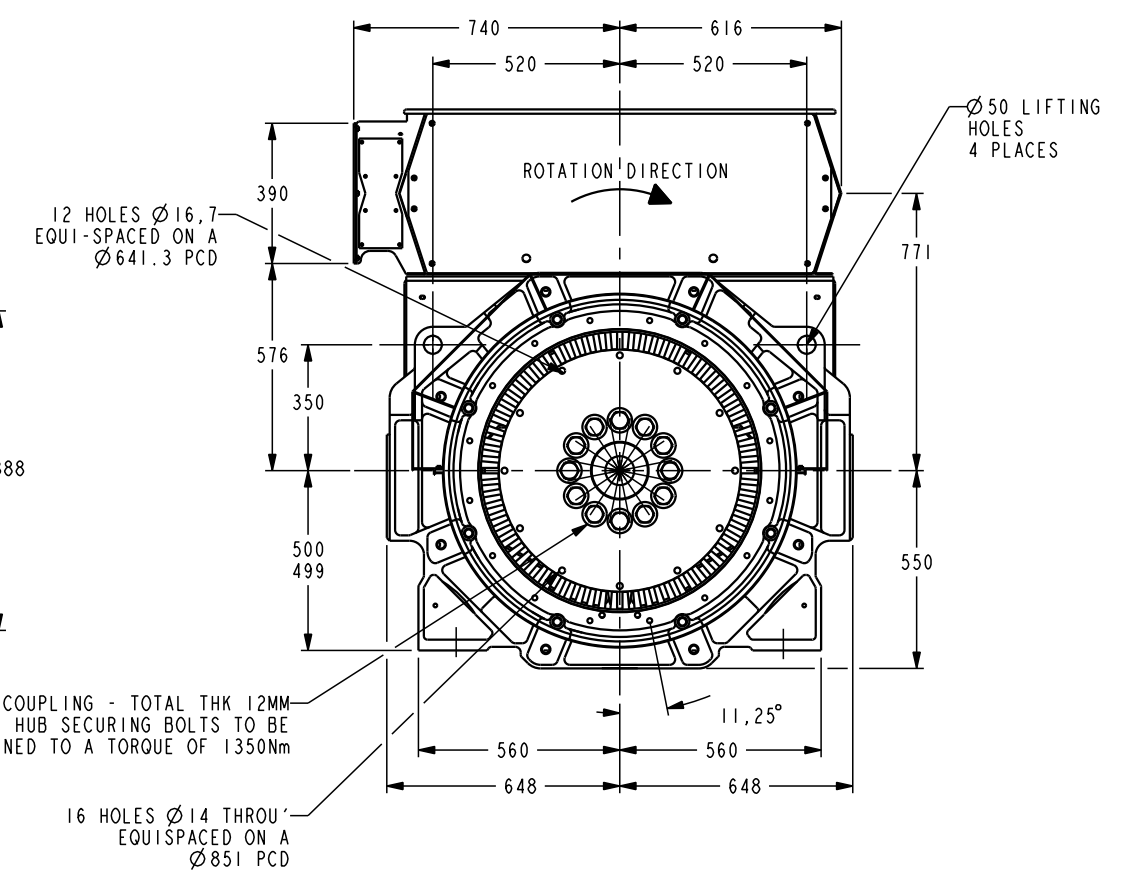
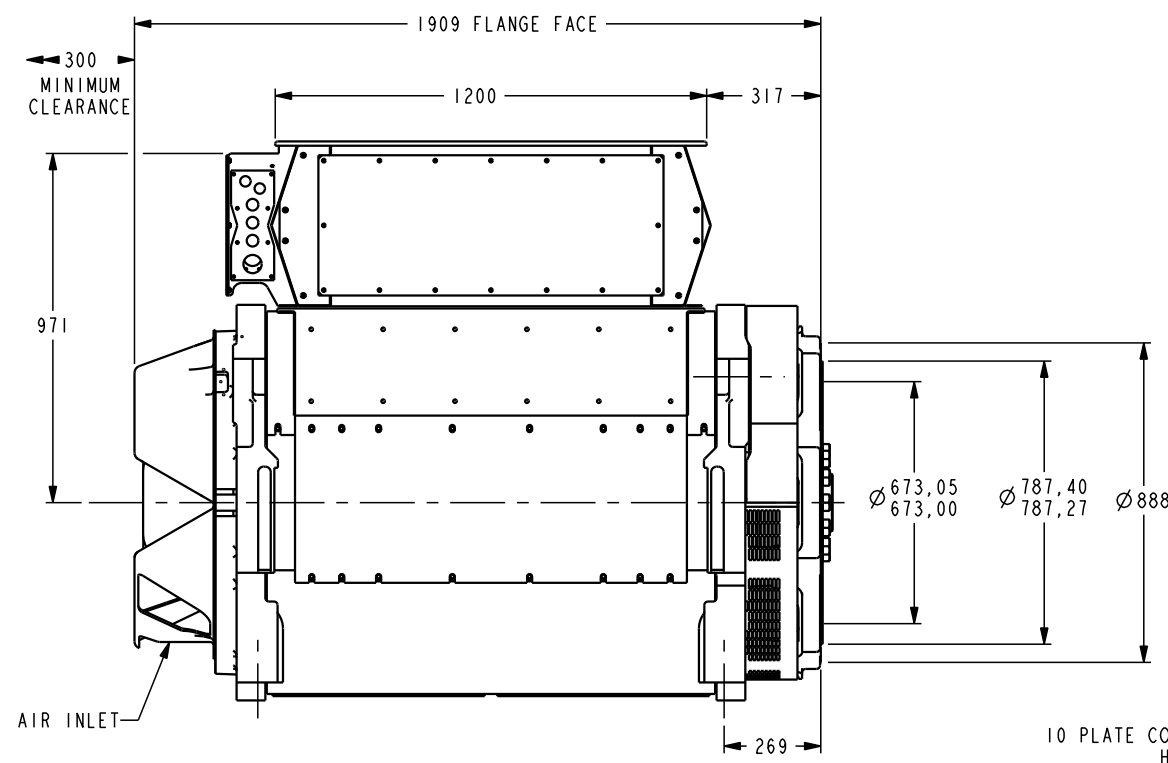
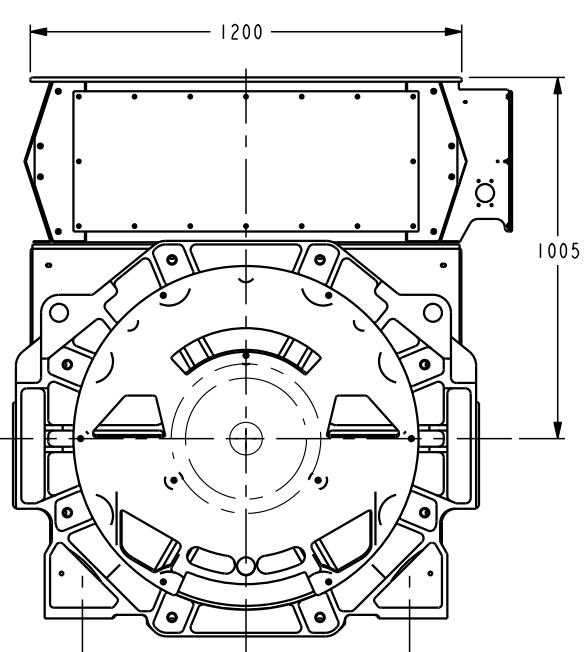
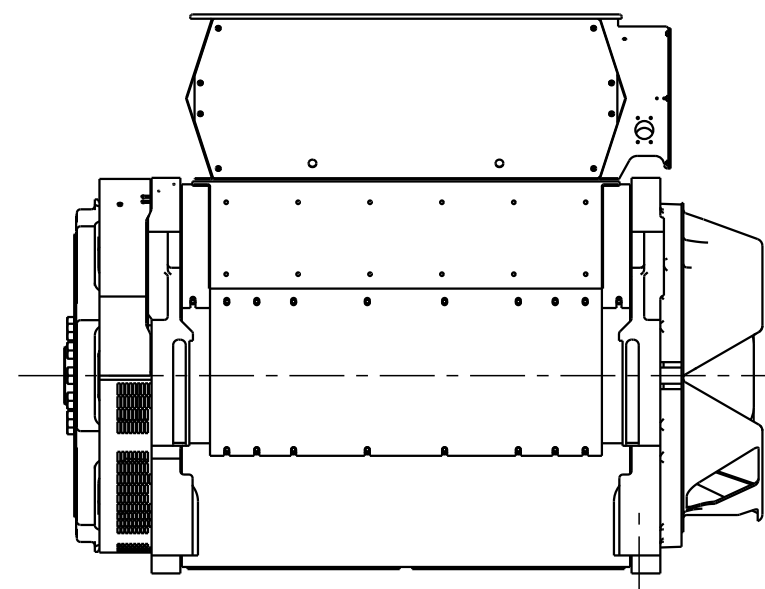
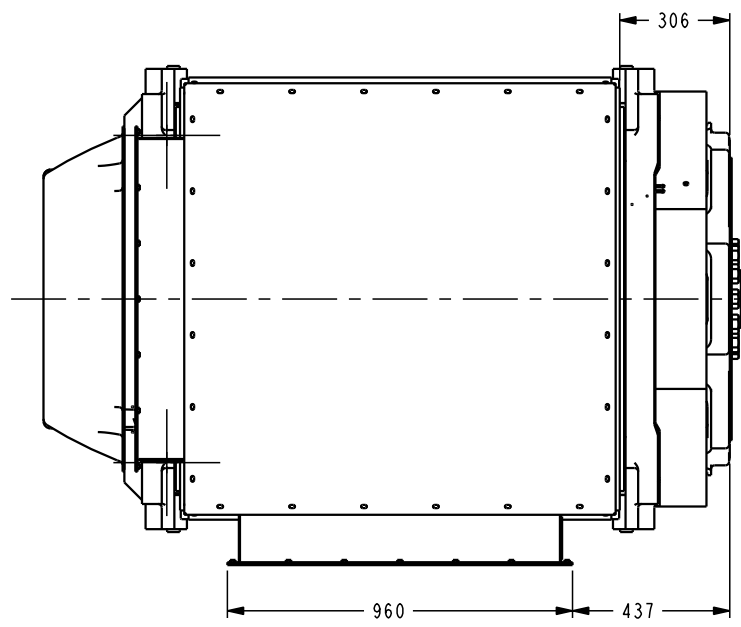
12 HOLES $\phi 16.7$ EQUI-SPACED ON A $\phi 641.3$ PCD

16 HOLES $\phi 14$ THRU' EQUI-SPACED ON A $\phi 851$ PCD.

ESTIMATED WEIGHT 6074kg



UNLESS OTHERWISE SPECIFIED, ALL DIMENSIONS ARE IN MILLIMETERS		SIM TO	DWN AGS		CUMMINS GENERATOR TECHNOLOGIES	
DIM	X ± 1	HOLE	0.00 - 4.99 +0.15/-0.08		DO NOT SCALE PRINT	CKD JWS
	X.X $\pm 0,1$		5.00 - 9.99 +0.20/-0.10		APVD AS	
	X.XX $\pm 0,01$		10.00 - 17.49 +0.25/-0.13		DATE 06 JUL 12	
			17.50 - 24.99 +0.30/-0.13		FIRST USED ON	
ANG TOL:	$\pm 0,5^\circ$	SCALE:	1:10	- CONFIDENTIAL - PROPERTY OF CUMMINS GENERATOR TECHNOLOGIES	FOR INTERPRETATION OF DIMENSIONING AND TOLERANCING, SEE ASME Y14.5M-1994	SITE CODE STA
						DWG SIZE A2
						A043K238
						SHEET 1
						REV A



FRAME	P80
CORE LENGTH	T
VOLTAGE RATING	HV
BEARINGS	I
CENTRE HEIGHT	INTEGRAL 500
ADAPTOR	SAE00
COUPLING	SAE21
ENCLOSURE	IP23
CABLE ENTRY FROM DE	LEFT

ESTIMATED WEIGHT 6074kg

UNLESS OTHERWISE SPECIFIED, ALL DIMENSIONS ARE IN MILLIMETERS		DO NOT SCALE PRINT	AGS	CUMMINS GENERATOR TECHNOLOGIES
X ± 1	0.00-4.99 +0.15/-0.08		CD: JWS	P80 ALTERNATOR HV T CORE CENTRE HEIGHT 500 / ADAPTOR SAE00/21
X.X ± 0.1	5.00-9.99 +0.20/-0.10		APVD: AS	
X.XX ± 0.01	10.00-17.49 +0.25/-0.13		DATE: 06 JUL 12	
ANG TOL: ± 0.5°	SCALE: 1:10	PROPERTY OF CUMMINS GENERATOR TECHNOLOGIES	STA: A0	REV: 2