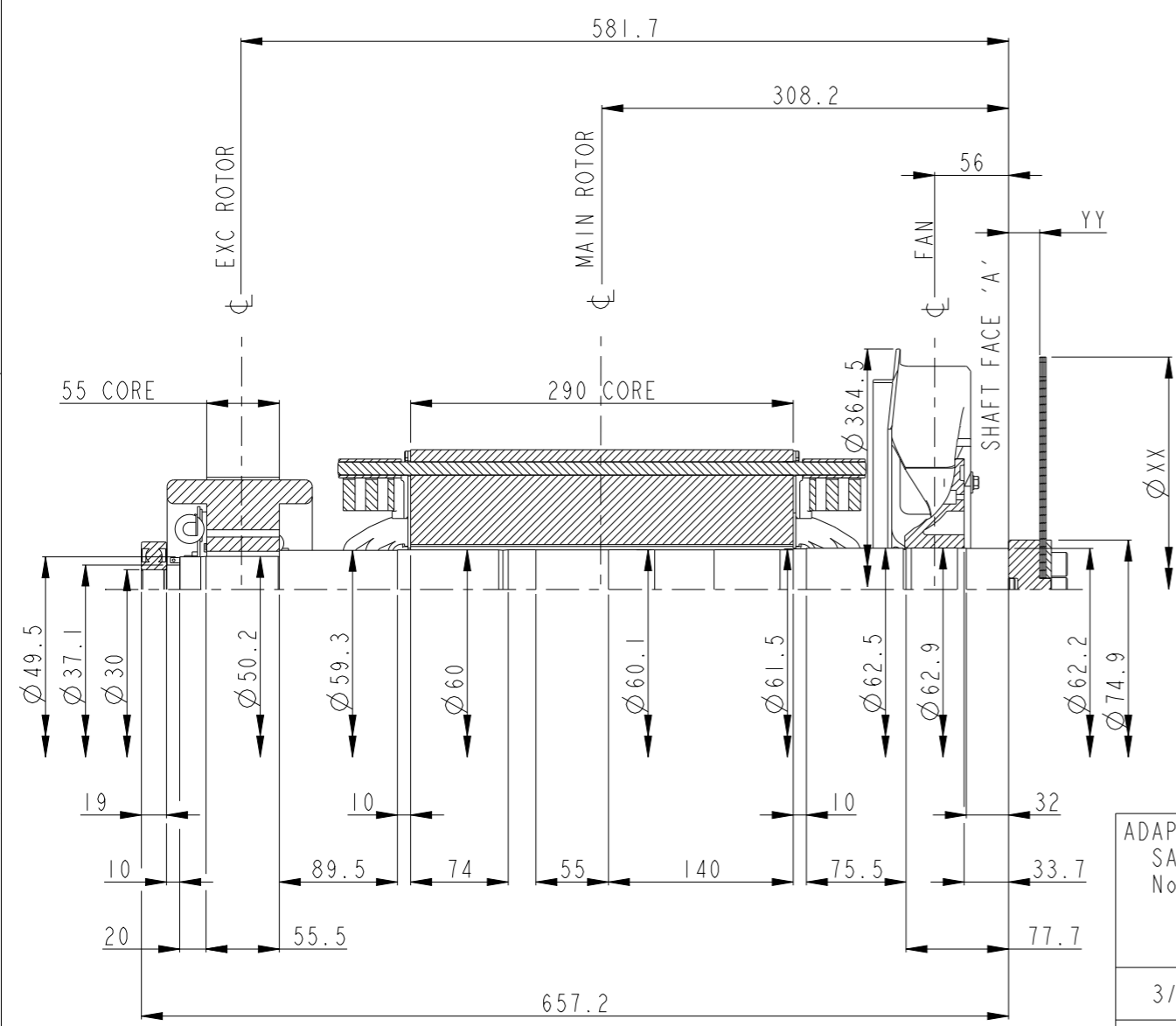
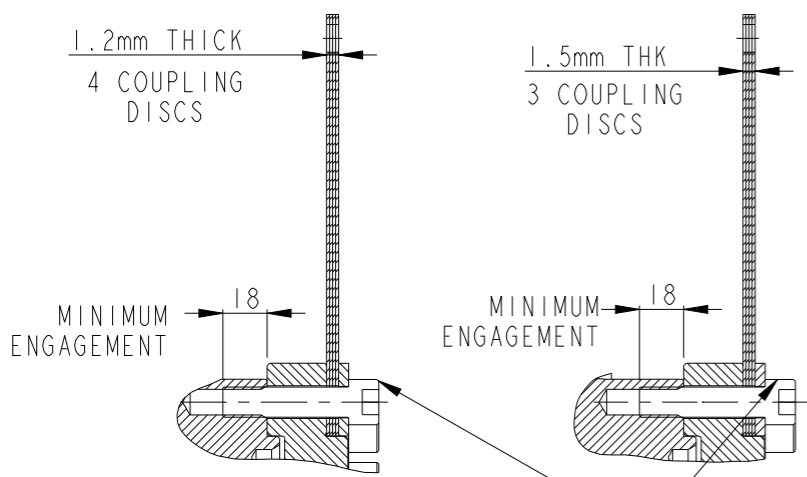


REL NO	REV	DETAIL	DWN	CKD	APVD	DATE
ECO-170415	D	PRODUCTION RELEASE	KDP	UKD	S. JOSHI	12JUL17
		ZONE D3, DIM 53.6 WAS 51				
		ZONE B3, DIM 32,33.7 & 77.7 WAS 22,28.7 & 72.7				
		TABLE, FAN WT 1.76 WAS 1.676				
		TABLE, FAN MI 0.0182 WAS 0.0172				
		ZONE A3/A4, DIM 18 WAS 19				



- NOTES:
- SHAFT STIFFNESS:
THE STIFFNESS OF THE SHAFT BETWEEN THE MAIN ROTOR CORE ϕ AND THE SHAFT FACE 'A' IS 3.6600×10^6 kgcm/radian (STIFFENING EFFECT OF MAIN ROTOR CORE IS NOT INCLUDED IN THIS FIGURE)
 - SHAFT MATERIAL:
STEEL - C40E TO BSEN 10083-2 2006
MAXIMUM RECOMMENDED VIBRATORY STRESS LEVEL IN THE SHAFT IS 34.47×10^6 N/m² FOR SPEED RANGE OF 0.95 TO 1.1 X NOMINAL SPEED AND 68.94×10^6 N/m² FOR RUN THROUGH CONDITIONS, FOR INDUSTRIAL MACHINES
 - CUMMINS GENERATOR TECHNOLOGIES LTD SHOULD BE NOTIFIED OF ANY ROTORS NOT COMPLYING WITH THESE RULES
 - CUMMINS GENERATOR TECHNOLOGIES LTD BALANCE ROTORS TO COMPLY WITH INTERNATIONAL STD BS ISO 1940 PARTS 1 AND 2. BALANCE GRADE 2.5
 - FOR UNBALANCED MAGNETIC PULL (U.M.P) REFER BACK TO THE FACTORY

ADAPTOR SAE No.	COUPLING SAE No.	COUPLING DIMENSIONS		MASS OF DISCS (kg) (4 X 1.2mm THICK)	MASS OF DISCS (kg) (3 X 1.5mm THICK)	MASS OF SHAFT SPACER (kg)	MASS OF PRESSURE PLATE (kg)	TOTAL MASS OF COUPLING ASSEMBLY (kg)	COUPLING STIFFNESS (kgcm/rad)	COUPLING DISC WR ² (kgm ²)
		ØXX mm	YY mm							
3/4	10	314.2	37.97	2.855	-	1.078	0.107	4.040	23.96×10^6	0.0354
3	1 1/2	352.3	23.62	3.606	-	0.671	0.107	4.384	23.84×10^6	0.0562
3/4	10	314.2	37.97	-	2.676	1.078	0.107	3.861	22.46×10^6	0.0332
3	1 1/2	352.3	23.62	-	3.381	0.671	0.107	4.159	22.35×10^6	0.0526



CONVERSION FACTORS		
TO CONVERT	TO	DIVIDE BY
kg	lb	0.453592
kg m ²	lb ft ²	0.04214
kgcm/rad	lbin/rad	1.1521246
N/m ²	lbf/in ²	6894.76

COMPONENT	Wt Kg	WR ² Kg m ²
FAN	1.76	0.0182
SHAFT	13.76	0.0061
MAIN ROTOR	65.19	0.3768
EXCITER ROTOR	8.40	0.0354
TOTAL	89.11	0.4365

SECTION B-B
SCALE 1:2

6 EQUI-SPACED
SOCKET HEAD SCREW
M12 X 1.75 PITCH ON 44 PCD
TORQUE 147 Nm

UNLESS OTHERWISE SPECIFIED, ALL DIMENSIONS ARE IN MILLIMETERS		SIM TO -		DWN K. PAWAR			CUMMINS GENERATOR TECHNOLOGIES																
DO NOT SCALE PRINT				CKD U. DAGWALE			DRAWING, TORSIONAL																
<table border="1"> <thead> <tr> <th>DIM</th> <th>HOLE</th> </tr> </thead> <tbody> <tr> <td>X ± 1</td> <td>0.00-4.99 +0.15/-0.08</td> </tr> <tr> <td>X.X ± 0.1</td> <td>5.00-9.99 +0.20/-0.10</td> </tr> <tr> <td>X.XX ± 0.01</td> <td>10.00-17.49 +0.25/-0.13</td> </tr> <tr> <td></td> <td>17.50-24.99 +0.30/-0.13</td> </tr> </tbody> </table>		DIM	HOLE	X ± 1	0.00-4.99 +0.15/-0.08	X.X ± 0.1	5.00-9.99 +0.20/-0.10	X.XX ± 0.01	10.00-17.49 +0.25/-0.13		17.50-24.99 +0.30/-0.13	<table border="1"> <thead> <tr> <th>DATE</th> <th>FIRST USED ON</th> </tr> </thead> <tbody> <tr> <td>15FEB16</td> <td></td> </tr> </tbody> </table>		DATE	FIRST USED ON	15FEB16		APVD S. JOSHI		SITE CODE		SIL2-Y1 4P	
DIM	HOLE																						
X ± 1	0.00-4.99 +0.15/-0.08																						
X.X ± 0.1	5.00-9.99 +0.20/-0.10																						
X.XX ± 0.01	10.00-17.49 +0.25/-0.13																						
	17.50-24.99 +0.30/-0.13																						
DATE	FIRST USED ON																						
15FEB16																							
ANG TOL: ± 0.5°		SCALE: 1:4		- CONFIDENTIAL - PROPERTY OF CUMMINS GENERATOR TECHNOLOGIES		PUN		<table border="1"> <thead> <tr> <th>DWG SIZE</th> <th>SHEET</th> <th>REV</th> </tr> </thead> <tbody> <tr> <td>A2</td> <td>1</td> <td>D</td> </tr> </tbody> </table>		DWG SIZE	SHEET	REV	A2	1	D								
DWG SIZE	SHEET	REV																					
A2	1	D																					
						A053H370																	