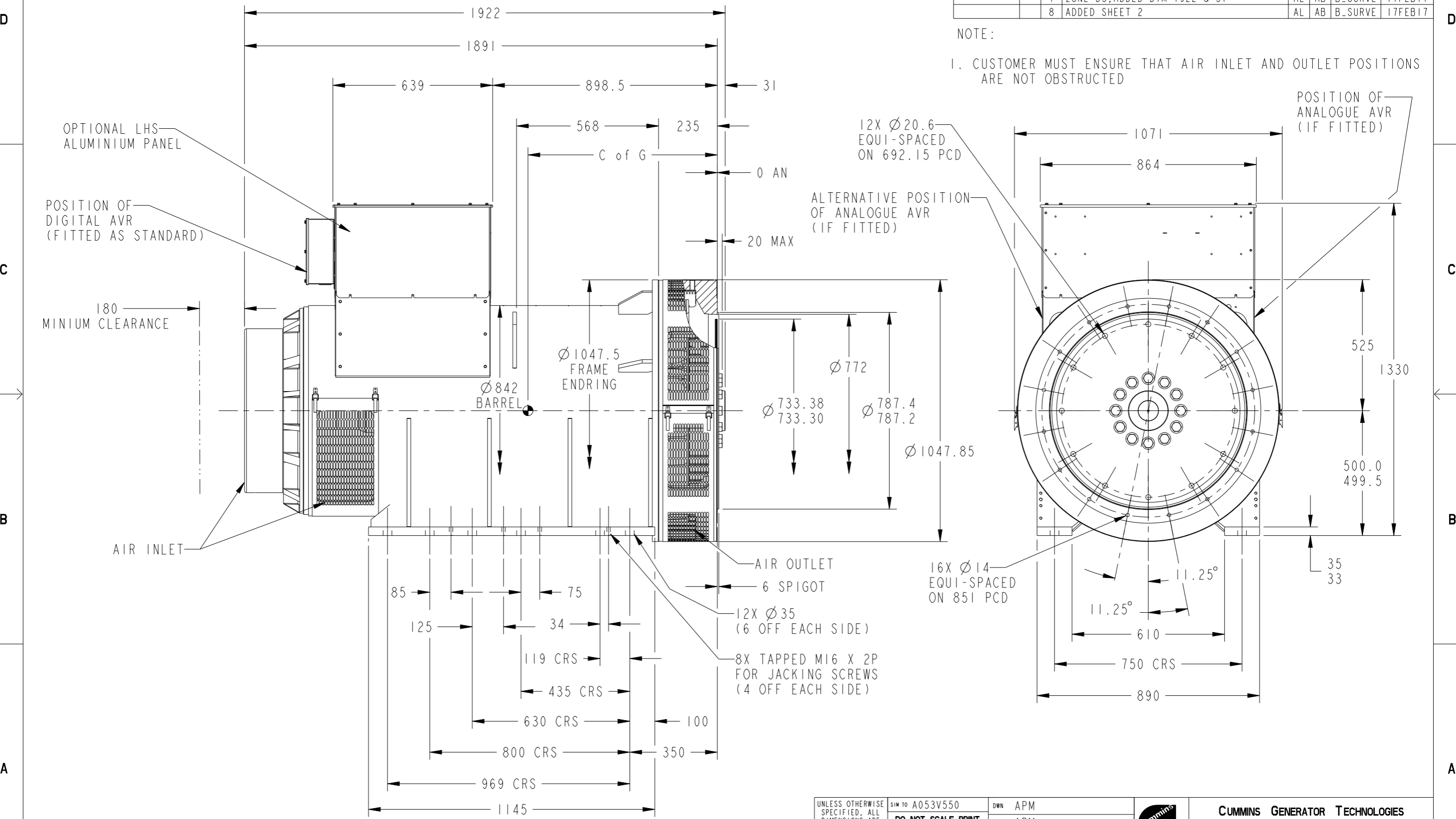


C of G	WEIGHT KG
840	4400

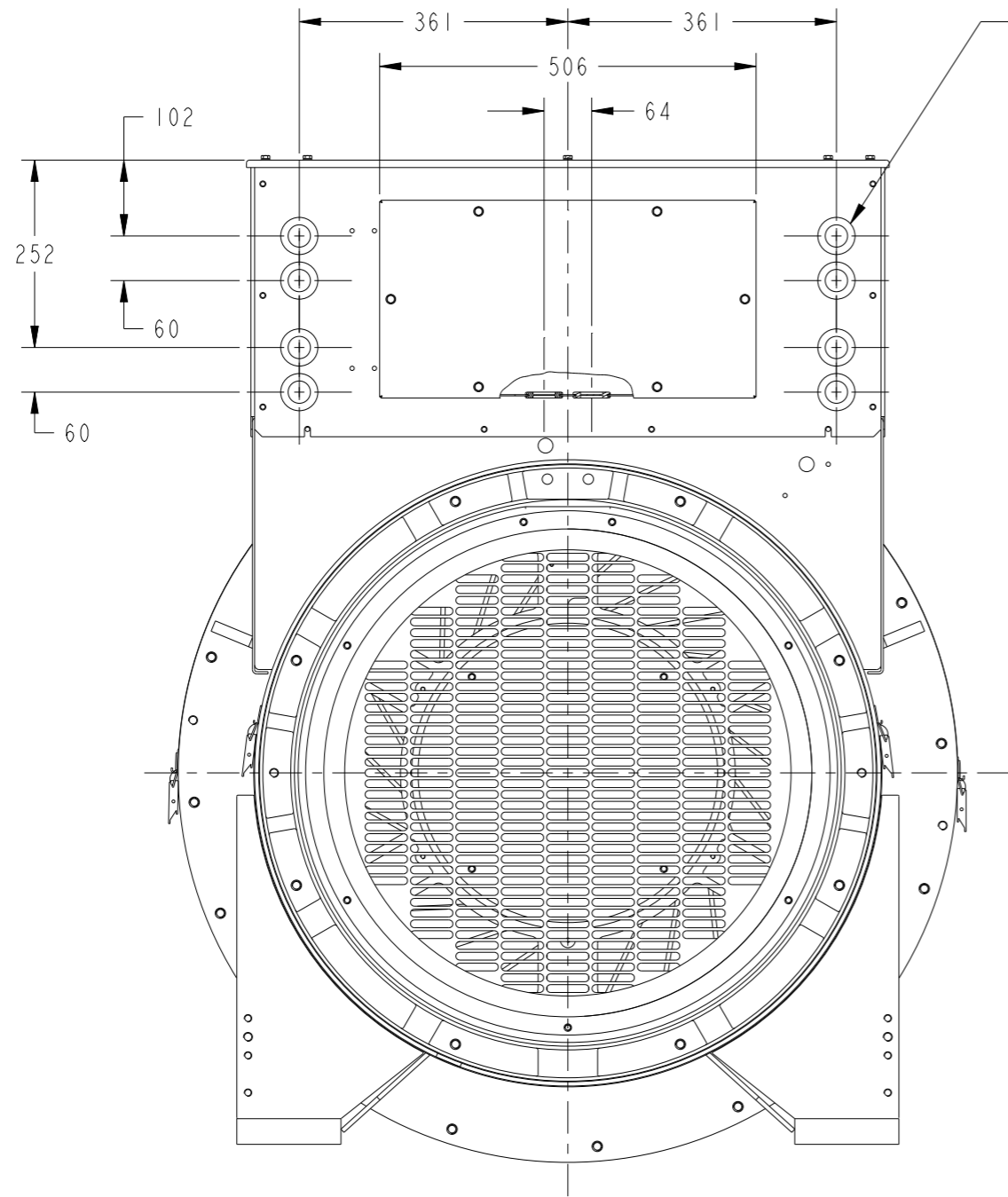
REL NO	REV	NO	REVISION	DWN	CKD	APVD	DATE
ECO-164856	C	1	ZONE C4, ADDED AVR BOX	AL	AB	B_SURVE	17FEB17
		2	ZONE D4, ADDED NOTE FOR OPTIONAL LHS...	AL	AB	B_SURVE	17FEB17
		3	ZONE C4, ADDED NOTE FOR AVR POSITION	AL	AB	B_SURVE	17FEB17
		4	ZONE B4, REMOVED DIM 656	AL	AB	B_SURVE	17FEB17
		5	ZONE C4, ADDED DIM 180	AL	AB	B_SURVE	17FEB17
		6	ZONE C1, ADDED DIM 525	AL	AB	B_SURVE	17FEB17
		7	ZONE D3, ADDED DIM 1922 & 31	AL	AB	B_SURVE	17FEB17
		8	ADDED SHEET 2	AL	AB	B_SURVE	17FEB17

NOTE:  
 1. CUSTOMER MUST ENSURE THAT AIR INLET AND OUTLET POSITIONS ARE NOT OBSTRUCTED

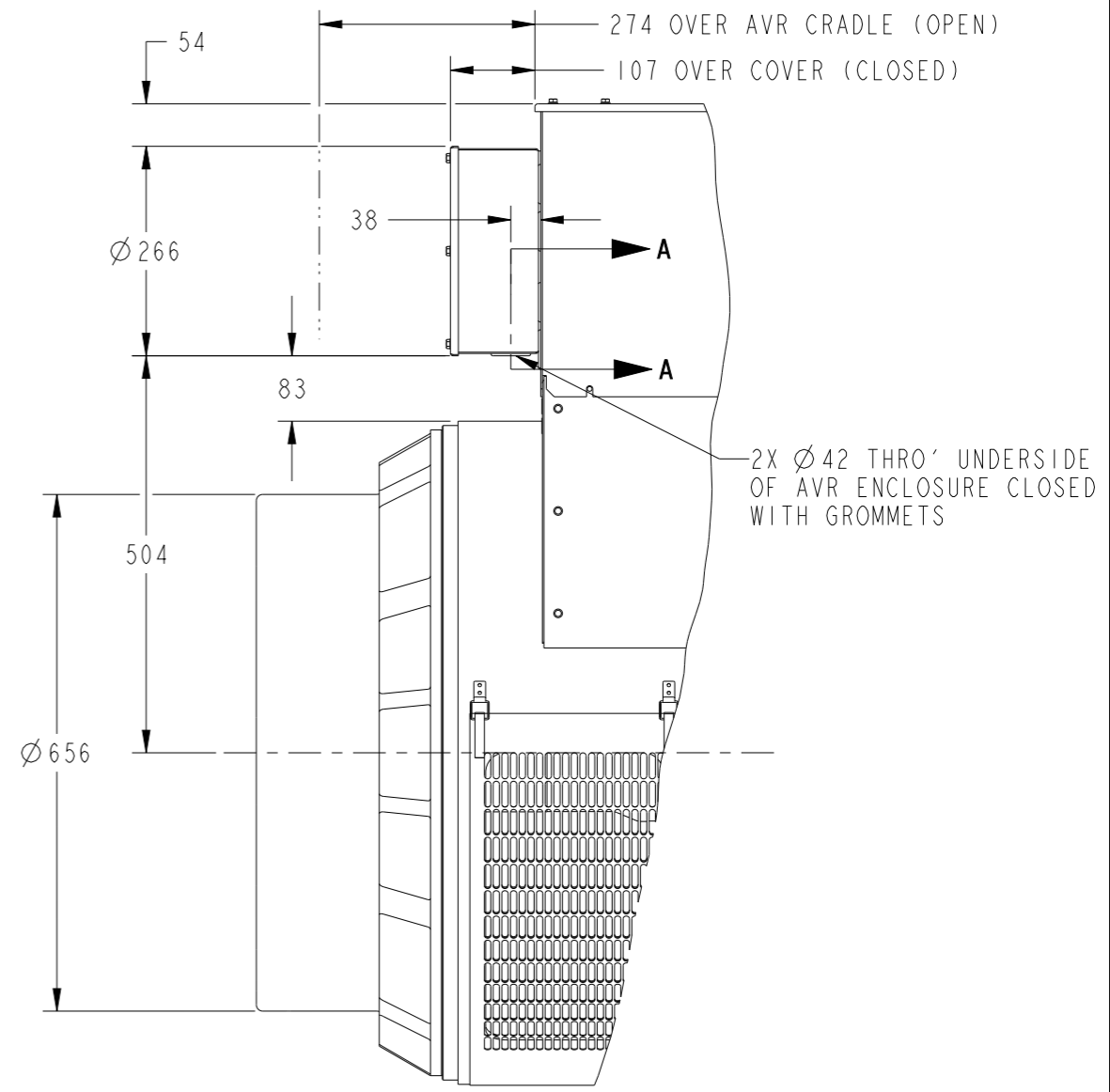


UNLESS OTHERWISE SPECIFIED, ALL DIMENSIONS ARE IN MILLIMETERS	SIM TO A053V550	DWN APM		CUMMINS GENERATOR TECHNOLOGIES	
	<b>DO NOT SCALE PRINT</b>	CKD APM		DRAWING, GENERAL ASSEMBLY	
SCALE 1:10		APVD SPA	SITE CODE	FRAME7H (4P) 1-BRG-STD T/B SAE 00/24 AVR	
THIS DOCUMENT (AND THE INFORMATION SHOWN THEREON) IS CONFIDENTIAL AND PROPRIETARY AND SHALL NOT BE DISCLOSED TO OTHERS IN HARD COPY OR ELECTRONIC FORM, REPRODUCED BY ANY MEANS, OR USED FOR ANY PURPOSE WITHOUT WRITTEN CONSENT OF CUMMINS INC.	DATE 23NOV15	FIRST USED ON P7	STA	DWG SIZE A2	A054F722
	FOR INTERPRETATION OF DIMENSIONING AND TOLERANCING, SEE ASME Y14.5-2009				CAD SHEET 1 of 2

REL NO	REV	NO	REVISION	DWN	CKD	APVD	DATE
ECO-164856	C	9	ADDED VIEWS FOR AVR BOX AND GROMMETS LOCATION	AL	AB	B_SURVE	17FEB17



8X Ø42 THRO' NDE PANEL CLOSED WITH GROMMETS



PART SECTION A-A  
SCALE 1:6

UNLESS OTHERWISE SPECIFIED, ALL DIMENSIONS ARE IN MILLIMETERS	SIM TO A053V550	DWN APM		CUMMINS GENERATOR TECHNOLOGIES		
	<b>DO NOT SCALE PRINT</b>	CKD APM		DRAWING, GENERAL ASSEMBLY		
SCALE 1:10		APVD SPA	SITE CODE	FRAME7H (4P) 1-BRG-STD T/B SAE 00/24 AVR		
THIS DOCUMENT (AND THE INFORMATION SHOWN THEREON) IS CONFIDENTIAL AND PROPRIETARY AND SHALL NOT BE DISCLOSED TO OTHERS IN HARD COPY OR ELECTRONIC FORM, REPRODUCED BY ANY MEANS, OR USED FOR ANY PURPOSE WITHOUT WRITTEN CONSENT OF CUMMINS INC.	DATE 23NOV15	FIRST USED ON P7		STA	DWG SIZE A2	A054F722