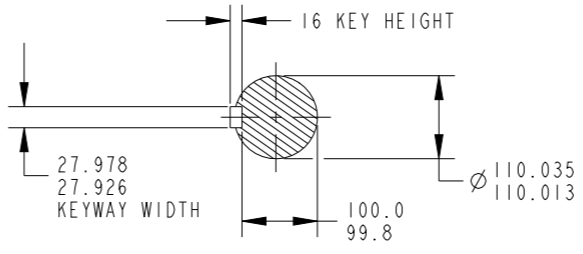
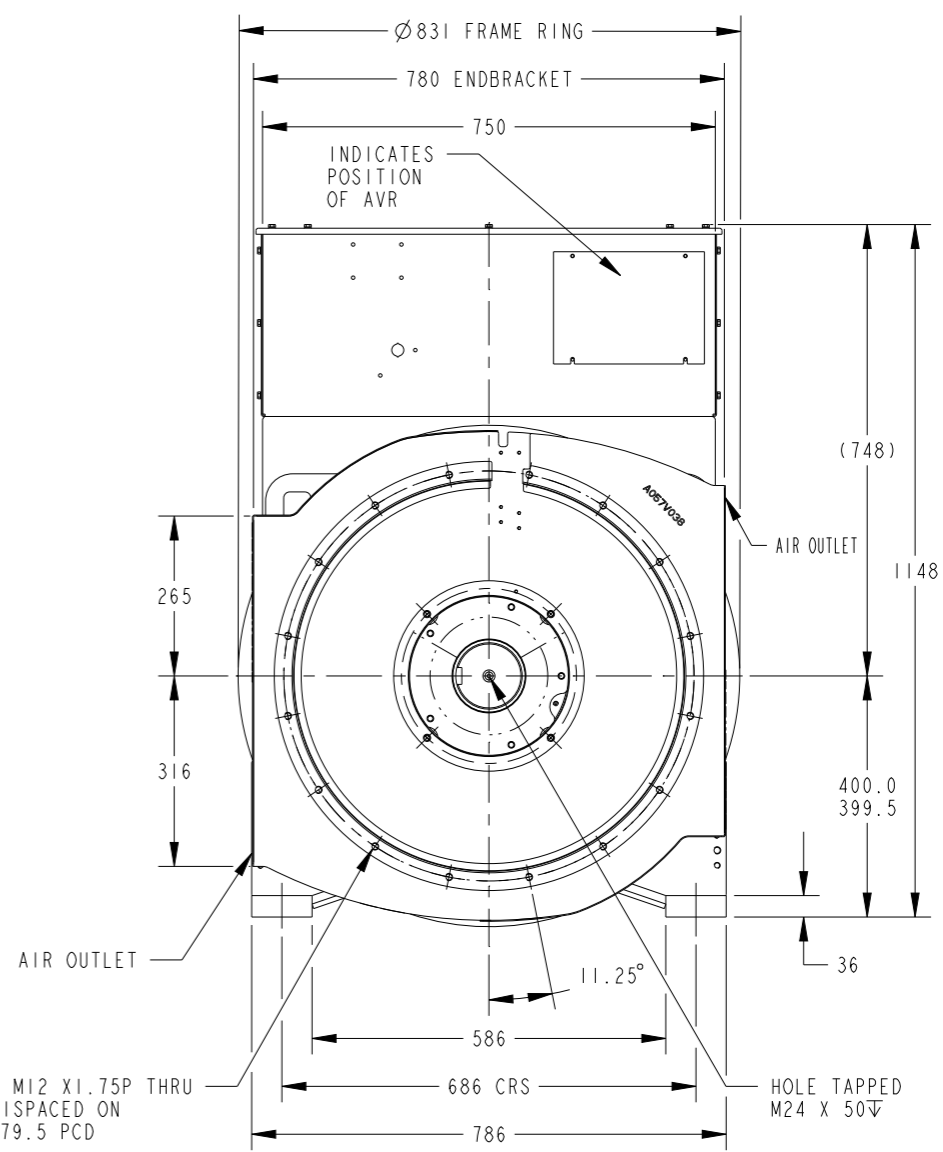
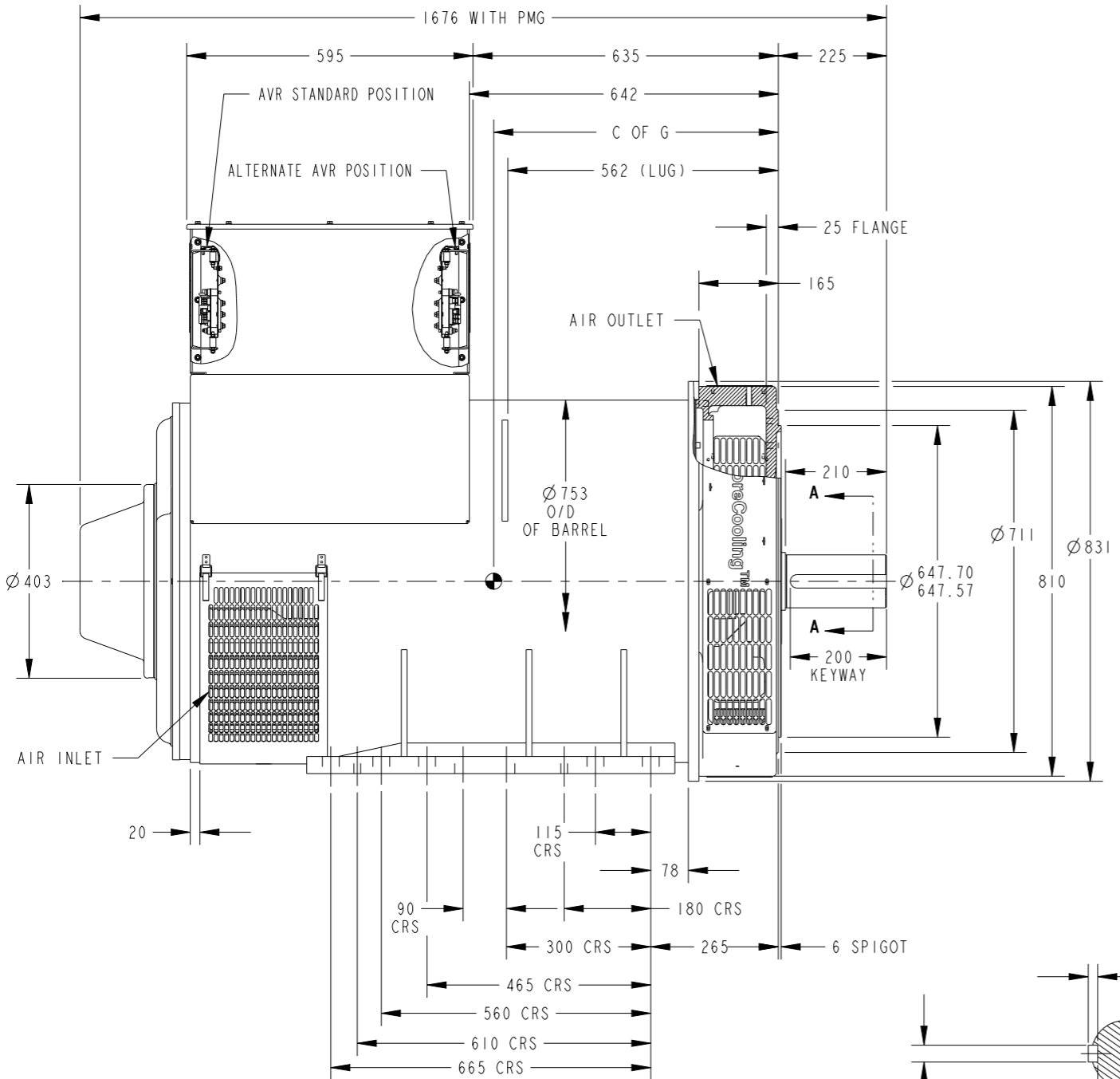


CORE	WEIGHT(KG)	C OF G
E	2102	579
F	2409	603

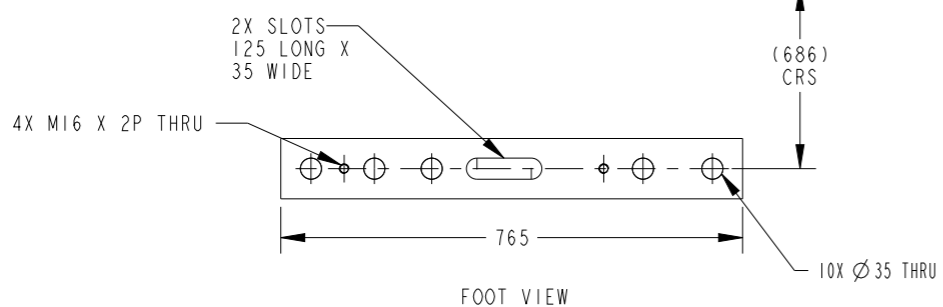
REL NO	REV	NO	REVISION	DWN	CKD	APVD	DATE
ECO-182688	D	1	ZONE D3,ADD DIM 225	KSK	RDH	I.SAUNDATTI	07JAN19
		2	ZONE D4, FOR E CORE WEIGHT 2102 WAS 2020 AND FOR F CORE WEIGHT 2409 WAS 2326	KSK	RDH	I.SAUNDATTI	07JAN19
		3	ZONE B2, DIM 16 WAS 8	KSK	RDH	I.SAUNDATTI	07JAN19
		4	ZONE B4, ADD DIM 20	KSK	RDH	I.SAUNDATTI	07JAN19
		5	ZONE A3 & A4, ADD FOOT VIEW	KSK	RDH	I.SAUNDATTI	07JAN19

NOTE:

1. CUSTOMER MUST ENSURE THAT AIR INLET AND OUTLET POSITIONS ARE NOT OBSTRUCTED



DETAILS OF EXTENSION SHAFT SECTION A-A SCALE 0.150



FOOT VIEW

UNLESS OTHERWISE SPECIFIED, ALL DIMENSIONS ARE IN MILLIMETERS	SIM TO	DWN P. KASVEKAR		CUMMINS GENERATOR TECHNOLOGIES	
	DO NOT SCALE PRINT	CKD S. KARMARKAR		DRAWING, GENERAL ASSEMBLY	
SCALE 0.120		APVD I. SAUNDATTI	SITE CODE	S6LID-E/F, 2B, SAE NONE, STD BOX, 400 CH	
THIS DOCUMENT (AND THE INFORMATION SHOWN THEREON) IS CONFIDENTIAL AND PROPRIETARY AND SHALL NOT BE DISCLOSED TO OTHERS IN HARD COPY OR ELECTRONIC FORM, REPRODUCED BY ANY MEANS, OR USED FOR ANY PURPOSE WITHOUT WRITTEN CONSENT OF CUMMINS INC.	DATE 27JUL17	FIRST USED ON S6	STA	DWG SIZE A2	A058G265
	FOR INTERPRETATION OF DIMENSIONING AND TOLERANCING, SEE ASME Y14.5-2009				CAD SHEET 1 of 1