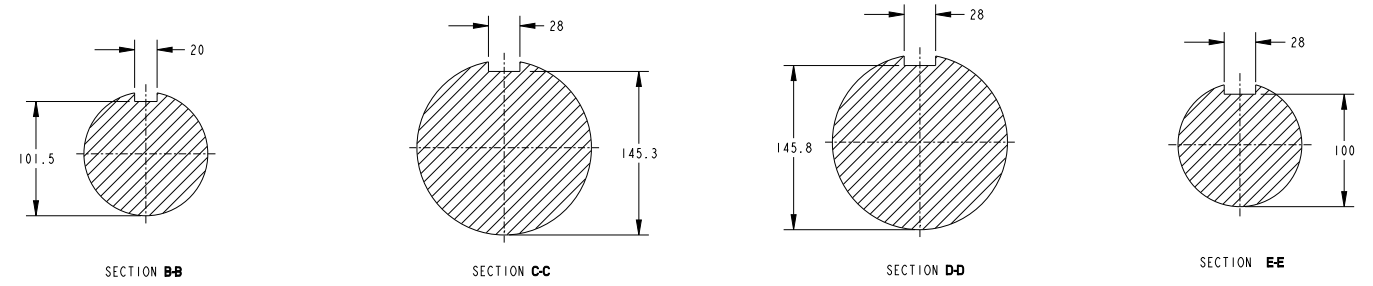


- NOTES:
1. SHAFT STIFFNESS:- THE STIFFNESS OF THE SHAFT BETWEEN THE MAIN ROTOR CORE  $\phi$  AND THE SHAFT EXTENSION  $\phi$  IS  $43.56 \times 10^6$  KGCM/RADIAN (STIFFENING EFFECT OF MAIN ROTOR CORE IS NOT INCLUDED IN THIS FIGURE)
  2. SHAFT MATERIAL:- STEEL - C40E TO BSEN 10083-2 2006 (APPROVED BY MARINE AUTHORITIES WHEN APPROPRIATE)
  3. MAXIMUM RECOMMENDED VIBRATORY STRESS LEVEL IN THE SHAFT IS  $34.47 \times 10$  N/m<sup>2</sup> FOR SPEED RANGE OF 0.95 TO 1.1 X NOMINAL SPEED AND  $68.94 \times 10$  N/m<sup>2</sup> FOR RUN THROUGH CONDITIONS, FOR INDUSTRIAL MACHINES. FOR MARINE AUTHORITIES, THEIR APPROPRIATE RULES WILL APPLY
  4. CUMMINS GENERATOR TECHNOLOGIES LTD SHOULD BE NOTIFIED OF ANY ROTORS NOT COMPLYING WITH THESE RULES
  5. CUMMINS GENERATOR TECHNOLOGIES LTD BALANCE ROTORS TO COMPLY WITH INTERNATIONAL STD BS ISO 1940 PARTS 1 AND 2. BALANCE GRADE 2.5
  6. FOR UNBALANCED MAGNETIC PULL (U.M.P.) FORCES PLEASE CONTACT CUMMINS GENERATOR TECHNOLOGIES LTD



COMPONENT	Wt Kg	WR <sup>2</sup> (KGM <sup>2</sup> )
EX. ROTOR	38.66	0.5785
MAIN ROTOR	451	14.053
FAN	19.03	0.8523
SHAFT	165.8	0.4312
P.M. EXCITER ROTOR	4	0.011
P.M. STUB SHAFT	0.859	0.0003
TOTAL	679.35	15.93

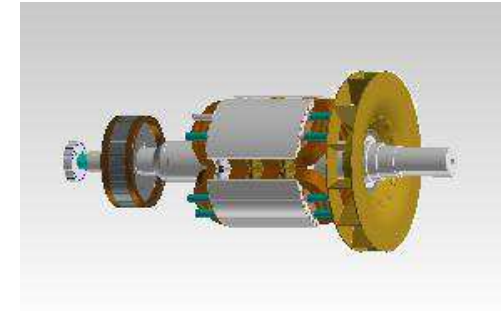
CONVERSION FACTORS		
TO CONVERT	TO	DIVIDE BY
kg	lb	0.453592
kg m <sup>2</sup>	lb ft <sup>2</sup>	0.04214
kgcm/rad	lbin/rad	1.1521246
N/m <sup>2</sup>	lbf/in <sup>2</sup>	6894.76

<b>Cummins Generator Technologies</b>		
DIMENSIONS ARE IN: MILLIMETERS ( ) ARE IN: -		
DRAWING SPECIFICATION DESCRIPTION S6LID-C, 4P, 2B		SCALE: 1:2.8
DIMENSIONING AND TOLERANCING PER: ASME Y14.5-2009		THIRD ANGLE PROJECTION
		CAD SYSTEM PTC® Creo® Parametric



**Part Number: A058H233**

Change Notice	CN00081951	Alternates	
Manufacturer Part (MEP)	No	Usage	Production Only
Release Phase Code	Production (P)	Drawing Specification	Number: DS47120404
External Regulations	No External Regulation		Revision: A



3D image provided when available for visual reference only.

**Drawing Revision Information**

<p><b>Description of Change(s)</b>          Note: Change information is provided for reference only and does not supersede the drawing's primary content.</p>
<p>MINOR AMENDMENTS</p>
<p>ADMINISTRATIVE CHANGE(S) TO PART ATTRIBUTES, BILL OF MATERIAL, OR ASSOCIATED SPECIFICATIONS.</p>

**Drawing Authorization**

Drafter	Aishwarya Rajaram Shelar	Date	10JAN2023
Checker	Kuldeep Dilip Pawar	Date	10JAN2023
Approver	NO APPROVAL REQUIRED	Date	

Document Generated: 10JAN2023 10:13 GMT