

Document Generated: 05MAR2021 12:47 GMT

Cummins Data Classification:
Cummins Confidential

This document (and the information shown thereon) is Confidential and Proprietary and shall not be disclosed to others in hard copy or electronic form, reproduced by any means, or used for any purpose without written consent of Cummins Inc.

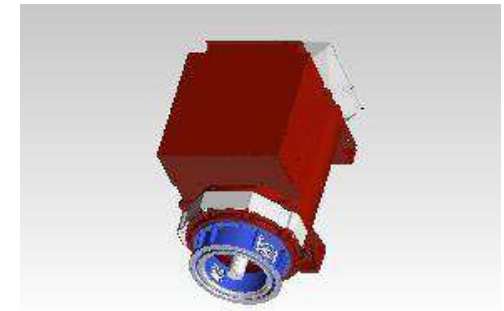
Cummins Generator Technologies			
DIMENSIONS ARE IN: MILLIMETERS [] ARE IN: -		SIZE: A2	SCALE: 1:10
DRAWING SPECIFICATION DESCRIPTION S9, D CORE, 2BRG, NO ADAPTOR		CAD SYSTEM PTC® Creo® Parametric	
DIMENSIONING AND TOLERANCING PER: ASME Y14.5-2009		THIRD ANGLE PROJECTION	

Part Number: **A063J913** Part Revision: **C**
 Part Name: **ARRANGEMENT, GENERATOR GENERAL**
 Drawing Category: **Outline** State: **Released** Sheet 1 of 2



Part Number: A063J913

Change Notice	CN00030625	Alternates	
Manufacturer Part (MEP)	No	Usage	Production and Service
Release Phase Code	Production (P)	Drawing Specification	DSA062B073
External Regulations	No External Regulation		



3D image provided when available for visual reference only.

Associated Specifications

Number	Name	Type	Category	Sub-Category
ESA030B356	SPECIFICATION,MATERIAL	Engineering Specification	Material Specification	Prohibited and Restricted Prohibited and Restricted

Drawing Revision Information

Description of Change(s)
1) ZONE C9: HOLE DIAMETER 24 WAS 20. 2) ADD NOTE 2.

Drawing Authorization

Drafter	Silviu-Ionut Nanau	Date	05MAR2021
Checker	Daniel Ciochina	Date	05MAR2021
Approver	NO APPROVAL REQUIRED	Date	

Document Generated: 05MAR2021 12:47 GMT