

Document Generated: 17JAN2020 09:42 GMT

Cummins Data Classification:
Cummins Confidential

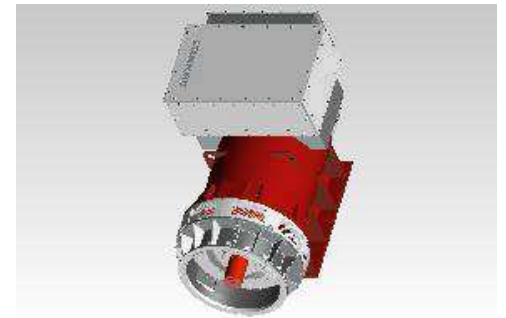
This document (and the information shown thereon) is **Confidential and Proprietary** and shall not be disclosed to others in hard copy or electronic form, reproduced by any means, or used for any purpose without written consent of Cummins Inc.

Part Number: **A063N679** Part Revision: **B**
 Part Name: **ARRANGEMENT, GENERATOR GENERAL**
 Drawing Category: **Outline State: Released** Sheet 1 of 2



Part Number: A063N679

Change Notice	CN00013125	Alternates	
Manufacturer Part (MEP)	No	Usage	Production Only
Release Phase Code	Production (P)	Drawing Specification	DS47017402
External Regulations	No External Regulation		



3D image provided when available for visual reference only.

Associated Specifications

Number	Name	Type	Category	Sub-Category
ESA030B356	SPECIFICATION,MATERIAL	Engineering Specification	Material Specification	Prohibited and Restricted Prohibited and Restricted

Drawing Revision Information

Description of Change(s)
1. PRODUCTION RELEASE 2. ADD WEIGHT AND C OF G

Drawing Authorization

Drafter	Kunal Tukaram Patil	Date	17JAN2020
Checker	Rahul Hanabar	Date	17JAN2020
Approver	NO APPROVAL REQUIRED	Date	

Document Generated: 17JAN2020 09:42 GMT