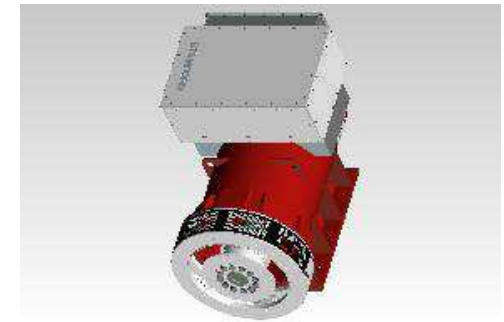


Document Generated: 27AUG2021 01:44 GMT



Part Number: A063N686

Change Notice	CN00037905	Alternates	
Manufacturer Part (MEP)	No	Usage	Production Only
Release Phase Code	Production (P)	Drawing Specification	DS47017409
External Regulations	No External Regulation		



3D image provided when available for visual reference only.

Associated Specifications

Number	Name	Type	Category	Sub-Category
ESA030B356	SPECIFICATION,MATERIAL	Engineering Specification	Material Specification	Prohibited and Restricted Prohibited and Restricted

Drawing Revision Information

Description of Change(s)
IN ZONE K13~M13,ROTATE 180 DEGREE OF "CORECOOLING" LOGO

Drawing Authorization

Drafter	Qun Zhou	Date	26AUG2021
Checker	Jessica Liu	Date	27AUG2021
Approver	NO APPROVAL REQUIRED	Date	

Document Generated: 27AUG2021 01:44 GMT