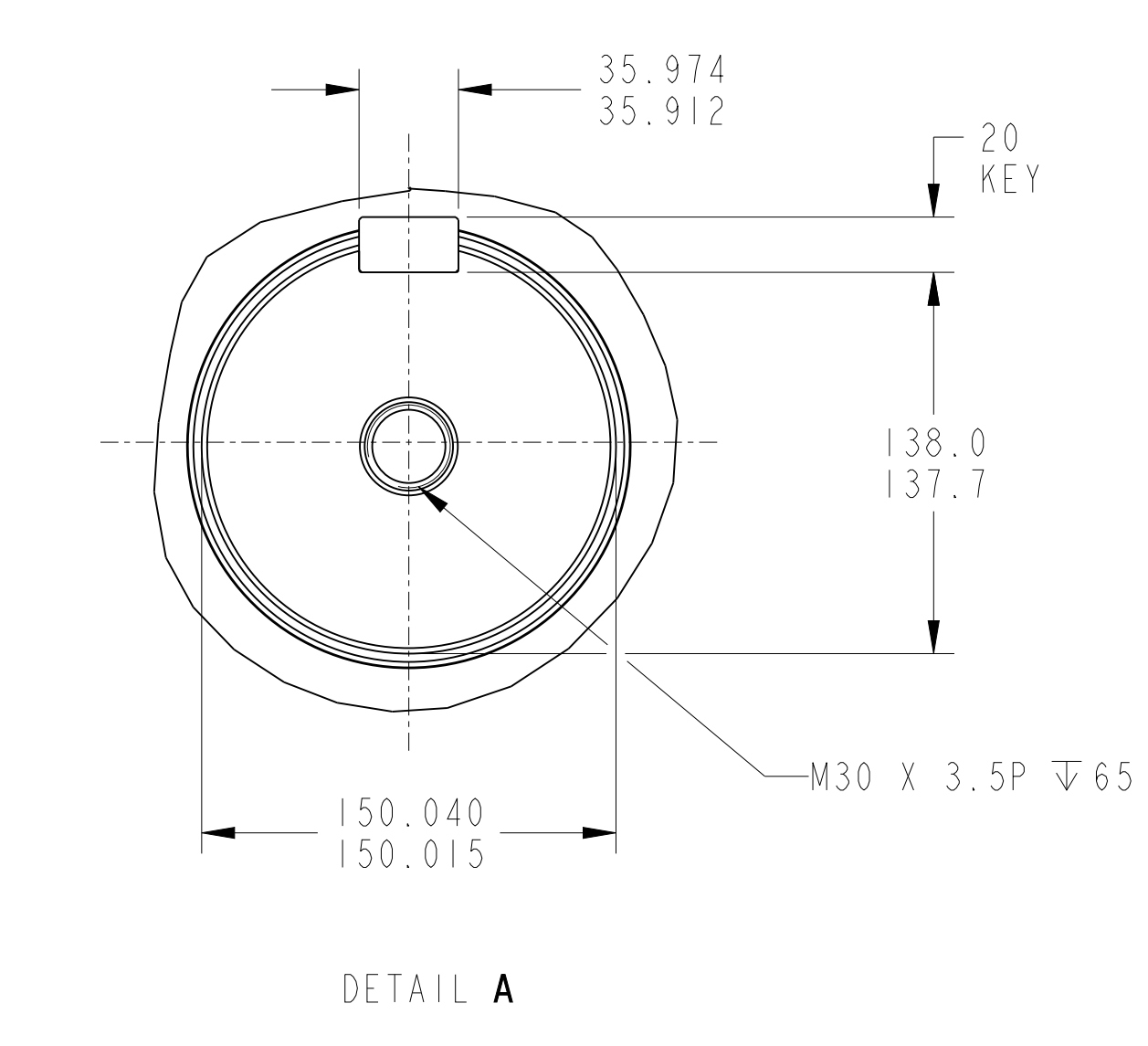
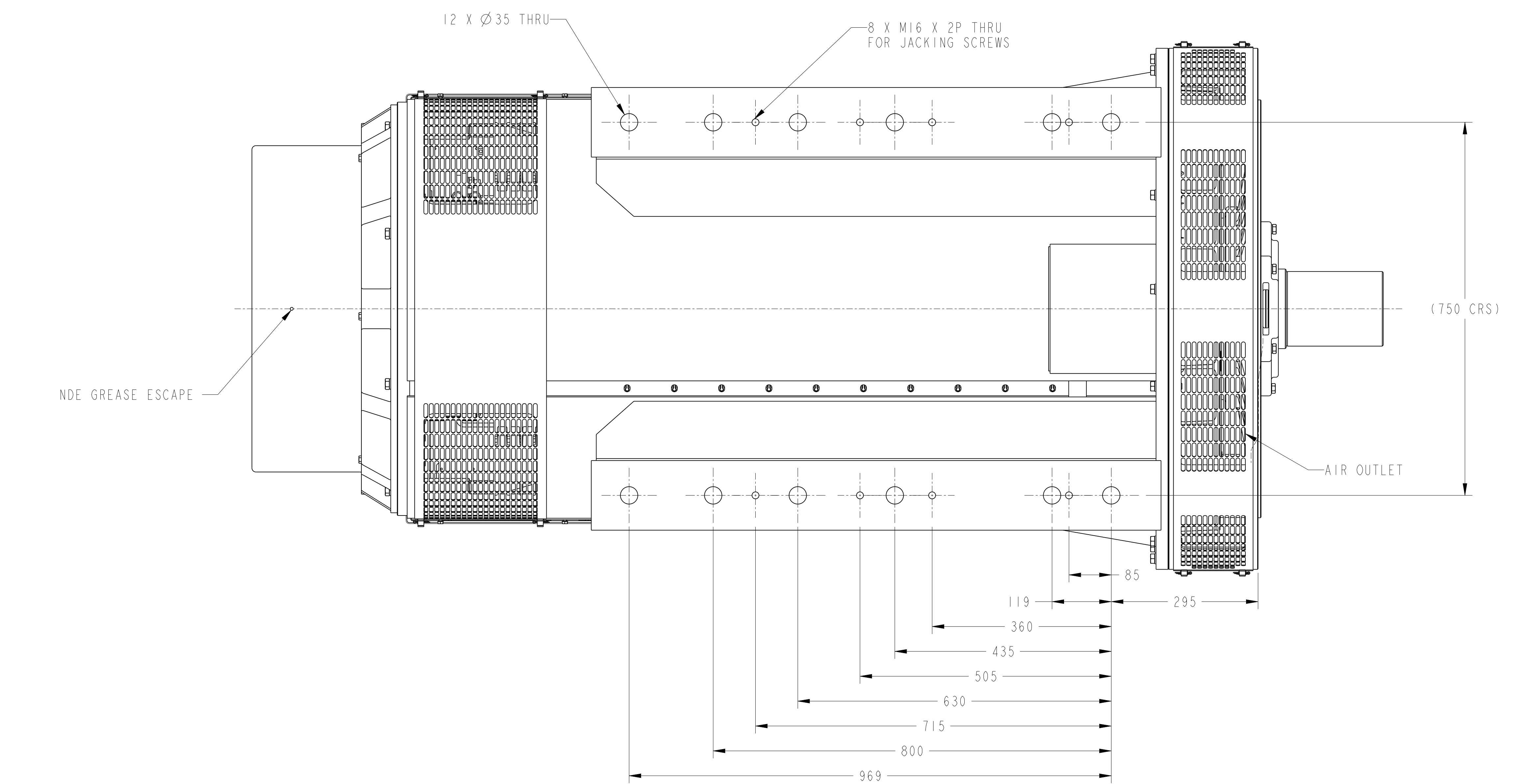
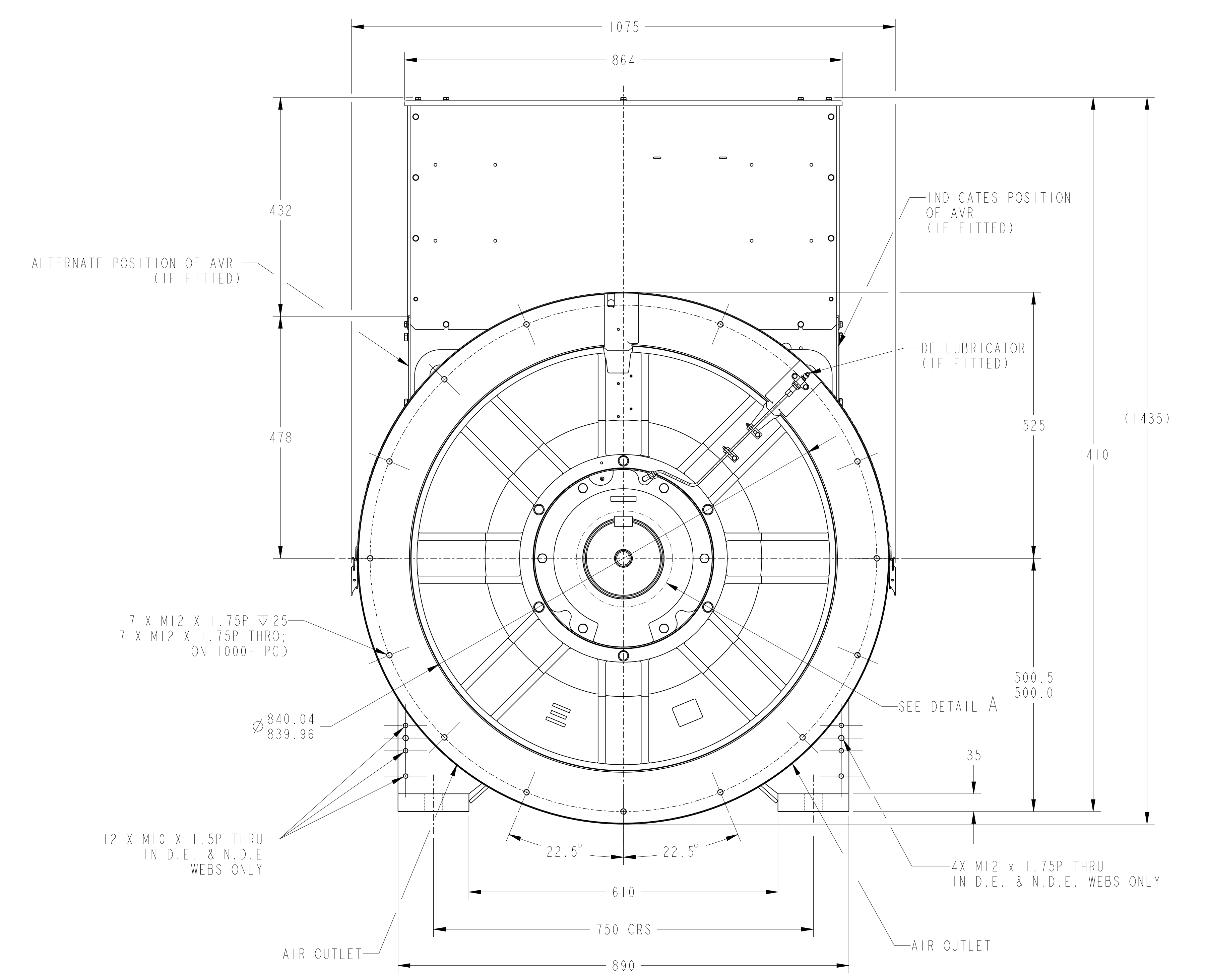
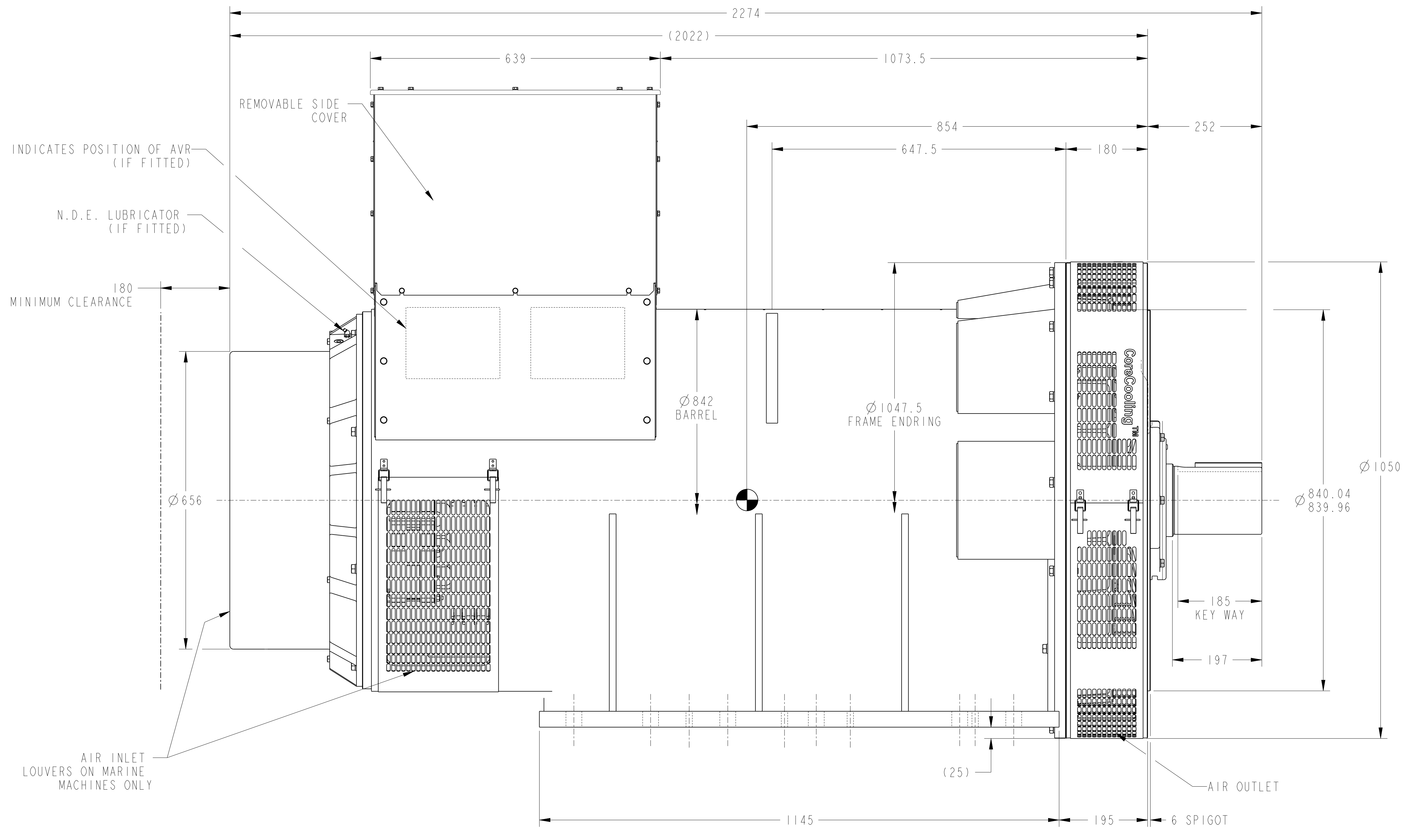


- NOTES:
1. CUSTOMER MAY CUT CABLE ENTRY HOLES AS REQUIRED IN ANY OF THE FOUR TERMINAL BOX SIDES SUBJECT TO POSITION OF AVR, TERMINAL ETC
 2. CUSTOMER MUST ENSURE THAT AIR INLET & OUTLET POSITIONS ARE NOT OBSTRUCTED
 3. NOMINAL WEIGHT BASED ON CAD MODEL: (4856 KILOGRAMS) NOT FOR INSPECTION



PART NUMBER: A074D056		PART REVISION: B	
PART NAME: ARRANGEMENT.GENERATOR GENERAL			
DRAWING CATEGORY: OUTLINE			
STATE: RELEASED	SHEET: 1 OF 2		
CUMMINS DATA CLASSIFICATION: CUMMINS CONFIDENTIAL			
THIS DOCUMENT (AND THE INFORMATION SHOWN THEREON) IS CONFIDENTIAL AND PROPRIETARY AND SHALL NOT BE DISCLOSED TO OTHERS IN HARD COPY OR ELECTRONIC FORM, REPRODUCED BY ANY MEANS, OR USED FOR ANY PURPOSE WITHOUT WRITTEN CONSENT OF CUMMINS INC.			
DRAWING SPECIFICATION DESCRIPTION		S7K, 2B, NO ADAPTOR, HIGH T-BOX, STD FRAME	
DIMENSIONS ARE IN: MILLIMETERS		SIZE: A0 SCALE: 1:1	
DIMENSIONING AND TOLERANCING PER: ASME Y14.5-2009		THIRD ANGLE PROJECTION	
CAD SYSTEM		PTC® Creo® Parametric	

4

3

2

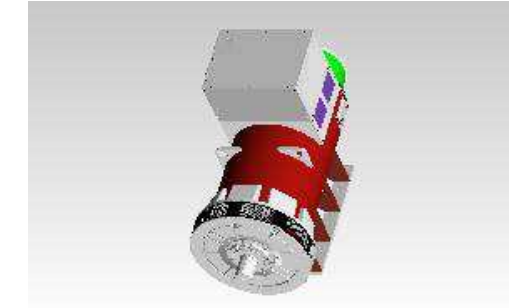
1

D



Part Number: A074D056

Change Notice	CN00173867	Alternates	
Manufacturer Part (MEP)	No	Usage	Production Only
Release Phase Code	Production (P)	Drawing Specification	Number: DS47133384
External Regulations	No External Regulation		Revision: B



3D image provided when available for visual reference only.

C

Drawing Revision Information

Description of Change(s) Note: Change information is provided for reference only and does not supersede the drawing's primary content.
MINOR AMENDMENT
ADMINISTRATIVE CHANGE(S) TO PART ATTRIBUTES, BILL OF MATERIAL, OR ASSOCIATED SPECIFICATIONS.

Drawing Authorization

Drafter	Nivas Raj	Date	03MAR2025
Checker	Sneha Pundlikrao Bondlewad	Date	04MAR2025
Approver	NO APPROVAL REQUIRED	Date	

B

A

Cummins Data Classification: **Cummins Confidential** This document (and the information shown thereon) is **Confidential and Proprietary** and shall not be disclosed to others in hard copy or electronic form, reproduced by any means, or used for any purpose without written consent of Cummins Inc.

Part Number: **A074D056** Part Revision: **B**
 Part Name: **ARRANGEMENT,GENERATOR GENERAL**
 Drawing Category: **Outline** State: **Released** Sheet 2 of 2

4

3

2

1