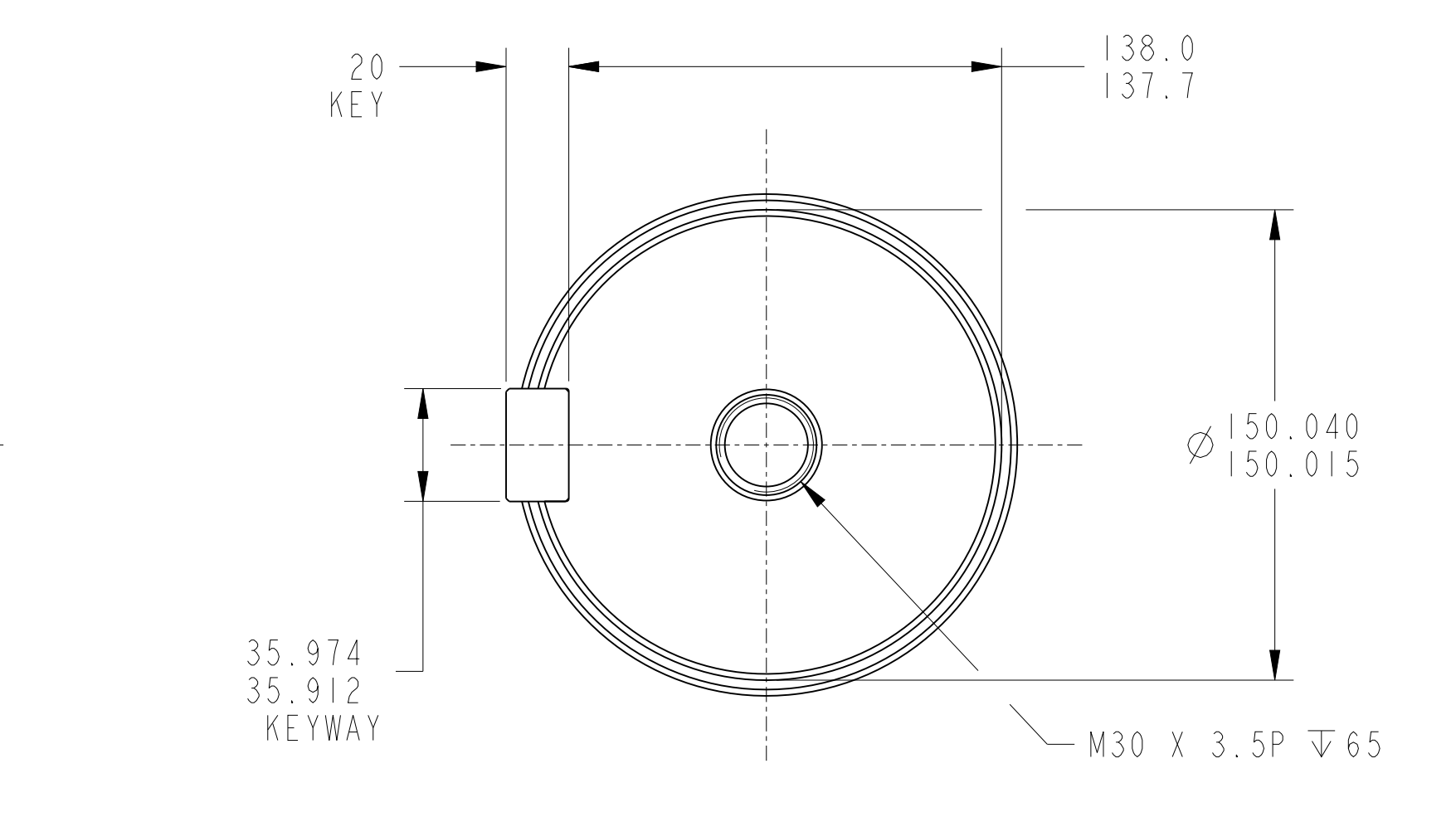
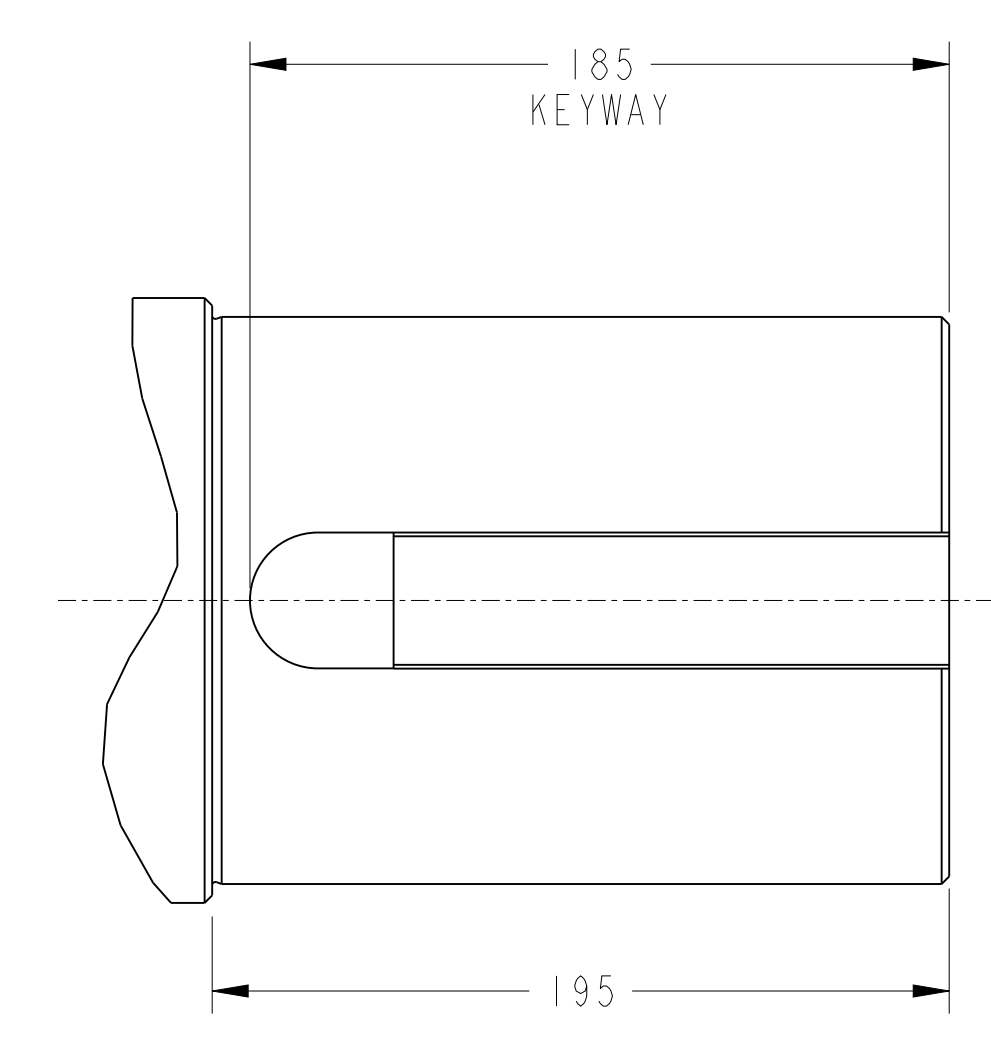
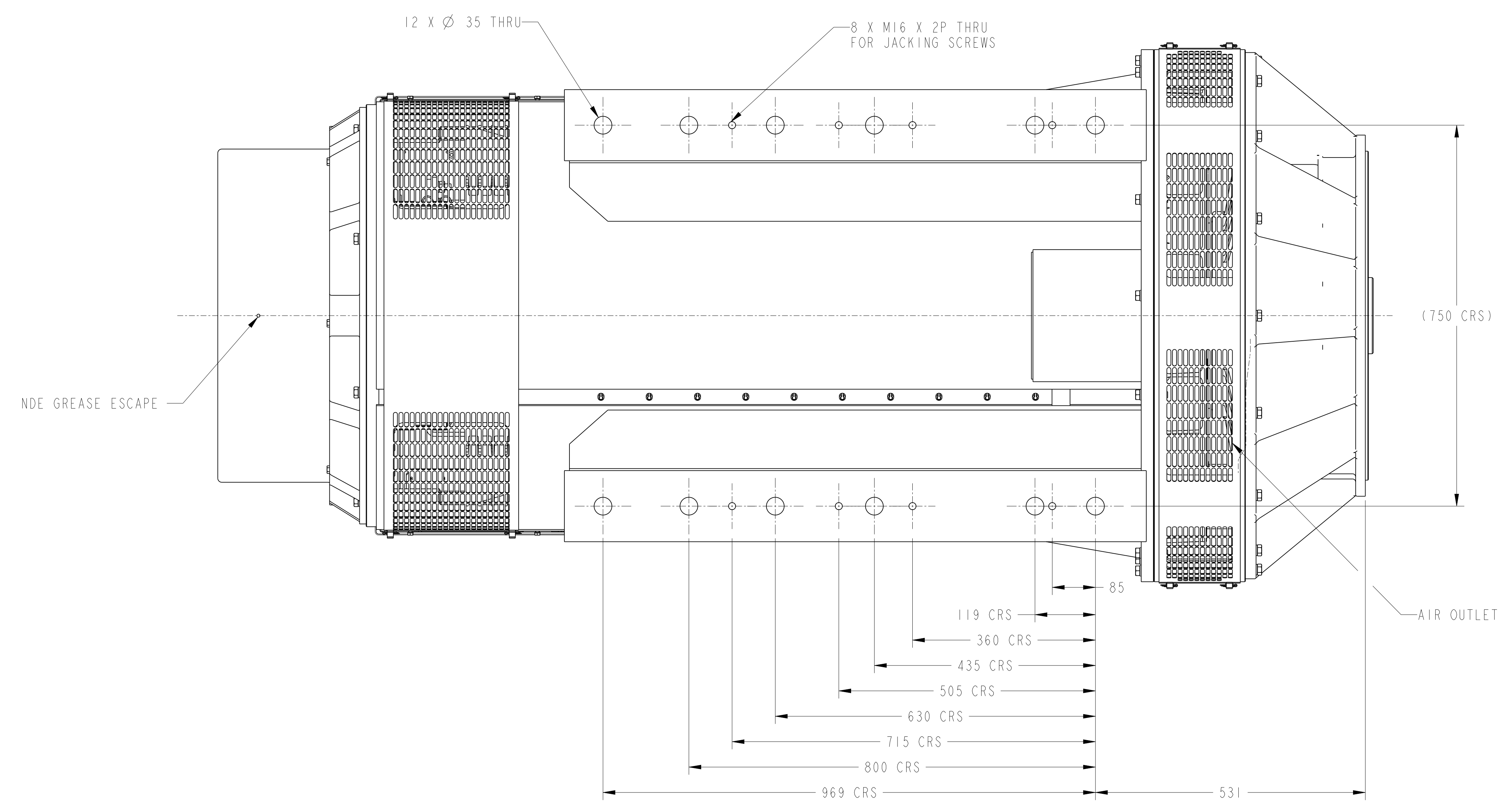
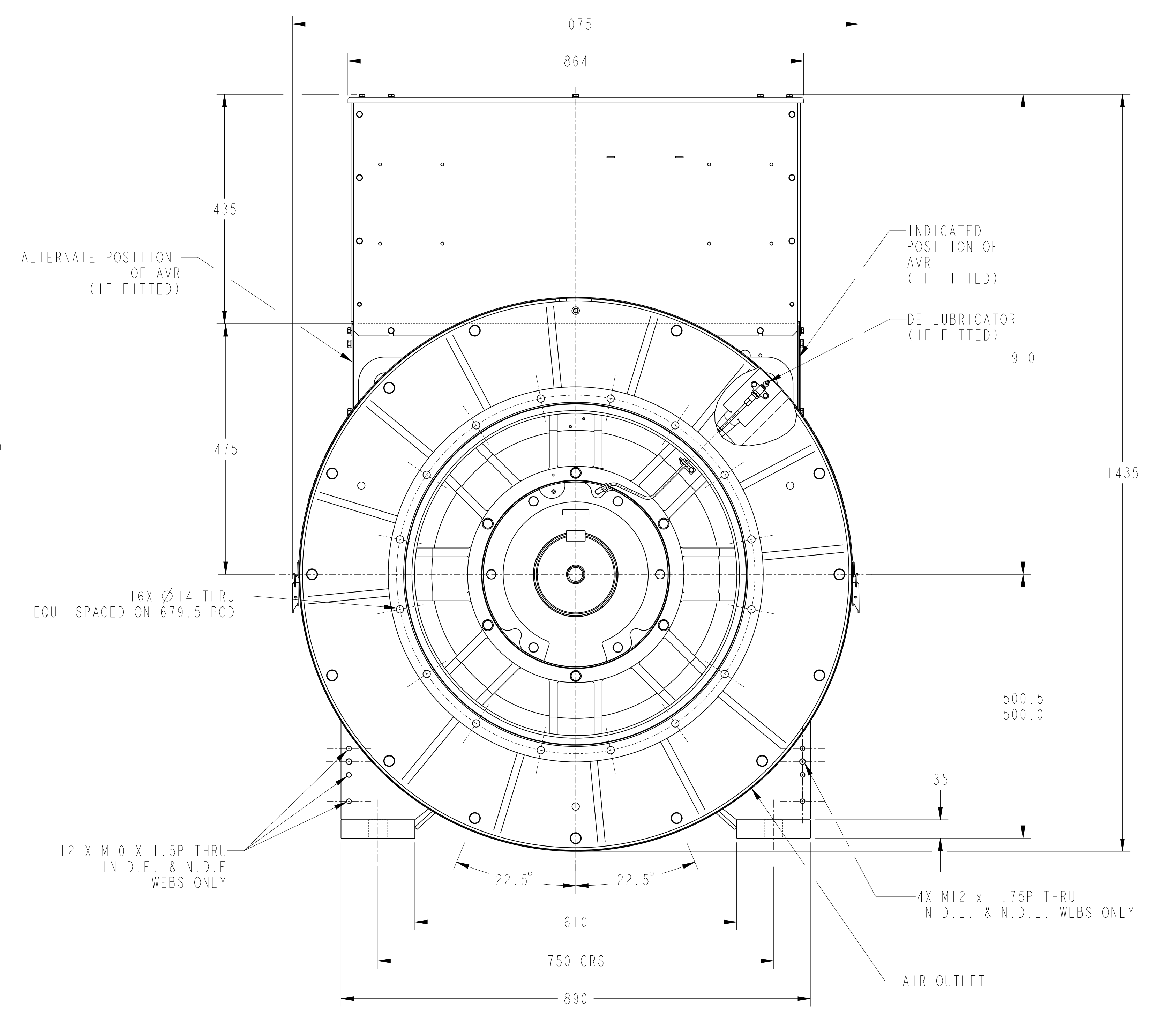
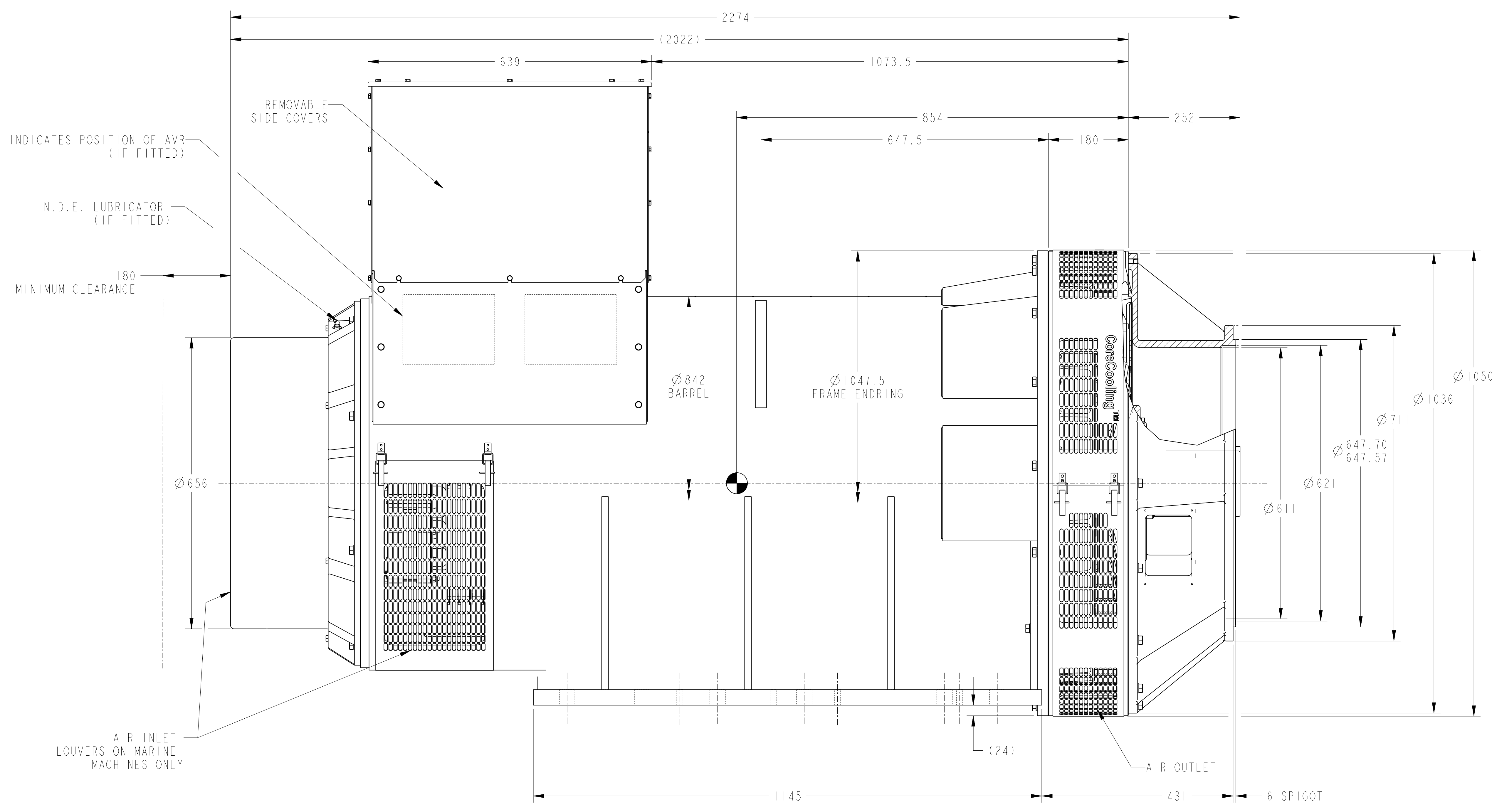


NOTES:
 1. CUSTOMER MAY CUT CABLE ENTRY HOLES AS REQUIRED IN ANY OF THE FOUR TERMINAL BOX SIDES SUBJECT TO POSITION OF AVR, TERMINAL ETC
 2. CUSTOMER MUST ENSURE THAT AIR INLET & OUTLET POSITIONS ARE NOT OBSTRUCTED
 3. NOMINAL WEIGHT BASED ON CAD MODEL: (5106 KILOGRAMS) NOT FOR INSPECTION



DETAIL SHAFT EXTENSION

PART NUMBER: A074D057	PART REVISION: C	Cummins Generator Technologies
PART NAME: ARRANGEMENT.GENERATOR GENERAL		
DRAWING CATEGORY: OUTLINE	SHEET: 1 OF 2	DIMENSIONS ARE IN: MILLIMETERS T ARE IN: SIZE: A0 SCALE: 1:1 DIMENSIONING AND TOLERANCING PER: ASME Y14.5-2009 THIRD ANGLE PROJECTION CAD SYSTEM PTC® Creo® Parametric
DRAWING SPECIFICATION DESCRIPTION S7K, 2B, SAE0, HIGH T-BOX, STD FRAME		
CUMMINS DATA CLASSIFICATION: CUMMINS CONFIDENTIAL THIS DOCUMENT (AND THE INFORMATION SHOWN THEREON) IS CONFIDENTIAL AND PROPRIETARY AND SHALL NOT BE DISCLOSED TO OTHERS IN HARD COPY OR ELECTRONIC FORM, REPRODUCED BY ANY MEANS, OR USED FOR ANY PURPOSE WITHOUT WRITTEN CONSENT OF CUMMINS INC.		

4

3

2

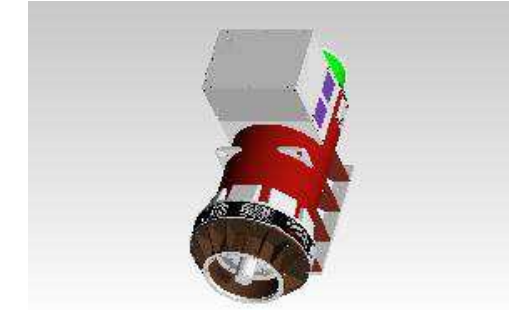
1

D



Part Number: A074D057

Change Notice	CN00173867	Alternates	
Manufacturer Part (MEP)	No	Usage	Production Only
Release Phase Code	Production (P)	Drawing Specification	Number: DS47132793
External Regulations	No External Regulation		Revision: C



3D image provided when available for visual reference only.

C

Drawing Revision Information

Description of Change(s) Note: Change information is provided for reference only and does not supersede the drawing's primary content.
MINOR AMENDMENT
ADMINISTRATIVE CHANGE(S) TO PART ATTRIBUTES, BILL OF MATERIAL, OR ASSOCIATED SPECIFICATIONS.

Drawing Authorization

Drafter	Nivas Raj	Date	03MAR2025
Checker	Sneha Pundlikrao Bondlewad	Date	04MAR2025
Approver	NO APPROVAL REQUIRED	Date	

B

A

Cummins Data Classification: **Cummins Confidential** This document (and the information shown thereon) is **Confidential and Proprietary** and shall not be disclosed to others in hard copy or electronic form, reproduced by any means, or used for any purpose without written consent of Cummins Inc.

Part Number: **A074D057** Part Revision: **C**
 Part Name: **ARRANGEMENT,GENERATOR GENERAL**
 Drawing Category: **Outline** State: **Released** Sheet 2 of 2

4

3

2

1